

Sensor/actuator box - SACB-4/ 4-L-C SCO



1516784

<https://www.phoenixcontact.com/de/produkte/1516784>

Please be informed that the data shown in this PDF document is generated from our Online Catalog. Please find the complete data in the user documentation. Our General Terms of Use for Downloads are valid.



Sensor/actuator box, application: Standard, connection method: M12-SPEEDCON-socket Metal, number of slots: 4, number of positions: 4, slot assignment: single, status display: yes, pnp; master cable connection: Pluggable screw connection 180°, shielding: no

Your advantages

- Safety in the field, thanks to molded housing and high degree of protection
- Convenient: increased machine availability thanks to quick and easy diagnostics
- Save time, thanks to installation with SPEEDCON fast locking system
- Flexible: distributor box with connector hood for on-site assembly

Commercial Data

Item number	1516784
Packing unit	1 pc
Minimum order quantity	1 pc
Sales Key	C1 - Sensor-Aktor-Kabel
Product Key	BF3CCD
Catalog Page	Page 264 (C-2-2019)
GTIN	4017918967512
Weight per Piece (including packing)	247,6 g
Weight per Piece (excluding packing)	240 g
Customs tariff number	85366990
Country of origin	DE

Sensor/actuator box - SACB-4/ 4-L-C SCO



1516784

<https://www.phoenixcontact.com/de/produkte/1516784>

Technical Data

Notes

Note regarding documentation	For details about the PCB connectors used, refer to the technical data for MC 1,5/10-STF-3,5 (1847204)
Assembly instruction:	NOTE: Observe the permissible bending radii when laying conductors, since the degree of protection may be put in jeopardy if the bending forces are too high. Alleviate mechanical loads upstream of the connector, e.g. by using cable ties.
Note on application	Unused slots are to be sealed off prior to commissioning. Suitable sealing elements are to be found under "Accessories".

Product properties

Product type	Distributor boxes with M8 to M12 slots
Number of positions	4
Application	Standard
Number of slots	4
Coding	A

Material specifications

Color	green
Material Threaded sleeve	Die-cast zinc
	PBT
	PUR
Flammability rating according to UL 94	V0
Seal material	NBR
Contact material	Cu alloy
Contact surface material	gold-plated
Contact carrier material	PA
Material of contact, master cable side	CU alloy
Material of the contact carrier on the master cable side	PA 6.6 V0
Material of contact surface, master cable side	gold-plated

Dimensions

Dimensional drawing	
Width	58 mm
Height	45 mm
Length	117 mm

Connection data

Sensor/actuator box - SACB-4/ 4-L-C SCO



1516784

<https://www.phoenixcontact.com/de/produkte/1516784>

Pin assignment

Slot/position = Wire color or connection	1 / 4 (A) = 1 / 4
	2 / 4 (A) = 2 / 4
	3 / 4 (A) = 3 / 4
	4 / 4 (A) = 4 / 4
	1-4 / 1 (+ 24 V) = U_N
	1-4 / 3 (0 V) = 0 V
	1-4 / 5 (PE) = PE

LED signaling

Status display present	yes
------------------------	-----

Electrical properties

Max. operating voltage U_{max}	30 V DC
Local diagnostics	Supply voltage per module Green LED
	Status display I/O Yellow LED
Nominal voltage U_N	24 V DC
Rated current, total	10 A
	2x 8 A (For electrical isolation)
Max. current carrying capacity per path	2 A
Current carrying capacity per slot	4 A

Cable/line

Sensor/actuator connection system	M12-SPEEDCON-socket
Connection method	Pluggable screw connection
External cable diameter	7 mm ... 12 mm
Metric conductor cross section (Signal)	0.14 mm ² ... 1.5 mm ²
Cross section AWG (Signal)	26 ... 16
Stripping length (signal)	7 mm
Metric conductor cross section (Power)	0.14 mm ² ... 1.5 mm ²
Cross section AWG (Power)	26 ... 16
Stripping length for sheath	50 mm (Master cable)
Tightening torque, cover screw	0.35 Nm
Tightening torque of mounting screw for fixing the housing	0.5 Nm
Tightening torque slot sensor/actuator cable	0.4 Nm
Tightening torque, union nut	2.5 Nm

Standards and regulations

Standards/specifications	IEC 61076-2-101
--------------------------	-----------------

Environmental and real-life conditions

Ambient conditions

Degree of protection	IP65
	IP67

Sensor/actuator box - SACB-4/ 4-L-C SCO



1516784

<https://www.phoenixcontact.com/de/produkte/1516784>

	IP69K
Ambient temperature (operation)	-30 °C ... 80 °C

Sensor/actuator box - SACB-4/ 4-L-C SCO

1516784

<https://www.phoenixcontact.com/de/produkte/1516784>

Drawings

Dimensional drawing



Schematic diagram



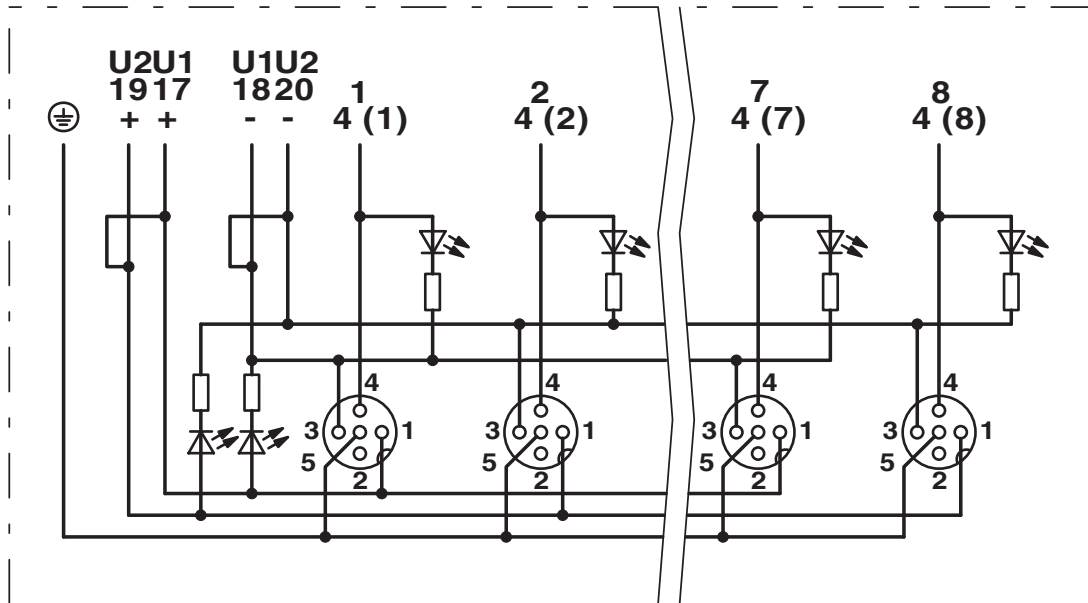
M12 slot, socket, 4-pos.

Sensor/actuator box - SACB-4/ 4-L-C SCO

1516784

<https://www.phoenixcontact.com/de/produkte/1516784>

Circuit diagram



Sensor/actuator box - SACB-4/ 4-L-C SCO

1516784

<https://www.phoenixcontact.com/de/produkte/1516784>

Schematic diagram



Electrically isolated. Potential assignment: U_{N1} = slots 1,3 and U_{N2} = slots 2,4.

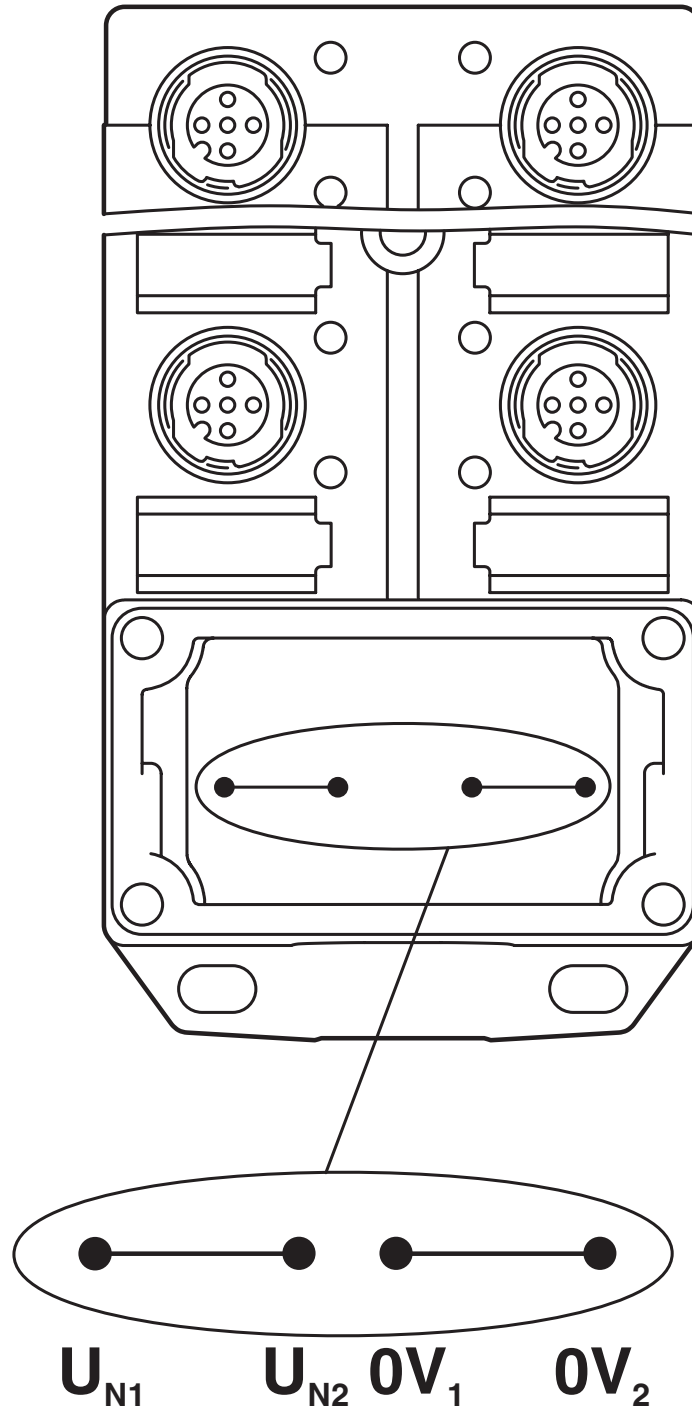
Sensor/actuator box - SACB-4/ 4-L-C SCO

1516784

<https://www.phoenixcontact.com/de/produkte/1516784>



Schematic diagram



Potential U_{N1} and U_{N2} bridged. Potential assignment: $U_{N1} = U_{N2} = \text{slots } 1,2,3,4$.

Sensor/actuator box - SACB-4/ 4-L-C SCO



1516784

<https://www.phoenixcontact.com/de/produkte/1516784>

Approvals

 cUL Recognized Approval ID: FILE E 118976				
	Nominal Voltage U_N	Nominal Current I_N	Cross Section AWG	Cross Section mm^2
	24 V	3 A	-	-

 UL Recognized Approval ID: FILE E 118976				
	Nominal Voltage U_N	Nominal Current I_N	Cross Section AWG	Cross Section mm^2
	24 V	3 A	-	-

cULus Recognized

Sensor/actuator box - SACB-4/ 4-L-C SCO



1516784

<https://www.phoenixcontact.com/de/produkte/1516784>

Classifications

ECLASS

ECLASS-9.0	27440108
ECLASS-10.0.1	27440111
ECLASS-11.0	27440111

ETIM

ETIM 8.0	EC003558
----------	----------

UNSPSC

UNSPSC 21.0	31251500
-------------	----------

Sensor/actuator box - SACB-4/ 4-L-C SCO



1516784

<https://www.phoenixcontact.com/de/produkte/1516784>

Environmental Product Compliance

China RoHS	Environmentally Friendly Use Period = 50 years For information on hazardous substances, refer to the manufacturer's declaration available under "Downloads"
------------	--

Phoenix Contact 2023 © - all rights reserved
<https://www.phoenixcontact.com>

PHOENIX CONTACT Deutschland GmbH
Flachmarktstraße 8
D-32825 Blomberg
+49 52 35/3-1 20 00
info@phoenixcontact.de