

Double valve connector cable - SAC- 5,0/0,15-116/2XA-1L-Z



1458046

<https://www.phoenixcontact.com/pc/products/1458046>

Please be informed that the data shown in this PDF document is generated from our Online Catalog. Please find the complete data in the user documentation. Our General Terms of Use for Downloads are valid.



Double valve connector cable, 4-position, PUR/PVC, black, free cable end, on Valve connector A, with 1 LED, connected with Z diode and Valve connector A, with 1 LED, connected with Z diode, cable length: 5 m, valve connector spacing: 0.15 m

Your advantages

- Easy and safe: 100% electrically tested plug-in components
- Efficient: control valves with two connections via a single connecting cable
- Convenient: increased machine availability thanks to quick and easy diagnostics

Commercial Data

Item number	1458046
Packing unit	1 pc
Minimum order quantity	1 pc
Product Key	BF1DGA
Catalog Page	Page 243 (C-2-2019)
GTIN	4046356638463
Weight per Piece (including packing)	372.2 g
Weight per Piece (excluding packing)	364.1 g
Customs tariff number	85444290
Country of origin	PL

Double valve connector cable - SAC- 5,0/0,15-116/2XA-1L-Z



1458046

<https://www.phoenixcontact.com/pc/products/1458046>

Technical Data

Product properties

Product type	Sensor/actuator cable with valve connector
Number of positions	4
Application	Standard
No. of cable outlets	1
Shielded	no

Insulation characteristics

Overvoltage category	II
Degree of pollution	3

Material specifications

Flammability rating according to UL 94	HB
Sealing material	TPU (Seal molded)
Material housing valve plug	TPU
Contact material	CuSn
Valve plug contact insert material	PA 6.6
Contact surface material	Sn

Electrical properties

Contact resistance	$\leq 5 \text{ m}\Omega$
Insulation resistance	$\geq 100 \text{ M}\Omega$
Nominal voltage U_N	24 V AC
	24 V DC
Nominal current I_N	4 A
Protective circuit	Z diode

Valve connector characteristics

Fixing screws	M3 x 29
Pulse power	40 W (at 100 μs square-wave pulse)
Terminal voltage	70 V (at 2 mA constant current)
Reverse voltage	50 V

Mechanical properties

Mechanical data

Insertion/withdrawal cycles	50
-----------------------------	----

LED signaling

Status display	1 LED
Status display present	yes

Connector

Double valve connector cable - SAC- 5,0/0,15-116/2XA-1L-Z

1458046

<https://www.phoenixcontact.com/pc/products/1458046>

Connection 1

Head design	free cable end
-------------	----------------


Connection 2

Head design	Valve connector
Head thread type	A
Status indicator head	1 LED

Cable / line

Cable length	5 m
	0.15 m

PUR/PVC, 0.75 mm², black [116]

Dimensional drawing	
UL AWM Style	20549
Number of positions	4
Shielded	no
Cable type	PUR/PVC, 0.75 mm ² , black [116]
Conductor structure signal line	24x 0.20 mm
AWG signal line	18
Conductor cross section	4x 0.75 mm ²
Wire diameter incl. insulation	1.7 mm ±0.05 mm
External cable diameter	6.3 mm ±0.2 mm
Outer sheath, material	PUR
External sheath, color	black
Conductor material	Bare Cu litz wires
Material wire insulation	PVC
Single wire, color	Black 1, black 2, black 3, green/yellow
Overall twist	4 wires, twisted
Max. conductor resistance	26 Ω/km (at 20 °C)
Insulation resistance	≥ 20 MΩ*km
Nominal voltage, cable	300 V
Test voltage	1200 V
Smallest bending radius, fixed installation	63 mm
Flame resistance	according to DIN VDE 0482
	According to DIN EN 50265-2-1
	in acc. with UL FT-2

Double valve connector cable - SAC- 5,0/0,15-116/2XA-1L-Z



1458046

<https://www.phoenixcontact.com/pc/products/1458046>

Ambient temperature (operation)	-5 °C ... 80 °C (Cable, flexible installation)
	-40 °C ... 80 °C (cable, fixed installation)

Ambient conditions

Degree of protection	IP65
	IP67
Ambient temperature (operation)	-25 °C ... 85 °C (valve plug)

Standards and regulations

Valve connector

Standards/specifications	EN 175301-803
--------------------------	---------------

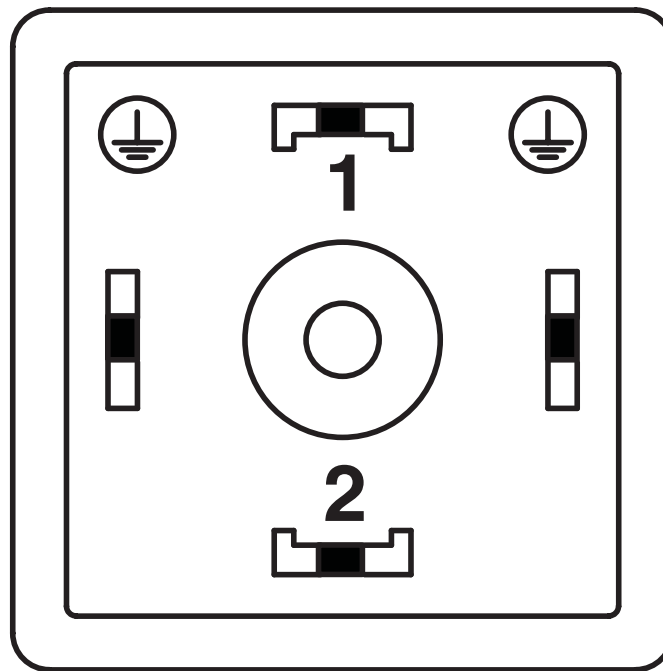
Double valve connector cable - SAC- 5,0/0,15-116/2XA-1L-Z

1458046

<https://www.phoenixcontact.com/pc/products/1458046>

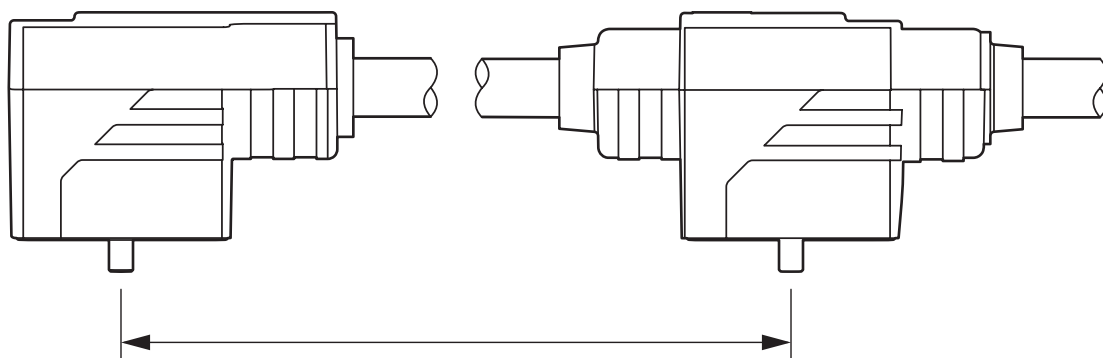
Drawings

Schematic diagram



Valve connector pin assignment, type A

Dimensional drawing



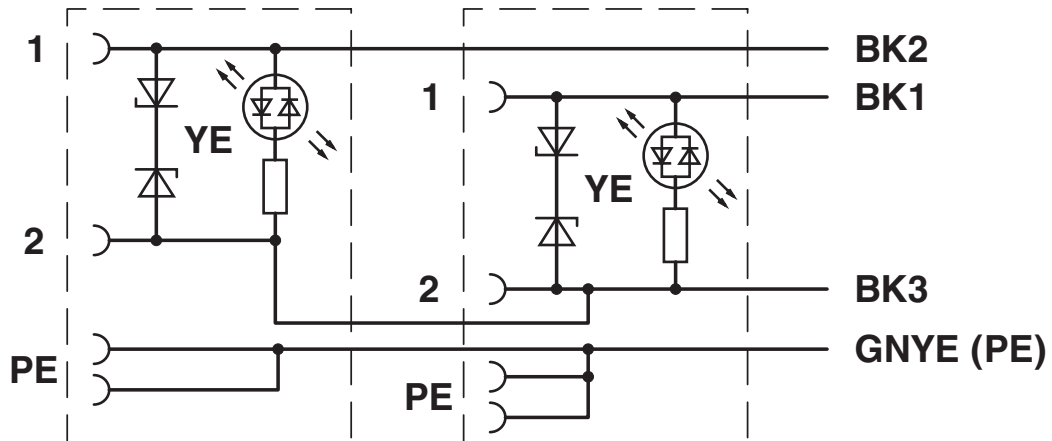
Valve connector spacing

Double valve connector cable - SAC- 5,0/0,15-116/2XA-1L-Z

1458046

<https://www.phoenixcontact.com/pc/products/1458046>

Circuit diagram

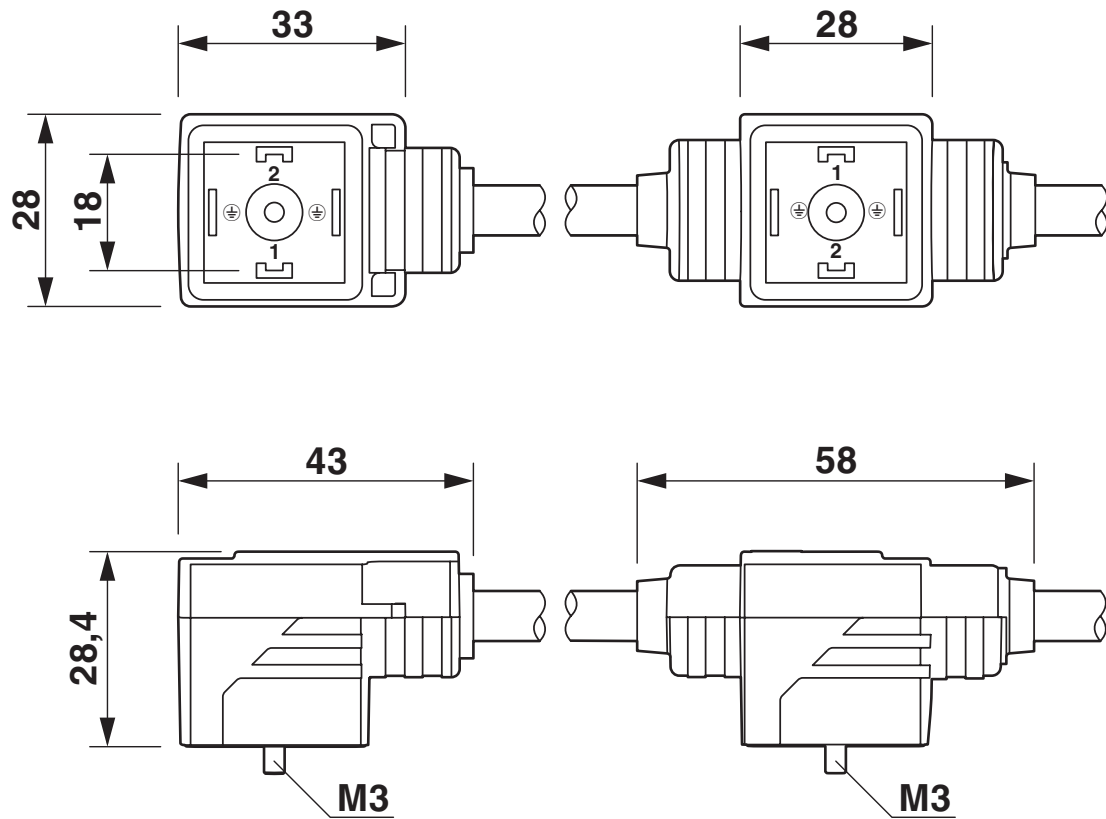


Double valve connector cable - SAC- 5,0/0,15-116/2XA-1L-Z

1458046

<https://www.phoenixcontact.com/pc/products/1458046>

Dimensional drawing



Double valve connector, 2x type A

Double valve connector cable - SAC- 5,0/0,15-116/2XA-1L-Z





1458046

<https://www.phoenixcontact.com/pc/products/1458046>

Approvals

 CSA Approval ID: 13631				
	Nominal Voltage U_N	Nominal Current I_N	Cross Section AWG	Cross Section mm^2
	24 V	4 A	-	-

 EAC Approval ID: RU C-DE.BL08.B.00286				
---	--	--	--	--

 EAC Approval ID: RU D-DE.HB35.B.00387				
---	--	--	--	--

 CSAus Approval ID: 13631				
	Nominal Voltage U_N	Nominal Current I_N	Cross Section AWG	Cross Section mm^2
	24 V	4 A	-	-

cCSAus				
---------------	--	--	--	--

Double valve connector cable - SAC- 5,0/0,15-116/2XA-1L-Z



1458046

<https://www.phoenixcontact.com/pc/products/1458046>

Classifications

ECLASS

ECLASS-9.0	27060312
ECLASS-10.0.1	27060312
ECLASS-11.0	27060312

ETIM

ETIM 8.0	EC001855
----------	----------

UNSPSC

UNSPSC 21.0	31251500
-------------	----------

Double valve connector cable - SAC- 5,0/0,15-116/2XA-1L-Z



1458046

<https://www.phoenixcontact.com/pc/products/1458046>

Environmental Product Compliance

China RoHS	Environmentally Friendly Use Period = 50 years For information on hazardous substances, refer to the manufacturer's declaration available under "Downloads"
------------	--

Double valve connector cable - SAC- 5,0/0,15-116/2XA-1L-Z

1458046

<https://www.phoenixcontact.com/pc/products/1458046>

Accessories

Torque screwdriver

Torque screwdriver - TSD-M 1,2NM - 1212224

<https://www.phoenixcontact.com/pc/products/1212224>



Torque screw driver, accuracy as per EN ISO 6789 standard, adjustable from 0.3 - 1.2 Nm

Screw insert

Screw insert - SF-BIT-PH 1-70 - 1212582

<https://www.phoenixcontact.com/pc/products/1212582>



Screw bit, PH crosshead, E6.3-1/4" drive, size: PH 1 x 70 mm, hardened, suitable for holder according to DIN 3126-F6.3/ISO 1173

Double valve connector cable - SAC- 5,0/0,15-116/2XA-1L-Z

1458046

<https://www.phoenixcontact.com/pc/products/1458046>

Insert label

Insert label - PABA WH/23 - 1013779

<https://www.phoenixcontact.com/pc/products/1013779>



Insert label, Strip, white, unlabeled, can be labeled with: CMS-P1-PLOTTER, mounting type: slide-on, cable diameter range: 1.5 ... 35 mm, lettering field size: 23 x 4 mm, Number of individual labels: 20

Insert label

Insert label - PABA YE/23 - 1013782

<https://www.phoenixcontact.com/pc/products/1013782>



Insert label, Strip, yellow, unlabeled, can be labeled with: CMS-P1-PLOTTER, mounting type: slide-on, cable diameter range: 1.5 ... 35 mm, lettering field size: 23 x 4 mm, Number of individual labels: 20

Double valve connector cable - SAC- 5,0/0,15-116/2XA-1L-Z

1458046

<https://www.phoenixcontact.com/pc/products/1458046>

Marker pen

Marker pen - B-STIFT - 1051993

<https://www.phoenixcontact.com/pc/products/1051993>



Marker pen, for manual labeling of unprinted Zack strips, smear-proof and waterproof, line thickness 0.5 mm

Diagonal cutter

Diagonal cutter - CUTFOX-S VDE - 1212207

<https://www.phoenixcontact.com/pc/products/1212207>



Diagonal cutter for hard (piano wire) and soft wires, VDE 1000 V AC/1500 V DC tested

Double valve connector cable - SAC- 5,0/0,15-116/2XA-1L-Z

1458046

<https://www.phoenixcontact.com/pc/products/1458046>

Stripping tool

Stripping tool - WIREFOX SAC-1 - 1212757

<https://www.phoenixcontact.com/pc/products/1212757>



Stripping pliers, for halogen-free sensor/actuator cables (SAC cables), with PUR and PVC insulation, from Ø of 3.2 to 4.4 mm, any stripping length

Stripping tool

Stripping tool - WIREFOX SAC - 1212623

<https://www.phoenixcontact.com/pc/products/1212623>



Stripping pliers, for halogen-free sensor/actuator cables (SAC cables), with PUR and PVC insulation, from Ø of 4.4 to 7 mm, any stripping length

Double valve connector cable - SAC- 5,0/0,15-116/2XA-1L-Z

1458046

<https://www.phoenixcontact.com/pc/products/1458046>

Stripping tool

Stripping tool - WIREFOX 10 - 1212150

<https://www.phoenixcontact.com/pc/products/1212150>



Stripping tool, for cables and conductors from 0.02 - 10 mm², self-adjusting, stripping length of up to 18 mm, cutting capacity of up to 10 mm² stranded/1.5 mm² solid, replaceable stripping blade

Protective hose adapter

Protective hose adapter - WP-CTA POM 13,0 BK - 1422884

<https://www.phoenixcontact.com/pc/products/1422884>



Protective hose adapter, for corrugated hoses with a nominal size of 13 (10 x 13), corrugated in parallel

Double valve connector cable - SAC- 5,0/0,15-116/2XA-1L-Z

1458046

<https://www.phoenixcontact.com/pc/products/1458046>

Protective hose

Protective hose - WP-PA HF 13,0 BK - 3240681

<https://www.phoenixcontact.com/pc/products/3240681>



Protective hose, material: PA 6, UV-resistant: yes, flexible, degree of protection: IP68, color: black, flammability rating in acc. with UL 94: V0, inner diameter: 10 mm, Total length: 50 m

Protective hose

Protective hose - WP-PA HF-HB 13,0 BK - 3240839

<https://www.phoenixcontact.com/pc/products/3240839>



Protective hose, material: PA 6, UV-resistant: yes, flexible, degree of protection: IP68, color: black, flammability rating in acc. with UL 94: HB, inner diameter: 10 mm, Total length: 50 m

Phoenix Contact 2023 © - all rights reserved
<https://www.phoenixcontact.com>

PHOENIX CONTACT GmbH & Co. KG
Flachsmarktstraße 8
D-32825 Blomberg
+49 (0) 5235-3 00
info@phoenixcontact.com