

# Flush-type connector - SACC-CI-M12MS- 12CON-TOR 32



1457571

<https://www.phoenixcontact.com/pc/products/1457571>

Please be informed that the data shown in this PDF document is generated from our Online Catalog. Please find the complete data in the user documentation. Our General Terms of Use for Downloads are valid.

---



Sensor/actuator flush-type plug, 12-pos., A-coded, with straight THR solder connection, contact insert only

---

## Your advantages

- Reduced mounting costs thanks to two-piece device connector
- Packaging available for automated pick and place assembly
- All common pin assignments and codings available
- Easy device integration thanks to mechanical port screw connections with threaded attachment, press-in contour or direct integration in the front plate
- Additional gasket for the device when not plugged in

# Flush-type connector - SACC-CI-M12MS- 12CON-TOR 32



1457571

<https://www.phoenixcontact.com/pc/products/1457571>

## Commercial Data

Item number	1457571
Packing unit	100 pc
Minimum order quantity	100 pc
Note	Made to Order (non-returnable)
Product Key	ABQCBE
Catalog Page	Page 256 (C-2-2013)
GTIN	4046356617321
Weight per Piece (including packing)	7.4 g
Weight per Piece (excluding packing)	7.4 g
Customs tariff number	85366930
Country of origin	DE

# Flush-type connector - SACC-CI-M12MS- 12CON-TOR 32



1457571

<https://www.phoenixcontact.com/pc/products/1457571>

## Technical Data

### Notes

Notes on operation	The electrical and mechanical data specified assume that the connector pair is correctly locked and mounted. If the connector is unlocked and if there is a danger of contamination, the connector must be sealed using a protective cap > IP54. Influences arising from litz wires, cables or PCB assembly must also be taken into consideration.
--------------------	--

### Product properties

Product type	Contact insert
Number of positions	12
Coding	A - standard

### Insulation characteristics

Overvoltage category	III
Degree of pollution	3

### Electrical properties

Rated surge voltage	0.8 kV
Contact resistance	$\leq 3 \text{ m}\Omega$
Insulation resistance	$\geq 100 \text{ M}\Omega$
Nominal voltage $U_N$	30 V
Nominal current $I_N$	1.5 A

### LED signaling

Status display	No
Status display present	No

### Material specifications

Flammability rating according to UL 94	V0
Sealing material	FKM / EPDM
Contact material	CuZn
Contact surface material	Ni/Au
Contact carrier material	PA 6.6

### Connector

Insertion/withdrawal cycles	> 100
-----------------------------	-------

### Cable / line

#### Ambient conditions

Ambient temperature (operation)	-25 °C ... 85 °C (Cable, flexible installation)
	-40 °C ... 85 °C (cable, fixed installation)

### Environmental and real-life conditions

# Flush-type connector - SACC-CI-M12MS- 12CON-TOR 32



1457571

<https://www.phoenixcontact.com/pc/products/1457571>

## Ambient conditions

Degree of protection (when plugged in)	IP67 (correctly plugged in and locked)
Degree of protection	IP67 (correctly plugged in and locked)
Degree of protection	IP67
Ambient temperature (operation)	-25 °C ... 85 °C (Plug / socket)
	-40 °C ... 85 °C (without mechanical actuation)
	-25 °C ... 85 °C (Cable, flexible installation)
	-40 °C ... 85 °C (cable, fixed installation)

## Standards and regulations

### M12

Standards/specifications	IEC 61076-2-101
--------------------------	-----------------

## Mounting

Mounting type	PCB mounting
---------------	--------------

## Packaging specifications

Type of packaging	Belt
Delivery state	with assembly pad

# Flush-type connector - SACC-CI-M12MS- 12CON-TOR 32

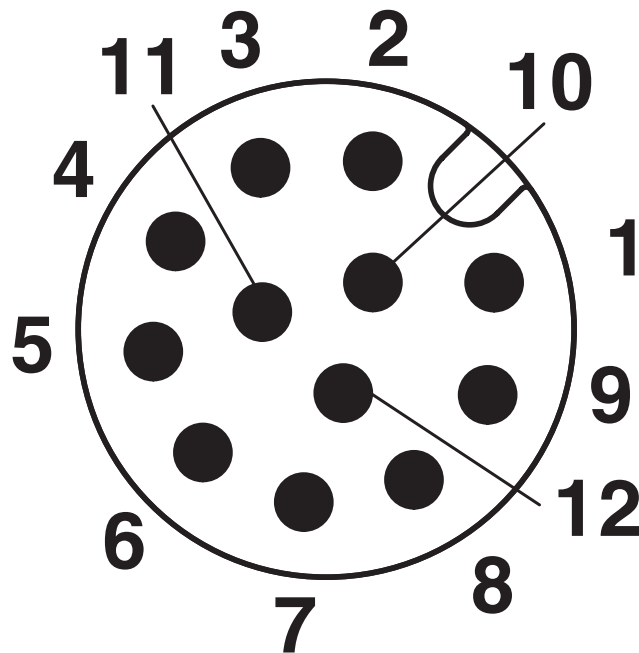


1457571

<https://www.phoenixcontact.com/pc/products/1457571>

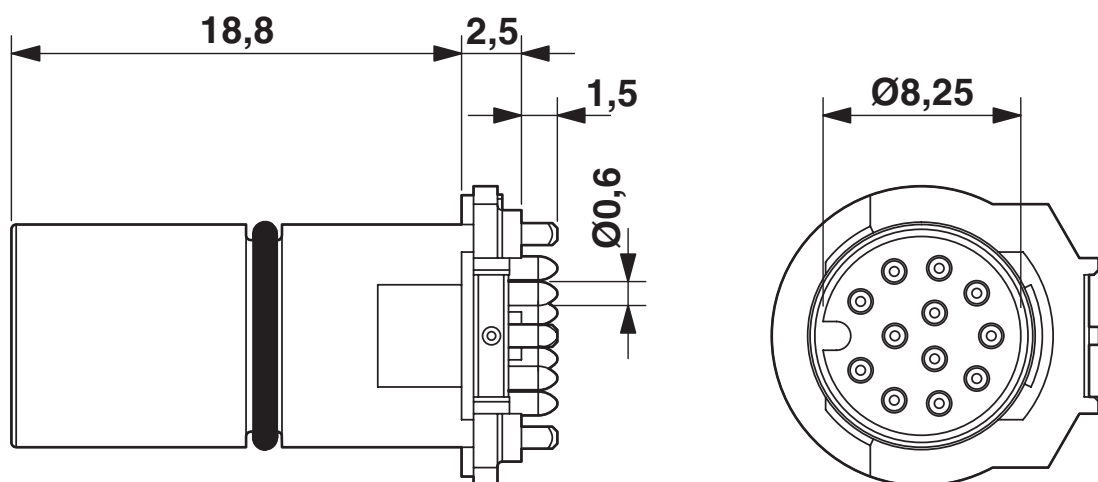
## Drawings

Schematic diagram



Pin assignment of M12 male connector, 12-pos., A-coded, view of connector side

Dimensional drawing



M12 male connector contact carrier

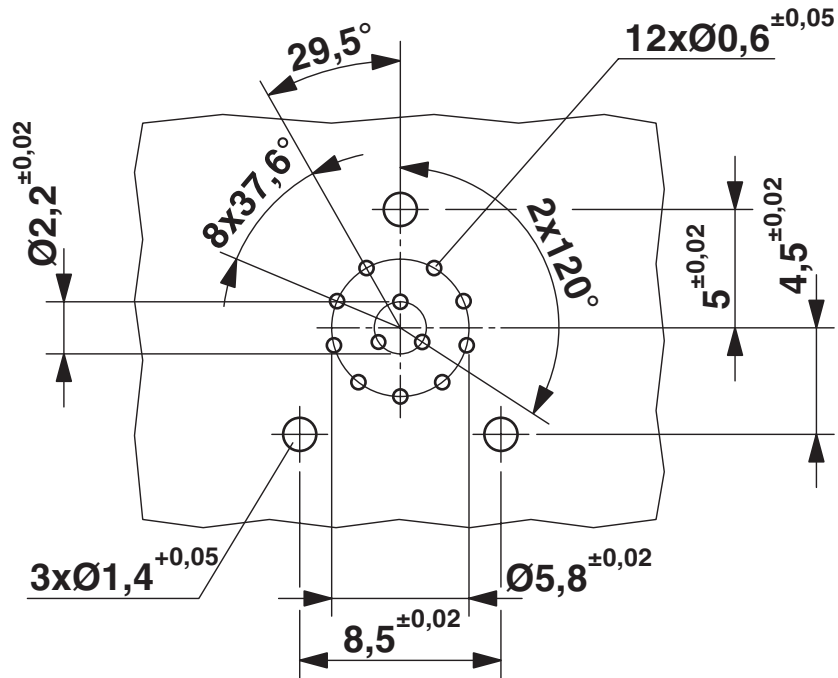
# Flush-type connector - SACC-CI-M12MS- 12CON-TOR 32



1457571

<https://www.phoenixcontact.com/pc/products/1457571>

Drilling plan/solder pad geometry



Drilling diagram


# Flush-type connector - SACC-CI-M12MS- 12CON-TOR 32




1457571

<https://www.phoenixcontact.com/pc/products/1457571>

## Approvals

 <b>UL Recognized</b> Approval ID: FILE E 118976	Nominal Voltage $U_N$	Nominal Current $I_N$	Cross Section AWG	Cross Section $\text{mm}^2$
	30 V	1.5 A	- 26	-

 <b>EAC</b> Approval ID: B.01687
--

# Flush-type connector - SACC-CI-M12MS- 12CON-TOR 32



1457571

<https://www.phoenixcontact.com/pc/products/1457571>

## Classifications

### ECLASS

ECLASS-10.0.1	27440102
ECLASS-9.0	27440102
ECLASS-11.0	27440102

### ETIM

ETIM 8.0	EC002635
----------	----------

### UNSPSC

UNSPSC 21.0	39121400
-------------	----------

# Flush-type connector - SACC-CI-M12MS- 12CON-TOR 32



1457571

<https://www.phoenixcontact.com/pc/products/1457571>

## Environmental Product Compliance

REACH SVHC	Lead 7439-92-1
China RoHS	Environmentally Friendly Use Period = 50 years
	For information on hazardous substances, refer to the manufacturer's declaration available under "Downloads"

# Flush-type connector - SACC-CI-M12MS- 12CON-TOR 32



1457571

<https://www.phoenixcontact.com/pc/products/1457571>

## Accessories

### Sealing cap

Sealing cap - PROT-M12 FS - 1560251

<https://www.phoenixcontact.com/pc/products/1560251>



M12 sealing cap for unoccupied M12 plugs of the sensor/actuator cable, flush-type plugs and I/O devices in the field

---

### Housing screw connection

Housing screw connection - SACC-M12-SCO PLUG - 1551493

<https://www.phoenixcontact.com/pc/products/1551493>



M12 SPEEDCON housing screw connection for M12 male inserts, with O-ring, for all SPEEDCON-capable THR and wave soldering contact carriers

# Flush-type connector - SACC-CI-M12MS- 12CON-TOR 32



1457571

<https://www.phoenixcontact.com/pc/products/1457571>

## Sealing cap

Sealing cap - PROT-M12 FS-M - 1430488

<https://www.phoenixcontact.com/pc/products/1430488>



M12 metal sealing cap for unoccupied M12 plugs of the sensor/actuator cable, flush-type plugs and I/O devices in the field

---

## Housing screw connection

Housing screw connection - SACC-DSIV-M12-PLUG - 1416145

<https://www.phoenixcontact.com/pc/products/1416145>



Housing screw connection with M12 standard thread, with O-ring, for the two-piece straight M12 THR contact carrier and for the two-piece angled M12 contact carrier

# Flush-type connector - SACC-CI-M12MS- 12CON-TOR 32



1457571

<https://www.phoenixcontact.com/pc/products/1457571>

## Sample set

Sample set - SACC-CIM12MS12PL180THRSHSAMPLE - 1413554

<https://www.phoenixcontact.com/pc/products/1413554>



Sensor/actuator flush-type plug, 12-pos. with shroud, A-coded, with straight THR solder connection, contact insert only

---

## Housing screw connection

Housing screw connection - SACC-M12-SCO PLUG L90 - 1436709

<https://www.phoenixcontact.com/pc/products/1436709>



M12-SPEEDCON housing screw connection for M12 male inserts, with flat gasket, for all Speedcon-compatible THR and wave soldering contact carriers

# Flush-type connector - SACC-CI-M12MS- 12CON-TOR 32



1457571

<https://www.phoenixcontact.com/pc/products/1457571>

## Housing screw connection

Housing screw connection - SACC-BP-M-M12/M15-6-THR - 1413997

<https://www.phoenixcontact.com/pc/products/1413997>



Housing screw connection, Plug, M12, Rear mounting, M15 x 1

---

## Housing screw connection

Housing screw connection - SACC-BP-M-M12/M15-7-THR - 1413996

<https://www.phoenixcontact.com/pc/products/1413996>



Housing screw connection, Plug, M12, Rear mounting, M15 x 1

# Flush-type connector - SACC-CI-M12MS- 12CON-TOR 32



1457571

<https://www.phoenixcontact.com/pc/products/1457571>

## Housing screw connection

Housing screw connection - SACC-BP-M-M12/M15-6-THR SCO - 1413999

<https://www.phoenixcontact.com/pc/products/1413999>



M12 SPEEDCON housing screw connection for M12 male inserts, with O-ring, for all SPEEDCON-capable THR and wave soldering contact carriers

---

## Housing screw connection

Housing screw connection - SACC-BP-M-M12/M15-7-THR SCO - 1413998

<https://www.phoenixcontact.com/pc/products/1413998>



Housing screw connection, Plug, M12-SPEEDCON, Rear mounting, M15 x 1

# Flush-type connector - SACC-CI-M12MS- 12CON-TOR 32



1457571

<https://www.phoenixcontact.com/pc/products/1457571>

## Housing screw connection

Housing screw connection - SACC-M12 PLUG PRESS - 1437892

<https://www.phoenixcontact.com/pc/products/1437892>



M12 pin, housing screw connection, press-in version, for all Speedcon-compatible THR and wave soldering contact carriers

---

## Housing screw connection

Housing screw connection - SACC-DSIV-M12-PLUG-9 THR - 1417984

<https://www.phoenixcontact.com/pc/products/1417984>



M12 pin, front mounting THR with M14 screw fastening

# Flush-type connector - SACC-CI-M12MS- 12CON-TOR 32



1457571

<https://www.phoenixcontact.com/pc/products/1457571>

## Housing screw connection

Housing screw connection - SACC-BP-M-M12-THR PP - 1027661

<https://www.phoenixcontact.com/pc/products/1027661>



Housing screw connection, Plug, M12-Push-Pull, Rear mounting, M15 x 1, THR- und Wellenlötkontakte

---

## Housing screw connection

Housing screw connection - SACC-FP-M-M12-THR PP - 1027679

<https://www.phoenixcontact.com/pc/products/1027679>



Housing screw connection, Plug, M12-Push-Pull, Front mounting, THR- und Wellenlötkontakte

---

Phoenix Contact 2022 © - all rights reserved  
<https://www.phoenixcontact.com>

PHOENIX CONTACT GmbH & Co. KG  
Flachsmarktstraße 8  
D-32825 Blomberg  
+49 (0) 5235-3 00  
[info@phoenixcontact.com](mailto:info@phoenixcontact.com)