

Flush-type connector - SACC-CI-M12FS-12CON-L180 THRSH



1442052

<https://www.phoenixcontact.com/us/products/1442052>

Please be informed that the data shown in this PDF document is generated from our Online Catalog. Please find the complete data in the user documentation. Our General Terms of Use for Downloads are valid.



Sensor/actuator flush-type socket, 12-pos. with shroud, A-coded, with straight THR solder connection, contact insert only

Your advantages

- Reduced mounting costs thanks to two-piece device connector
- Packaging available for automated pick and place assembly
- All common pin assignments and codings available
- Easy device integration thanks to mechanical port screw connections with threaded attachment, press-in contour or direct integration in the front plate
- Additional gasket for the device when not plugged in

Flush-type connector - SACC-CI-M12FS-12CON-L180 THRSH



1442052

<https://www.phoenixcontact.com/us/products/1442052>

Commercial Data

| | |
|--------------------------------------|---------------------|
| Item number | 1442052 |
| Packing unit | 1 pc |
| Minimum order quantity | 60 pc |
| Sales Key | A11 |
| Product Key | ABQCBF |
| Catalog Page | Page 257 (C-2-2013) |
| GTIN | 4046356533126 |
| Weight per Piece (including packing) | 5.47 g |
| Weight per Piece (excluding packing) | 4.9 g |
| Customs tariff number | 85366990 |
| Country of origin | DE |

Flush-type connector - SACC-CI-M12FS-12CON-L180 THRSH



1442052

<https://www.phoenixcontact.com/us/products/1442052>

Technical Data

Notes

| | |
|--------------------|--|
| Notes on operation | The electrical and mechanical data specified assume that the connector pair is correctly locked and mounted. If the connector is unlocked and if there is a danger of contamination, the connector must be sealed using a protective cap > IP54. Influences arising from litz wires, cables or PCB assembly must also be taken into consideration. |
|--------------------|--|

Product properties

| | |
|---------------------|----------------|
| Product type | Contact insert |
| Number of positions | 12 |
| Coding | A - standard |

Insulation characteristics

| | |
|----------------------|-----|
| Overvoltage category | III |
| Degree of pollution | 3 |

Electrical properties

| | |
|-----------------------|----------------------------|
| Rated surge voltage | 0.8 kV |
| Contact resistance | $\leq 3 \text{ m}\Omega$ |
| Insulation resistance | $\geq 100 \text{ M}\Omega$ |
| Nominal voltage U_N | 30 V |
| Nominal current I_N | 1.5 A |

LED signaling

| | |
|------------------------|----|
| Status display | No |
| Status display present | No |

Material specifications

| | |
|--|------|
| Flammability rating according to UL 94 | V0 |
| Sealing material | FKM |
| Contact material | CuZn |
| Contact surface material | Au |
| Contact carrier material | PPA |

Connector

| | |
|-----------------------------|-------|
| Insertion/withdrawal cycles | > 100 |
|-----------------------------|-------|

Cable / line

Ambient conditions

| | |
|---------------------------------|---|
| Ambient temperature (operation) | -25 °C ... 85 °C (Cable, flexible installation) |
| | -40 °C ... 85 °C (cable, fixed installation) |

Environmental and real-life conditions

Flush-type connector - SACC-CI-M12FS-12CON-L180 THRSH



1442052

<https://www.phoenixcontact.com/us/products/1442052>

Ambient conditions

| | |
|--|---|
| Degree of protection (when plugged in) | IP67 (correctly plugged in and locked) |
| Degree of protection | IP67 (correctly plugged in and locked) |
| Degree of protection | IP67 |
| Ambient temperature (operation) | -25 °C ... 85 °C (Plug / socket) |
| | -40 °C ... 85 °C (without mechanical actuation) |
| | -25 °C ... 85 °C (Cable, flexible installation) |
| | -40 °C ... 85 °C (cable, fixed installation) |

Standards and regulations

M12

| | |
|--------------------------|-----------------|
| Standards/specifications | IEC 61076-2-101 |
|--------------------------|-----------------|

Mounting

| | |
|---------------|--------------|
| Mounting type | PCB mounting |
|---------------|--------------|

Packaging specifications

| | |
|-------------------|-------------------|
| Type of packaging | Tray |
| Delivery state | with assembly pad |

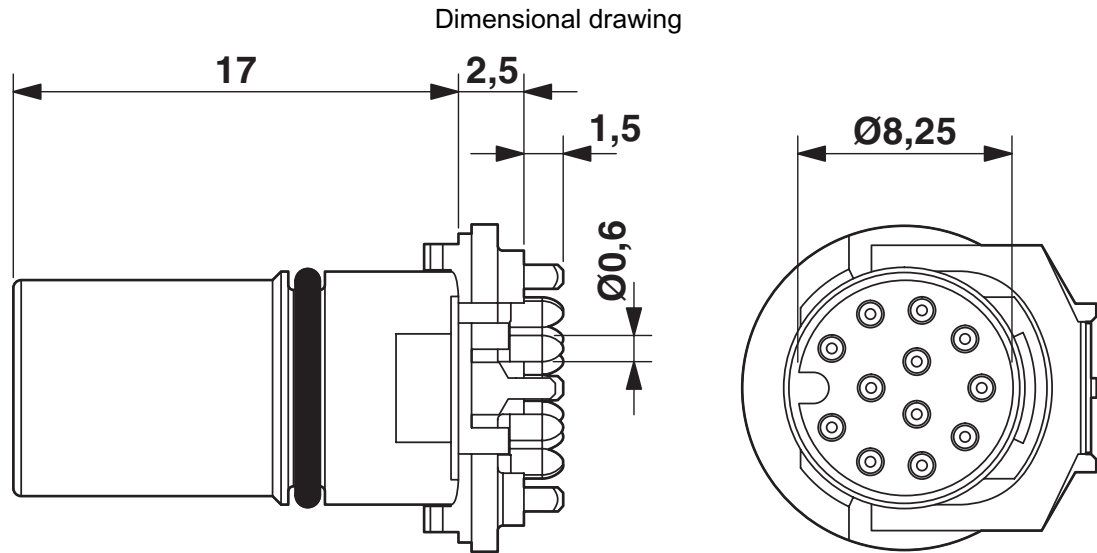
Flush-type connector - SACC-CI-M12FS-12CON-L180 THRSH



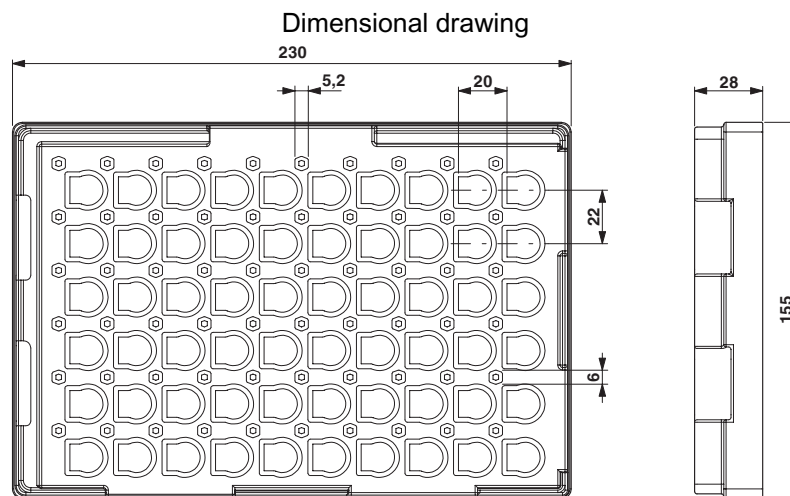
1442052

<https://www.phoenixcontact.com/us/products/1442052>

Drawings



M12 socket, straight



THR tray packaging

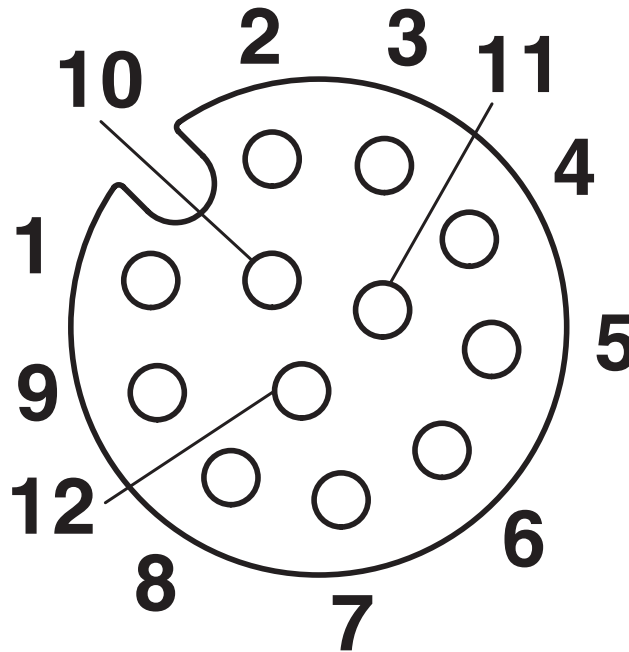
Flush-type connector - SACC-CI-M12FS-12CON-L180 THRSH



1442052

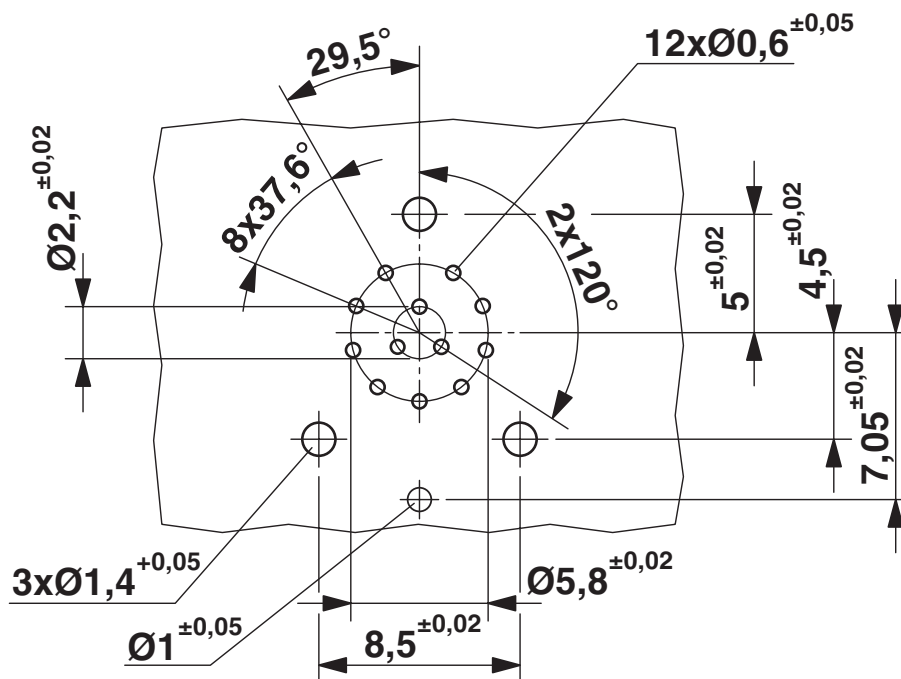
<https://www.phoenixcontact.com/us/products/1442052>

Schematic diagram



Pin assignment M12 socket, 12-pos., A-coded, view female side

Drilling plan/solder pad geometry



Drilling diagram

Flush-type connector - SACC-CI-M12FS-12CON-L180 THRSH



1442052

<https://www.phoenixcontact.com/us/products/1442052>

Approvals



EAC

Approval ID: B.01687



UL Recognized

Approval ID: FILE E 118976

| | Nominal Voltage U_N | Nominal Current I_N | Cross Section AWG | Cross Section mm^2 |
|--|-----------------------|-----------------------|-------------------|-----------------------------|
| | 30 V | 1.5 A | - 26 | - |

Flush-type connector - SACC-CI-M12FS-12CON-L180 THRSH



1442052

<https://www.phoenixcontact.com/us/products/1442052>

Classifications

ECLASS

| | |
|---------------|----------|
| ECLASS-10.0.1 | 27440102 |
| ECLASS-9.0 | 27440102 |
| ECLASS-11.0 | 27440102 |

ETIM

| | |
|----------|----------|
| ETIM 8.0 | EC002635 |
|----------|----------|

UNSPSC

| | |
|-------------|----------|
| UNSPSC 21.0 | 39121400 |
|-------------|----------|

Flush-type connector - SACC-CI-M12FS-12CON-L180 THRSH



1442052

<https://www.phoenixcontact.com/us/products/1442052>

Environmental Product Compliance

| | |
|------------|--|
| REACH SVHC | Lead 7439-92-1 |
| China RoHS | Environmentally Friendly Use Period = 50 years |
| | For information on hazardous substances, refer to the manufacturer's declaration available under "Downloads" |

Flush-type connector - SACC-CI-M12FS-12CON-L180 THRSH



1442052

<https://www.phoenixcontact.com/us/products/1442052>

Accessories

Screw plug

Screw plug - PROT-M12 - 1680539

<https://www.phoenixcontact.com/us/products/1680539>



An M12 screw plug for the unoccupied M12 sockets of the sensor/actuator cable, boxes and flush-type connectors

Housing screw connection

Housing screw connection - SACC-M12-SCO NUT - 1552243

<https://www.phoenixcontact.com/us/products/1552243>



M12 SPEEDCON housing screw connection for M12 female inserts, with O-ring, for all SPEEDCON-capable THR and wave soldering contact carriers

Flush-type connector - SACC-CI-M12FS-12CON-L180 THRSH



1442052

<https://www.phoenixcontact.com/us/products/1442052>

Screw plug

Screw plug - PROT-M12 SH - 1503302

<https://www.phoenixcontact.com/us/products/1503302>



An M12 screw plug for the unoccupied M12 sockets of the shielded sensor/actuator cable, boxes and flush-type connectors

Housing screw connection

Housing screw connection - SACC-DSIV-M12-NUT - 1416144

<https://www.phoenixcontact.com/us/products/1416144>



Housing screw connection with M12 standard thread, with O-ring, for the two-piece straight M12 THR contact carrier and for the two-piece angled M12 contact carrier

Flush-type connector - SACC-CI-M12FS-12CON-L180 THRSH



1442052

<https://www.phoenixcontact.com/us/products/1442052>

Screw plug

Screw plug - PROT-M12 FB - 1555538

<https://www.phoenixcontact.com/us/products/1555538>



M12 high-grade steel screw plug, for unoccupied M12 sockets of the sensor/actuator cables, boxes and flush-type connectors for the food industry

Housing screw connection

Housing screw connection - SACC-M12-SCO NUT L 90 - 1432460

<https://www.phoenixcontact.com/us/products/1432460>



M12-SPEEDCON housing screw connection for M12 female inserts, with flat gasket, for all Speedcon-compatible THR and wave soldering contact carriers

Flush-type connector - SACC-CI-M12FS-12CON-L180 THRSH



1442052

<https://www.phoenixcontact.com/us/products/1442052>

Sample set

Sample set - SACC-CIM12FS12PL180THRSHSAMPLE - 1413562

<https://www.phoenixcontact.com/us/products/1413562>



Sensor/actuator flush-type socket, 12-pos. with shroud, A-coded, with straight THR solder connection, contact insert only

Housing screw connection

Housing screw connection - SACC-BP-F-M12/M15-6-THR - 1414004

<https://www.phoenixcontact.com/us/products/1414004>



Housing screw connection, Socket, M12, Rear mounting, M15 x 1

Flush-type connector - SACC-CI-M12FS-12CON-L180 THRSH



1442052

<https://www.phoenixcontact.com/us/products/1442052>

Housing screw connection

Housing screw connection - SACC-BP-F-M12/M15-7-THR - 1414003

<https://www.phoenixcontact.com/us/products/1414003>



Housing screw connection, Socket, M12, Rear mounting, M15 x 1

Housing screw connection

Housing screw connection - SACC-BP-F-M12/M15-6-THR SCO - 1414020

<https://www.phoenixcontact.com/us/products/1414020>



Housing screw connection, Socket, M12-SPEEDCON, Rear mounting, M15 x 1

Flush-type connector - SACC-CI-M12FS-12CON-L180 THRSH



1442052

<https://www.phoenixcontact.com/us/products/1442052>

Housing screw connection

Housing screw connection - SACC-BP-F-M12/M15-7-THR SCO - 1414005

<https://www.phoenixcontact.com/us/products/1414005>



Housing screw connection, Socket, M12-SPEEDCON, Rear mounting, M15 x 1

Housing screw connection

Housing screw connection - SACC-BP-F-M12/THR-1,0/1,8-9TIP - 1419630

<https://www.phoenixcontact.com/us/products/1419630>



M12 threaded sleeve with tolerance-compensating function, for straight, THR solderable M12 socket contact inserts. Suitable for 1.0 mm ... 1.8 mm thick front plates.

Flush-type connector - SACC-CI-M12FS-12CON-L180 THRSH



1442052

<https://www.phoenixcontact.com/us/products/1442052>

Housing screw connection

Housing screw connection - SACC-BP-F-M12/THR-1,7/2,5-9TIP - 1419631

<https://www.phoenixcontact.com/us/products/1419631>



M12 threaded sleeve with tolerance-compensating function, for straight, THR solderable M12 socket contact inserts. Suitable for 1.7 mm ... 2.5 mm thick front plates.

Housing screw connection

Housing screw connection - SACC-BP-F-M12/THR-2,4/3,2-9TIP - 1419633

<https://www.phoenixcontact.com/us/products/1419633>



M12 threaded sleeve with tolerance-compensating function, for straight, THR solderable M12 socket contact inserts. Suitable for 2.4 mm ... 3.2 mm thick front plates.

Flush-type connector - SACC-CI-M12FS-12CON-L180 THRSH



1442052

<https://www.phoenixcontact.com/us/products/1442052>

Housing screw connection

Housing screw connection - SACC-BP-F-M12/THR-3,1/3,9-9TIP - 1419634

<https://www.phoenixcontact.com/us/products/1419634>



M12 threaded sleeve with tolerance-compensating function, for straight, THR solderable M12 socket contact inserts. Suitable for 3.1 mm ... 3.9 mm thick front plates.

Housing screw connection

Housing screw connection - SACC-M12 NUT PRESS - 1437889

<https://www.phoenixcontact.com/us/products/1437889>



Housing screw connection for two-piece M12 connectors for the reflow soldering process.

Flush-type connector - SACC-CI-M12FS-12CON-L180 THRSH

1442052

<https://www.phoenixcontact.com/us/products/1442052>

Housing screw connection

Housing screw connection - SACC-DSIV-M12-NUT-9 THR - 1417989

<https://www.phoenixcontact.com/us/products/1417989>



M12 female connector, front mounting THR with M14 screw fastening

Housing screw connection

Housing screw connection - SACC-BP-F-M12-THR PP - 1027662

<https://www.phoenixcontact.com/us/products/1027662>



Housing screw connection, Socket, M12-Push-Pull, Rear mounting, M16, THR- und Wellenlötkontakte

Flush-type connector - SACC-CI-M12FS-12CON-L180 THRSH



1442052

<https://www.phoenixcontact.com/us/products/1442052>

Housing screw connection

Housing screw connection - SACC-FP-F-M12-THR PP - 1027678

<https://www.phoenixcontact.com/us/products/1027678>



Housing screw connection, Socket, M12-Push-Pull, Front mounting, M14 x 1,
THR- und Wellenlötkontakte

Phoenix Contact 2022 © - all rights reserved

<https://www.phoenixcontact.com>

Phoenix Contact USA
586 Fulling Mill Road
Middletown, PA 17057, United States
(+717) 944-1300
info@phoenixcon.com