

# Flush-type connector - SACC-CI-M12FS-12CON-L180 THR



1441970

<https://www.phoenixcontact.com/us/products/1441970>

Please be informed that the data shown in this PDF document is generated from our Online Catalog. Please find the complete data in the user documentation. Our General Terms of Use for Downloads are valid.

---

Sensor/actuator flush-type socket, 12-pos., with straight THR solder connection



---

## Your advantages

- Reduced mounting costs thanks to two-piece device connector
- Packaging available for automated pick and place assembly
- All common pin assignments and codings available
- Easy device integration thanks to mechanical port screw connections with threaded attachment, press-in contour or direct integration in the front plate
- Additional gasket for the device when not plugged in

# Flush-type connector - SACC-CI-M12FS-12CON-L180 THR



1441970

<https://www.phoenixcontact.com/us/products/1441970>

## Commercial Data

Item number	1441970
Packing unit	1 pc
Minimum order quantity	60 pc
Sales Key	A11
Product Key	ABQCBF
Catalog Page	Page 256 (C-2-2013)
GTIN	4046356533089
Weight per Piece (including packing)	5.39 g
Weight per Piece (excluding packing)	5.38 g
Customs tariff number	85366990
Country of origin	DE

# Flush-type connector - SACC-CI-M12FS-12CON-L180 THR



1441970

<https://www.phoenixcontact.com/us/products/1441970>

## Technical Data

### Notes

Notes on operation	The electrical and mechanical data specified assume that the connector pair is correctly locked and mounted. If the connector is unlocked and if there is a danger of contamination, the connector must be sealed using a protective cap > IP54. Influences arising from litz wires, cables or PCB assembly must also be taken into consideration.
--------------------	--

### Product properties

Product type	Contact insert
Number of positions	12
Coding	A - standard

### Insulation characteristics

Overvoltage category	III
Degree of pollution	3

### Electrical properties

Rated surge voltage	0.8 kV
Contact resistance	$\leq 3 \text{ m}\Omega$
Insulation resistance	$\geq 100 \text{ M}\Omega$
Nominal voltage $U_N$	30 V
Nominal current $I_N$	1.5 A

### LED signaling

Status display	No
Status display present	No

### Material specifications

Flammability rating according to UL 94	V0
Sealing material	FKM / EPDM
Contact material	CuZn
Contact surface material	Au
Contact carrier material	PA 6.6

### Connector

Insertion/withdrawal cycles	> 100
-----------------------------	-------

### Cable / line

#### Ambient conditions

Ambient temperature (operation)	-25 °C ... 85 °C (Cable, flexible installation)
	-40 °C ... 85 °C (cable, fixed installation)

### Environmental and real-life conditions

# Flush-type connector - SACC-CI-M12FS-12CON-L180 THR



1441970

<https://www.phoenixcontact.com/us/products/1441970>

## Ambient conditions

Degree of protection (when plugged in)	IP67 (correctly plugged in and locked)
Degree of protection	IP67 (correctly plugged in and locked)
Degree of protection	IP67
Ambient temperature (operation)	-25 °C ... 85 °C (Plug / socket)
	-40 °C ... 85 °C (without mechanical actuation)
	-25 °C ... 85 °C (Cable, flexible installation)
	-40 °C ... 85 °C (cable, fixed installation)

## Standards and regulations

### M12

Standards/specifications	IEC 61076-2-101
--------------------------	-----------------

## Mounting

Mounting type	PCB mounting
---------------	--------------

## Packaging specifications

Type of packaging	Tray
Delivery state	with assembly pad

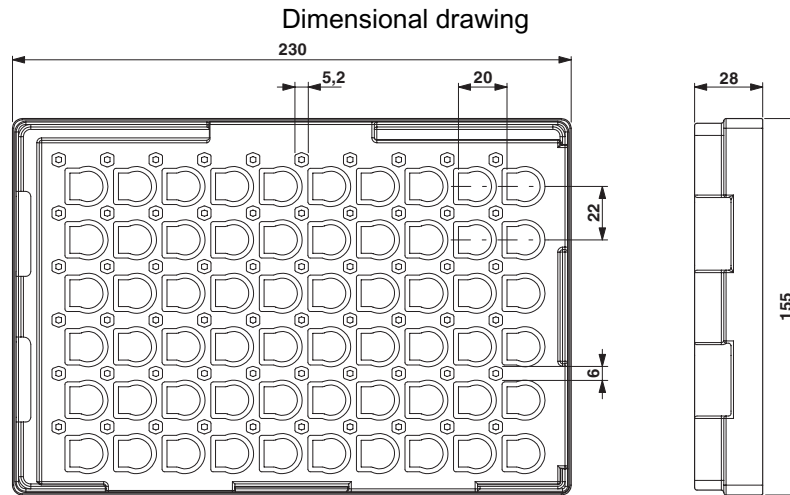
# Flush-type connector - SACC-CI-M12FS-12CON-L180 THR



1441970

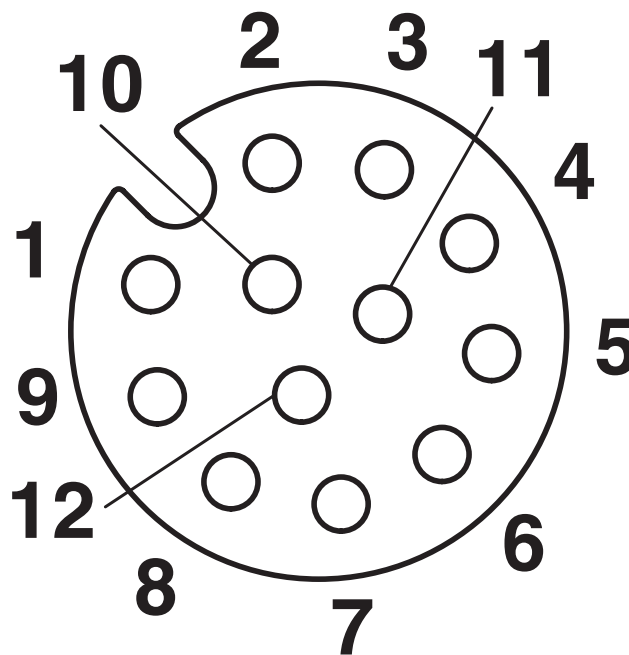
<https://www.phoenixcontact.com/us/products/1441970>

## Drawings



THR tray packaging

## Schematic diagram



Pin assignment M12, 12-pos., female side view

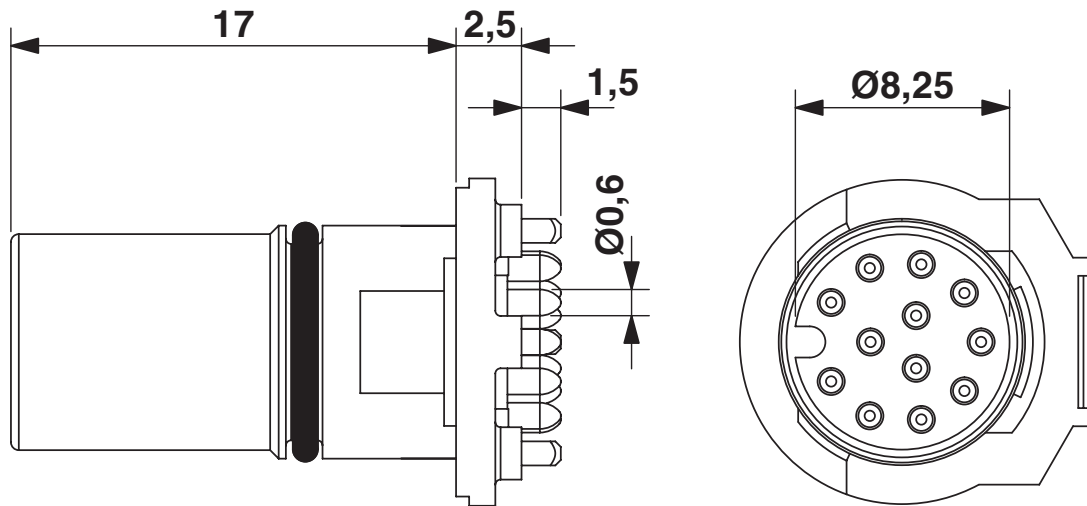
# Flush-type connector - SACC-CI-M12FS-12CON-L180 THR



1441970

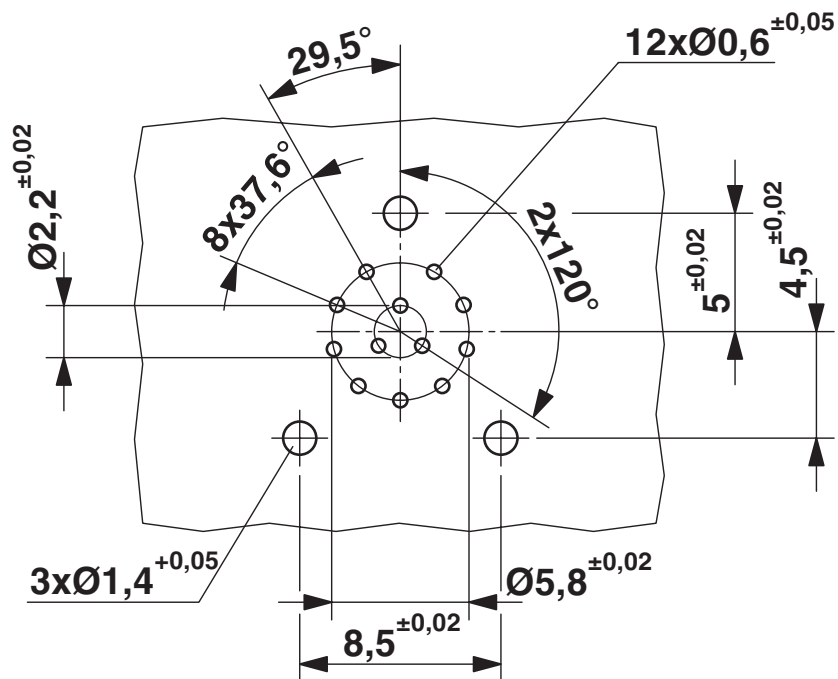
<https://www.phoenixcontact.com/us/products/1441970>

Dimensional drawing



M12 flush-type connector

Drilling plan/solder pad geometry



Drilling diagram


# Flush-type connector - SACC-CI-M12FS-12CON-L180 THR




1441970

<https://www.phoenixcontact.com/us/products/1441970>

## Approvals

 <b>UL Recognized</b> Approval ID: FILE E 118976	Nominal Voltage $U_N$	Nominal Current $I_N$	Cross Section AWG	Cross Section $\text{mm}^2$
	30 V	1.5 A	- 26	-

 <b>EAC</b> Approval ID: B.01687
--

# Flush-type connector - SACC-CI-M12FS-12CON-L180 THR



1441970

<https://www.phoenixcontact.com/us/products/1441970>

## Classifications

### ECLASS

ECLASS-10.0.1	27440102
ECLASS-9.0	27440102
ECLASS-11.0	27440102

### ETIM

ETIM 8.0	EC002635
----------	----------

### UNSPSC

UNSPSC 21.0	39121400
-------------	----------

# Flush-type connector - SACC-CI-M12FS-12CON-L180 THR



1441970

<https://www.phoenixcontact.com/us/products/1441970>

## Environmental Product Compliance

REACH SVHC	Lead 7439-92-1
China RoHS	Environmentally Friendly Use Period = 50 years
	For information on hazardous substances, refer to the manufacturer's declaration available under "Downloads"

# Flush-type connector - SACC-CI-M12FS-12CON-L180 THR



1441970

<https://www.phoenixcontact.com/us/products/1441970>

## Accessories

### Screw plug

Screw plug - PROT-M12 - 1680539

<https://www.phoenixcontact.com/us/products/1680539>



An M12 screw plug for the unoccupied M12 sockets of the sensor/actuator cable, boxes and flush-type connectors

---

### Housing screw connection

Housing screw connection - SACC-M12-SCO NUT - 1552243

<https://www.phoenixcontact.com/us/products/1552243>



M12 SPEEDCON housing screw connection for M12 female inserts, with O-ring, for all SPEEDCON-capable THR and wave soldering contact carriers

# Flush-type connector - SACC-CI-M12FS-12CON-L180 THR



1441970

<https://www.phoenixcontact.com/us/products/1441970>

## Screw plug

Screw plug - PROT-M12 SH - 1503302

<https://www.phoenixcontact.com/us/products/1503302>



An M12 screw plug for the unoccupied M12 sockets of the shielded sensor/actuator cable, boxes and flush-type connectors

---

## Housing screw connection

Housing screw connection - SACC-DSIV-M12-NUT - 1416144

<https://www.phoenixcontact.com/us/products/1416144>



Housing screw connection with M12 standard thread, with O-ring, for the two-piece straight M12 THR contact carrier and for the two-piece angled M12 contact carrier

# Flush-type connector - SACC-CI-M12FS-12CON-L180 THR



1441970

<https://www.phoenixcontact.com/us/products/1441970>

## Screw plug

Screw plug - PROT-M12 FB - 1555538

<https://www.phoenixcontact.com/us/products/1555538>



M12 high-grade steel screw plug, for unoccupied M12 sockets of the sensor/actuator cables, boxes and flush-type connectors for the food industry

---

## Housing screw connection

Housing screw connection - SACC-M12-SCO NUT L 90 - 1432460

<https://www.phoenixcontact.com/us/products/1432460>



M12-SPEEDCON housing screw connection for M12 female inserts, with flat gasket, for all Speedcon-compatible THR and wave soldering contact carriers

# Flush-type connector - SACC-CI-M12FS-12CON-L180 THR



1441970

<https://www.phoenixcontact.com/us/products/1441970>

## Sample set

Sample set - SACC-CIM12FS12PL180THRSHSAMPLE - 1413562

<https://www.phoenixcontact.com/us/products/1413562>



Sensor/actuator flush-type socket, 12-pos. with shroud, A-coded, with straight THR solder connection, contact insert only

---

## Housing screw connection

Housing screw connection - SACC-BP-F-M12/M15-6-THR - 1414004

<https://www.phoenixcontact.com/us/products/1414004>



Housing screw connection, Socket, M12, Rear mounting, M15 x 1

# Flush-type connector - SACC-CI-M12FS-12CON-L180 THR



1441970

<https://www.phoenixcontact.com/us/products/1441970>

## Housing screw connection

Housing screw connection - SACC-BP-F-M12/M15-7-THR - 1414003

<https://www.phoenixcontact.com/us/products/1414003>



Housing screw connection, Socket, M12, Rear mounting, M15 x 1

---

## Housing screw connection

Housing screw connection - SACC-BP-F-M12/M15-6-THR SCO - 1414020

<https://www.phoenixcontact.com/us/products/1414020>



Housing screw connection, Socket, M12-SPEEDCON, Rear mounting, M15 x 1

# Flush-type connector - SACC-CI-M12FS-12CON-L180 THR



1441970

<https://www.phoenixcontact.com/us/products/1441970>

## Housing screw connection

Housing screw connection - SACC-BP-F-M12/M15-7-THR SCO - 1414005

<https://www.phoenixcontact.com/us/products/1414005>



Housing screw connection, Socket, M12-SPEEDCON, Rear mounting, M15 x 1

---

## Housing screw connection

Housing screw connection - SACC-BP-F-M12/THR-1,0/1,8-9TIP - 1419630

<https://www.phoenixcontact.com/us/products/1419630>



M12 threaded sleeve with tolerance-compensating function, for straight, THR solderable M12 socket contact inserts. Suitable for 1.0 mm ... 1.8 mm thick front plates.

# Flush-type connector - SACC-CI-M12FS-12CON-L180 THR



1441970

<https://www.phoenixcontact.com/us/products/1441970>

## Housing screw connection

Housing screw connection - SACC-BP-F-M12/THR-1,7/2,5-9TIP - 1419631

<https://www.phoenixcontact.com/us/products/1419631>



M12 threaded sleeve with tolerance-compensating function, for straight, THR solderable M12 socket contact inserts. Suitable for 1.7 mm ... 2.5 mm thick front plates.

---

## Housing screw connection

Housing screw connection - SACC-BP-F-M12/THR-2,4/3,2-9TIP - 1419633

<https://www.phoenixcontact.com/us/products/1419633>



M12 threaded sleeve with tolerance-compensating function, for straight, THR solderable M12 socket contact inserts. Suitable for 2.4 mm ... 3.2 mm thick front plates.

# Flush-type connector - SACC-CI-M12FS-12CON-L180 THR



1441970

<https://www.phoenixcontact.com/us/products/1441970>

## Housing screw connection

Housing screw connection - SACC-BP-F-M12/THR-3,1/3,9-9TIP - 1419634

<https://www.phoenixcontact.com/us/products/1419634>



M12 threaded sleeve with tolerance-compensating function, for straight, THR solderable M12 socket contact inserts. Suitable for 3.1 mm ... 3.9 mm thick front plates.

---

## Housing screw connection

Housing screw connection - SACC-M12 NUT PRESS - 1437889

<https://www.phoenixcontact.com/us/products/1437889>



Housing screw connection for two-piece M12 connectors for the reflow soldering process.

# Flush-type connector - SACC-CI-M12FS-12CON-L180 THR

1441970

<https://www.phoenixcontact.com/us/products/1441970>

## Housing screw connection

Housing screw connection - SACC-DSIV-M12-NUT-9 THR - 1417989

<https://www.phoenixcontact.com/us/products/1417989>



M12 female connector, front mounting THR with M14 screw fastening

---

## Housing screw connection

Housing screw connection - SACC-BP-F-M12-THR PP - 1027662

<https://www.phoenixcontact.com/us/products/1027662>



Housing screw connection, Socket, M12-Push-Pull, Rear mounting, M16, THR- und Wellenlötkontakte

# Flush-type connector - SACC-CI-M12FS-12CON-L180 THR



1441970

<https://www.phoenixcontact.com/us/products/1441970>

## Housing screw connection

Housing screw connection - SACC-FP-F-M12-THR PP - 1027678

<https://www.phoenixcontact.com/us/products/1027678>



Housing screw connection, Socket, M12-Push-Pull, Front mounting, M14 x 1,  
THR- und Wellenlötkontakte

---

Phoenix Contact 2022 © - all rights reserved

<https://www.phoenixcontact.com>

Phoenix Contact USA  
586 Fulling Mill Road  
Middletown, PA 17057, United States  
(+717) 944-1300  
[info@phoenixcon.com](mailto:info@phoenixcon.com)