

## Panel feed-through - SACC-DSI-M12MS-8CON-M16 - 1441804

Please be informed that the data shown in this PDF Document is generated from our Online Catalog. Please find the complete data in the user's documentation. Our General Terms of Use for Downloads are valid (<http://phoenixcontact.com/download>)



Sensor/actuator flush-type plug, 8-pos., M12 SPEEDCON, rear/screw mounting with M16 thread, with straight solder connection



### Key Commercial Data

|                                      |          |
|--------------------------------------|----------|
| Packing unit                         | 1 pc     |
| Minimum order quantity               | 20 pc    |
| Weight per Piece (excluding packing) | 14.0 g   |
| Custom tariff number                 | 85366990 |
| Country of origin                    | Germany  |

### Technical data

#### Dimensions

|                          |      |
|--------------------------|------|
| Length of the solder pin | 6 mm |
|--------------------------|------|

#### Ambient conditions

|                                 |   |
|---------------------------------|---|
| Ambient temperature (operation) | -25 °C ... 85 °C (Plug / socket)                |
|                                 | -40 °C ... 85 °C (without mechanical actuation) |
| Degree of protection            | IP67  |

#### General

|                       |  |
|-----------------------|--|
| Note                  | The electrical and mechanical data specified assume that the connector pair is correctly locked and mounted. If the connector is unlocked and if there is a danger of contamination, the connector must be sealed using a protective cap > IP54. Influences arising from litz wires, cables or PCB assembly must also be taken into consideration. |
| Rated current at 40°C | 2 A  |
| Rated voltage         | 30 V   |
| Rated surge voltage   | 0.8 kV   |
| Number of positions   | 8  |

# Panel feed-through - SACC-DSI-M12MS-8CON-M16 - 1441804

## Technical data

### General

|                             |                                       |
|-----------------------------|---------------------------------------|
| Insulation resistance       | ≥ 100 MΩ                              |
| Coding                      | A - standard                          |
| Standards/regulations       | M12 connector IEC 61076-2-101         |
| Status display              | No                                    |
| Overvoltage category        | II                                    |
| Degree of pollution         | 3                                     |
| Connection method           | Solder pins                           |
| Insertion/withdrawal cycles | > 100                                 |
| Torque                      | 3 Nm ... 4 Nm (Installation-side)     |
| Mounting type               | Rear mounting M16 x 1.5 With flat nut |

### Material

|  |                              |
|--|------------------------------|
| Flammability rating according to UL 94 | V0                           |
| Contact material                       | CuZn                         |
| Contact surface material               | Au                           |
| Contact carrier material               | PA 66                        |
| Material, knurls                       | Zinc die-cast, nickel-plated |
| Sealing material                       | NBR                          |

### Cable

|                                 |   |
|---------------------------------|---|
| Ambient temperature (operation) | -40 °C ... 85 °C (cable, fixed installation)    |
|                                 | -25 °C ... 85 °C (cable, flexible installation) |

### Standards and Regulations

|  |                 |
|--|-----------------|
| Order No.                              | 1441804         |
| Product key                            | ABQCAA          |
| Standard designation                   | M12 connector   |
| Standards/regulations                  | IEC 61076-2-101 |
| Flammability rating according to UL 94 | V0              |

## Classifications

### eCl@ss

|            |          |
|------------|----------|
| eCl@ss 4.0 | 27140815 |
| eCl@ss 4.1 | 27140815 |
| eCl@ss 5.0 | 27143423 |
| eCl@ss 5.1 | 27143423 |
| eCl@ss 6.0 | 27279220 |
| eCl@ss 7.0 | 27440103 |

# Panel feed-through - SACC-DSI-M12MS-8CON-M16 - 1441804

## Classifications

eCl@ss

|            |          |
|------------|----------|
| eCl@ss 8.0 | 27440103 |
|------------|----------|

## ETIM

|          |          |
|----------|----------|
| ETIM 2.0 | EC001297 |
| ETIM 3.0 | EC002061 |
| ETIM 4.0 | EC002061 |
| ETIM 5.0 | EC002061 |

## UNSPSC

|               |          |
|---------------|----------|
| UNSPSC 6.01   | 31251501 |
| UNSPSC 7.0901 | 31251501 |
| UNSPSC 11     | 31251501 |
| UNSPSC 12.01  | 31251501 |
| UNSPSC 13.2   | 39121413 |

## Approvals

Approvals

---

Approvals

EAC / EAC

---

Ex Approvals

---

Approvals submitted

---

## Approval details

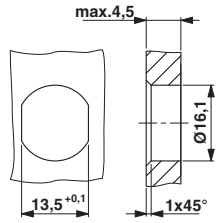
|     |
|-----|
| EAC |
|-----|

|     |
|-----|
| EAC |
|-----|

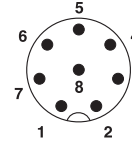
## Drawings

# Panel feed-through - SACC-DSI-M12MS-8CON-M16 - 1441804

Dimensional drawing



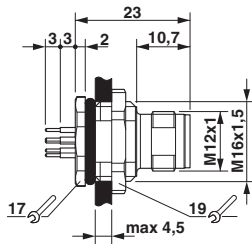
Schematic diagram



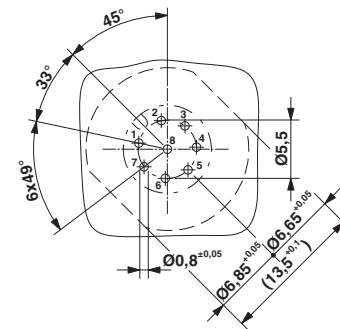
Pin assignment M12 plug, 8-pos., view plug side

Housing cutout for M16 fastening thread, mounting panel with feed-through hole (alternatively with area as anti-rotation protection for panel thicknesses > 2 mm up to max. 4.5 mm)

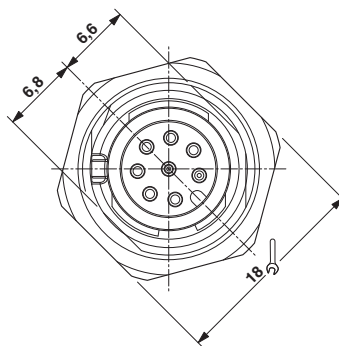
Dimensional drawing



Drilling diagram



Dimensional drawing



M12 front view