

Flush-type connector - SACC-E-M 8MS-5CON-M 8/0,5 DN



1440119

<https://www.phoenixcontact.com/us/products/1440119>

Please be informed that the data shown in this PDF document is generated from our Online Catalog. Please find the complete data in the user documentation. Our General Terms of Use for Downloads are valid.



Bus system flush-type connector, plug, DeviceNet, 5-pos., M8, front/screw mounting with M8 fastening thread, with 0.5 m PVC litz wire, 5 x 0.25 mm²

Your advantages

- Pre-assembled with litz wires for immediate use
- Customer-specific assemblies and litz wire lengths available
- Sealed on the litz wire side for optimum leak-tightness
- Standard pin assignments and codings for signal transmission with a uniform design-in design

Flush-type connector - SACC-E-M 8MS-5CON-M 8/0,5 DN



1440119

<https://www.phoenixcontact.com/us/products/1440119>

Commercial Data

Item number	1440119
Packing unit	1 pc
Minimum order quantity	1 pc
Sales Key	A11
Product Key	ABQBBA
Catalog Page	Page 22 (PC-2009)
GTIN	4046356481328
Weight per Piece (including packing)	14.3 g
Weight per Piece (excluding packing)	14.2 g
Customs tariff number	85444290
Country of origin	PL

Flush-type connector - SACC-E-M 8MS-5CON-M 8/0,5 DN



1440119

<https://www.phoenixcontact.com/us/products/1440119>

Technical Data

Product properties

Product type	Circular connectors (device side)
Number of positions	5
No. of cable outlets	1
Shielded	no
Coding	B - inverse

Insulation characteristics

Overvoltage category	II
Degree of pollution	3

Ambient conditions

Degree of protection	IP67
Degree of protection	IP67
Ambient temperature (operation)	-25 °C ... 85 °C (Plug / socket) -40 °C ... 85 °C

Connector

Header 1

Head design	Plug
Head cable outlet	straight
Head thread type	M8

Electrical properties

Contact resistance	≤ 3 mΩ
Insulation resistance	≥ 100 MΩ
Nominal voltage U_N	30 V AC 30 V DC
Nominal current I_N	4 A

Material specifications

Flammability rating according to UL 94	HB
Sealing material	Viton
Contact material	Cu alloy
Contact surface material	Au
Contact carrier material	PUR / PA 6.6
Cable gland material	Nickel-plated brass

Connection data

Conductor connection

Connection method	Individual wires
-------------------	------------------

Flush-type connector - SACC-E-M 8MS-5CON-M 8/0,5 DN



1440119

<https://www.phoenixcontact.com/us/products/1440119>

Mounting

Mounting type	Front mounting M8 x 0.5
---------------	-------------------------

Standards and regulations

M8

Standards/specifications	IEC 61076-2-104
--------------------------	-----------------

Cable / line

Cable length	0.5 m
--------------	-------

Cable structure

Cable type	PVC litz wire
Signal type/category	DeviceNet™
Conductor material	Tin-plated Cu litz wires
AWG signal line	26
Material wire insulation	PVC
Single wire, color	gray, red, white, black, blue

Ambient conditions

Ambient temperature (operation)	-40 °C ... 85 °C
---------------------------------	------------------

Flush-type connector - SACC-E-M 8MS-5CON-M 8/0,5 DN

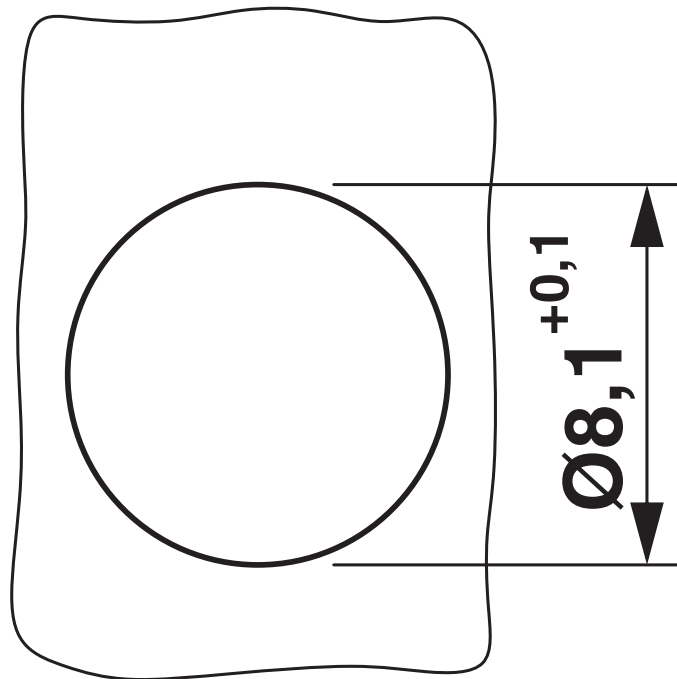


1440119

<https://www.phoenixcontact.com/us/products/1440119>

Drawings

Dimensional drawing



Housing bore holes

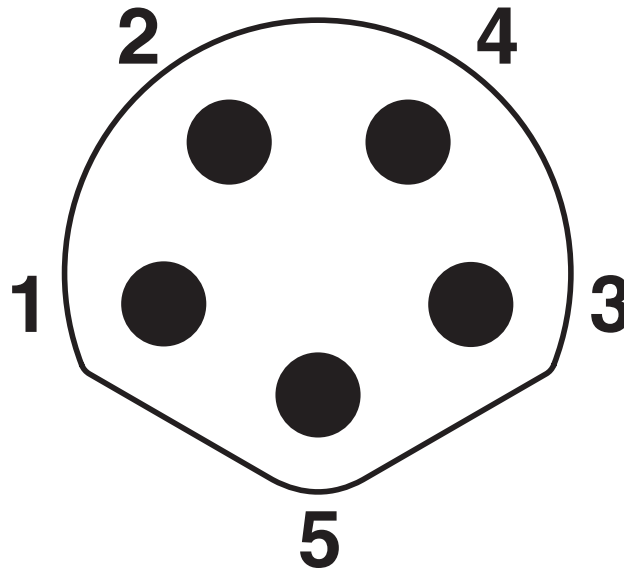
Flush-type connector - SACC-E-M 8MS-5CON-M 8/0,5 DN



1440119

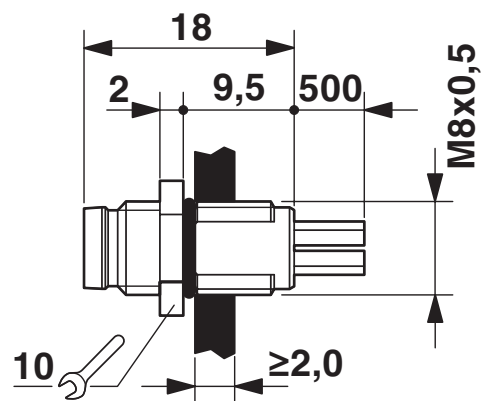
<https://www.phoenixcontact.com/us/products/1440119>

Schematic diagram



Pin assignment M8 plug, 5-pos., B-coded, view plug side

Dimensional drawing



M8 flush-type plug, front mounting

Flush-type connector - SACC-E-M 8MS-5CON-M 8/0,5 DN



1440119

<https://www.phoenixcontact.com/us/products/1440119>

Approvals



EAC

Approval ID: B.01687

Flush-type connector - SACC-E-M 8MS-5CON-M 8/0,5 DN



1440119

<https://www.phoenixcontact.com/us/products/1440119>

Classifications

ECLASS

ECLASS-9.0	27440102
ECLASS-10.0.1	27440102
ECLASS-11.0	27440102

ETIM

ETIM 8.0	EC002635
----------	----------

UNSPSC

UNSPSC 21.0	39121400
-------------	----------

Flush-type connector - SACC-E-M 8MS-5CON-M 8/0,5 DN



1440119

<https://www.phoenixcontact.com/us/products/1440119>

Environmental Product Compliance

REACH SVHC	Lead 7439-92-1
China RoHS	Environmentally Friendly Use Period = 50 years
	For information on hazardous substances, refer to the manufacturer's declaration available under "Downloads"

Flush-type connector - SACC-E-M 8MS-5CON-M 8/0,5 DN



1440119

<https://www.phoenixcontact.com/us/products/1440119>

Accessories

Flat nut

Flat nut - SACC-E-MU-M8X0,5 - 1504071

<https://www.phoenixcontact.com/us/products/1504071>

Flat nut with M8 thread



Phoenix Contact 2022 © - all rights reserved
<https://www.phoenixcontact.com>

Phoenix Contact USA
586 Fulling Mill Road
Middletown, PA 17057, United States
(+717) 944-1300
info@phoenixcon.com