

Sensor/actuator cable - SAC-3P-10,0-PVC/A-1L-Z



1439492

<https://www.phoenixcontact.com/pc/products/1439492>

Please be informed that the data shown in this PDF document is generated from our Online Catalog. Please find the complete data in the user documentation. Our General Terms of Use for Downloads are valid.



Sensor/actuator cable, 3-position, PVC, black RAL 9005, free cable end, on Valve connector A, with 1 LED, connected with Z diode, cable length: 10 m

Your advantages

- Easy and safe: 100% electrically tested plug-in components
- Convenient: increased machine availability thanks to quick and easy diagnostics

Commercial Data

Item number	1439492
Packing unit	1 pc
Minimum order quantity	1 pc
Product Key	BF1DAA
Catalog Page	Page 229 (C-2-2019)
GTIN	4046356489379
Weight per Piece (including packing)	389 g
Weight per Piece (excluding packing)	362.6 g
Customs tariff number	85444290
Country of origin	PL

Technical Data

Product properties

Product type	Sensor/actuator cable with valve connector
Number of positions	3
Application	Standard
No. of cable outlets	1
Shielded	no

Insulation characteristics

Overvoltage category	III
Degree of pollution	3

Material specifications

Color Handle area	black
Flammability rating according to UL 94	V0
Sealing material	TPU (Seal molded)
Material housing valve plug	TPU
Contact material	CuSn
Valve plug contact insert material	PA 6.6
Contact surface material	Sn

Electrical properties

Contact resistance	$\leq 5 \text{ m}\Omega$
Insulation resistance	$\geq 100 \text{ M}\Omega$
Nominal voltage U_N	24 V AC
	24 V DC
Nominal current I_N	4 A
Protective circuit	Z diode

Valve connector characteristics

Fixing screws	M3 x 29
Pulse power	40 W (at 100 μs square-wave pulse)
Terminal voltage	70 V (at 2 mA constant current)
Reverse voltage	50 V

LED signaling

Status display	1 LED
Status display present	yes

Connector

Connection 1

Head design	free cable end
-------------	----------------

Connection 2

Sensor/actuator cable - SAC-3P-10,0-PVC/A-1L-Z



1439492


<https://www.phoenixcontact.com/pc/products/1439492>

Head design	Valve connector
Head thread type	A
Status indicator head	1 LED

Cable / line

Cable length	10 m
--------------	------

PVC black [PVC]

Dimensional drawing	
Cable weight	38.6 kg/km
UL AWM Style	2464
Number of positions	3
Shielded	no
Cable type	PVC black [PVC]
Conductor structure signal line	16x 0.20 mm
AWG signal line	20
Conductor cross section	3x 0.5 mm ²
Wire diameter incl. insulation	1.5 mm ±0.05 mm
External cable diameter	4.8 mm ±0.2 mm
Outer sheath, material	PVC
External sheath, color	black RAL 9005
Conductor material	Bare Cu litz wires
Material wire insulation	PVC
Single wire, color	black 1, black 2, green/yellow
Overall twist	3 wires, twisted
Max. conductor resistance	39 Ω/km (at 20 °C)
Insulation resistance	≥ 20 MΩ*km
Nominal voltage, cable	300 V
Test voltage	1200 V
Minimum bending radius, fixed installation	5 x D
Flame resistance	DIN VDE 0482 DIN EN 50265-2-1
Resistance to oil	in accordance with DIN EN 60811-2-1
Ambient temperature (operation)	-40 °C ... 80 °C (cable, fixed installation) -5 °C ... 80 °C (Cable, flexible installation)

Ambient conditions

Sensor/actuator cable - SAC-3P-10,0-PVC/A-1L-Z



1439492

<https://www.phoenixcontact.com/pc/products/1439492>

Degree of protection	IP65
	IP67
Ambient temperature (operation)	-20 °C ... 85 °C (valve plug)

Standards and regulations

Valve connector

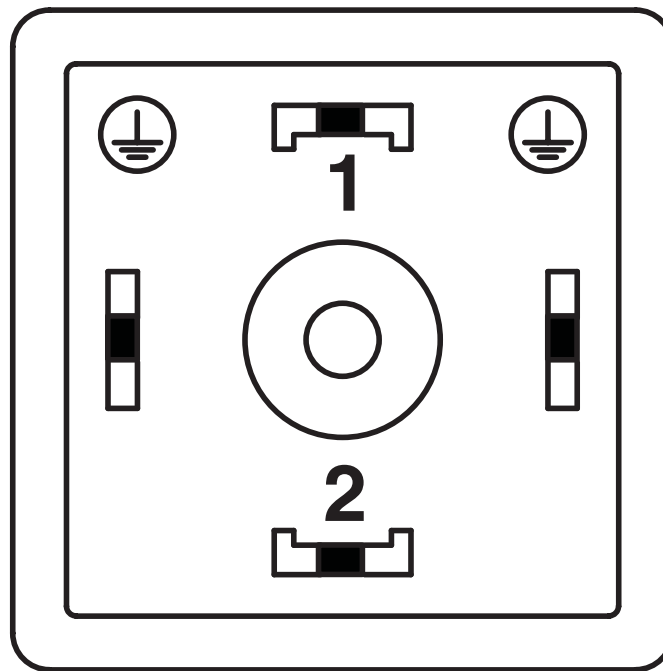
Standards/specifications	EN 175301-803
--------------------------	---------------

1439492

<https://www.phoenixcontact.com/pc/products/1439492>

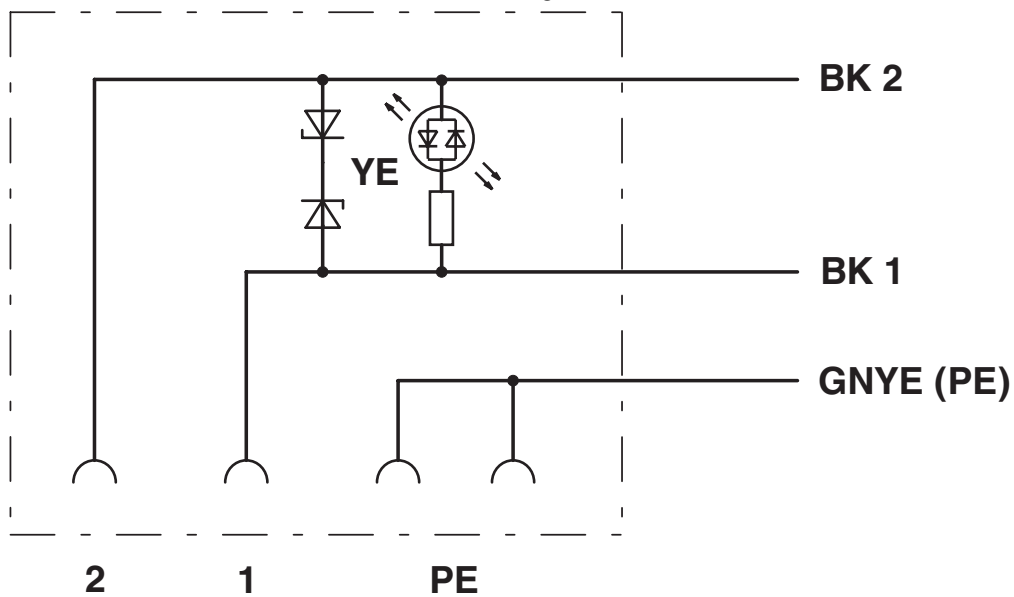
Drawings

Schematic diagram



Valve connector pin assignment, type A

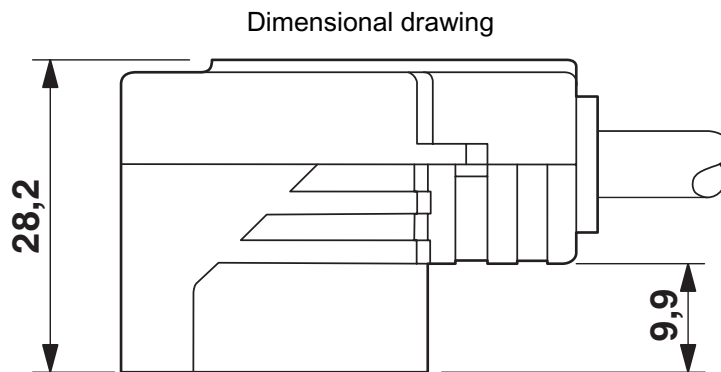
Circuit diagram



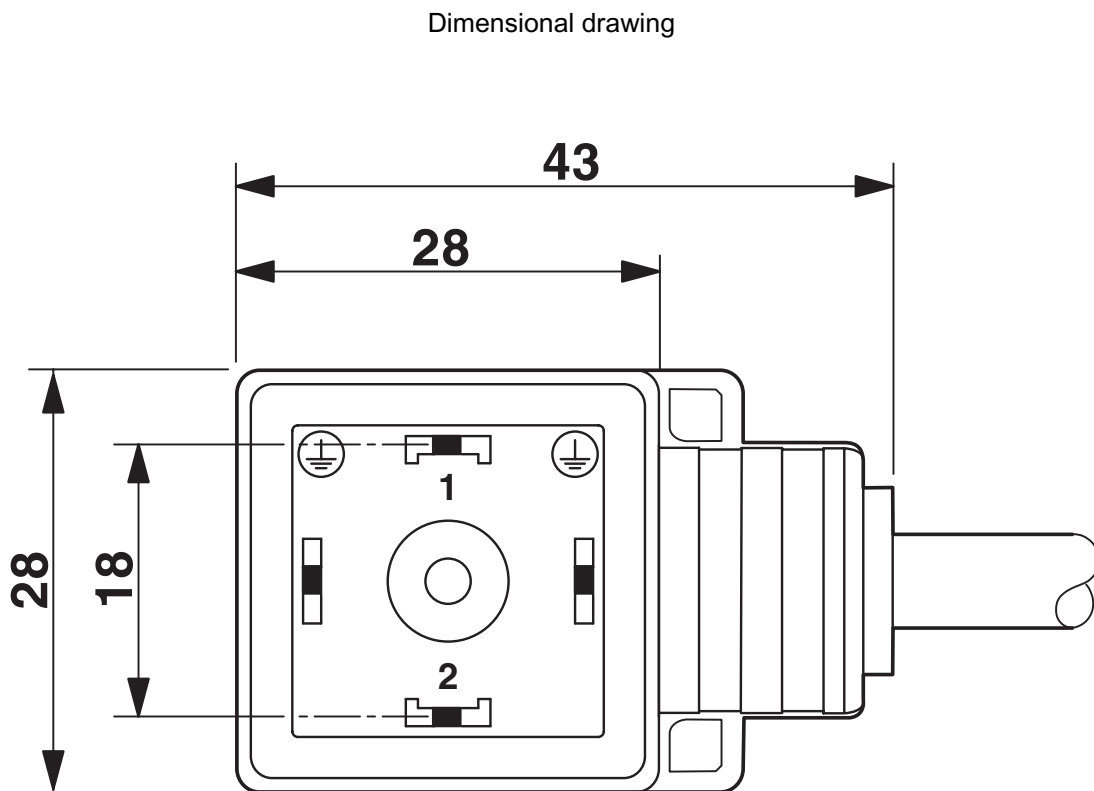
Sensor/actuator cable - SAC-3P-10,0-PVC/A-1L-Z

1439492

<https://www.phoenixcontact.com/pc/products/1439492>



Valve connector, type A, side view



Valve connector, type A

Sensor/actuator cable - SAC-3P-10,0-PVC/A-1L-Z




1439492

<https://www.phoenixcontact.com/pc/products/1439492>

Approvals

 CSA Approval ID: 13631				
	Nominal Voltage U_N	Nominal Current I_N	Cross Section AWG	Cross Section mm^2
	24 V	4 A	-	-

 EAC Approval ID: RU D-DE.HB35.B.00387				
---	--	--	--	--

 CSAus Approval ID: 13631				
	Nominal Voltage U_N	Nominal Current I_N	Cross Section AWG	Cross Section mm^2
	24 V	4 A	-	-

cCSAus				
---------------	--	--	--	--

Sensor/actuator cable - SAC-3P-10,0-PVC/A-1L-Z



1439492

<https://www.phoenixcontact.com/pc/products/1439492>

Classifications

ECLASS

ECLASS-9.0	27060312
ECLASS-10.0.1	27060312
ECLASS-11.0	27060312

ETIM

ETIM 8.0	EC001855
----------	----------

UNSPSC

UNSPSC 21.0	31251500
-------------	----------

Sensor/actuator cable - SAC-3P-10,0-PVC/A-1L-Z



1439492

<https://www.phoenixcontact.com/pc/products/1439492>

Environmental Product Compliance

China RoHS	Environmentally Friendly Use Period = 50 years For information on hazardous substances, refer to the manufacturer's declaration available under "Downloads"
------------	--

Sensor/actuator cable - SAC-3P-10,0-PVC/A-1L-Z



1439492

<https://www.phoenixcontact.com/pc/products/1439492>

Accessories

Screw

Screw - SAC-V-SCREW-M3-29 KNURL - 1403779

<https://www.phoenixcontact.com/pc/products/1403779>

Fillister head screw with plastic knurl, M3 x 40



Phoenix Contact 2022 © - all rights reserved
<https://www.phoenixcontact.com>

PHOENIX CONTACT GmbH & Co. KG
Flachsmarktstraße 8
D-32825 Blomberg
+49 (0) 5235-3 00
info@phoenixcontact.com