

# Device connector, rear mounting - SACC-DSIV-MS-5CON-L90 SH SCO

1438037

<https://www.phoenixcontact.com/us/products/1438037>

Please be informed that the data shown in this PDF document is generated from our Online Catalog. Please find the complete data in the user documentation. Our General Terms of Use for Downloads are valid.

---



Sensor/actuator flush-type connector, connector, 5-pos., M12 SPEEDCON, A-coded, shielded, rear/screw mounting with M12 thread, with polarity protection, with angled solder connection

---

# Device connector, rear mounting - SACC-DSIV-MS-5CON-L90 SH SCO



1438037

<https://www.phoenixcontact.com/us/products/1438037>

## Commercial Data

Item number	1438037
Packing unit	1 pc
Minimum order quantity	10 pc
Sales Key	A11
Product Key	ABQCAC
Catalog Page	Page 189 (C-2-2013)
GTIN	4046356457514
Weight per Piece (including packing)	13.17 g
Weight per Piece (excluding packing)	12.2 g
Customs tariff number	85366990
Country of origin	DE

# Device connector, rear mounting - SACC-DSIV-MS-5CON-L90 SH SCO



1438037

<https://www.phoenixcontact.com/us/products/1438037>

## Technical Data

### Product properties

Product type	Circular connectors (device side)
Number of positions	5
Shielded	yes
Coding	A - standard

### Insulation characteristics

Overvoltage category	II
Degree of pollution	3

### Ambient conditions

Degree of protection	IP67
Degree of protection	IP67
Ambient temperature (operation)	-40 °C ... 85 °C (Plug / socket)

### Connector

#### Header 1

Head design	Socket
Head cable outlet	straight
Head thread type	M12
Head locking type	SPEEDCON
Coding	A-coded

### Electrical properties

Contact resistance	$\leq 3 \text{ m}\Omega$
Insulation resistance	$\geq 100 \text{ M}\Omega$
Nominal voltage $U_N$	60 V
Nominal current $I_N$	4 A

### Material specifications

Flammability rating according to UL 94	V0
Sealing material	NBR
Contact material	CuZn
Contact surface material	Ni/Au
Contact carrier material	PA 6.6
Cable gland material	Zinc die-cast, nickel-plated

### Connection data

#### Conductor connection

Connection method	Solder pins
-------------------	-------------

# Device connector, rear mounting - SACC-DSIV-MS-5CON-L90 SH SCO



1438037

<https://www.phoenixcontact.com/us/products/1438037>

## Mounting

Mounting type	Rear mounting M12 x 1 With flat nut
Assembly instructions	With flat nut

## Standards and regulations

M12

Standards/specifications	IEC 61076-2-101
--------------------------	-----------------

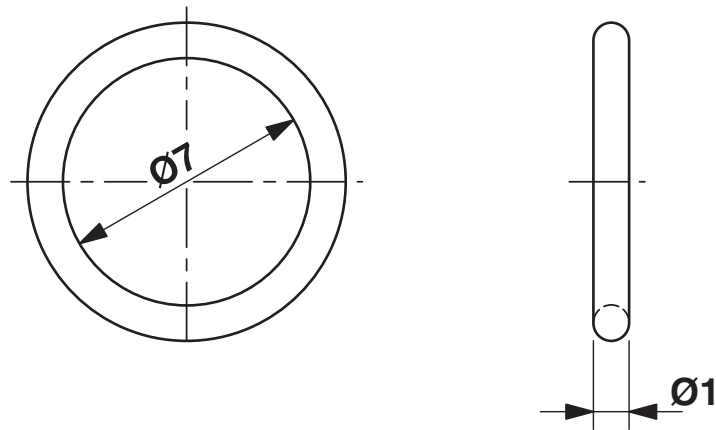
# Device connector, rear mounting - SACC-DSIV-MS-5CON-L90 SH SCO

1438037

<https://www.phoenixcontact.com/us/products/1438037>

## Drawings

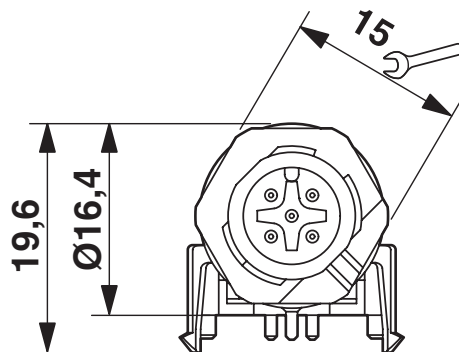
Dimensional drawing



Optionally with O-ring (green) for tight seal when plugged in.

- the axial mating force of 80 N per connector may not be exceeded when using with assembled O-ring!
- Avoid radial forces!

Dimensional drawing



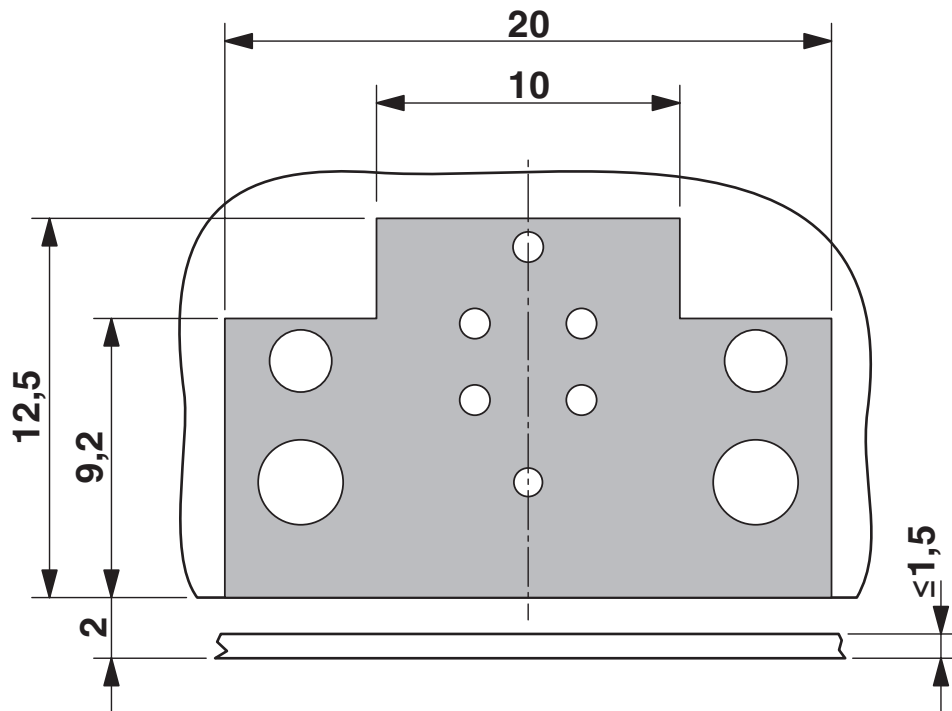
M12 flush-type connector, connector, front view

# Device connector, rear mounting - SACC-DSIV-MS-5CON-L90 SH SCO

1438037

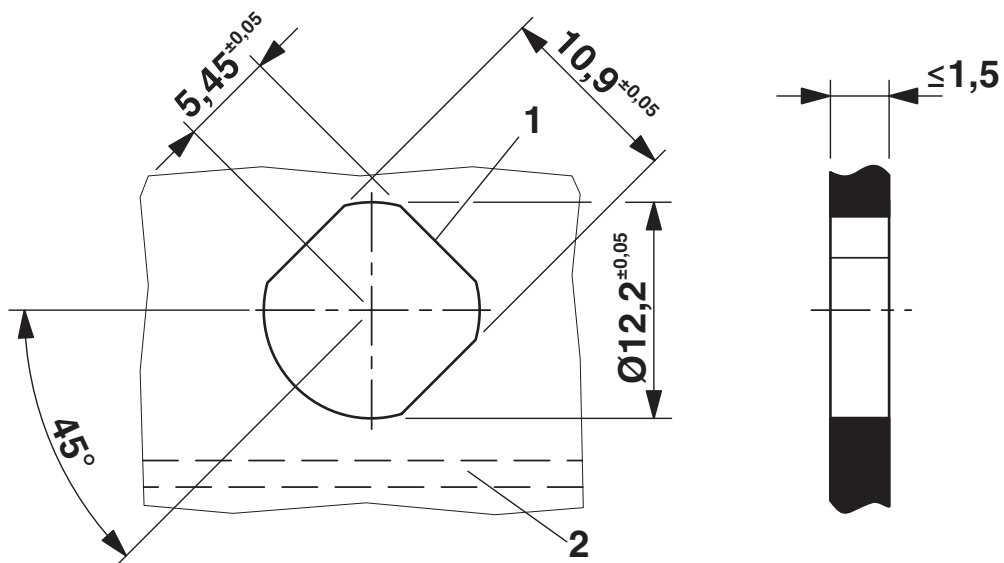
<https://www.phoenixcontact.com/us/products/1438037>

Dimensional drawing



Locked area on the PCB

Dimensional drawing

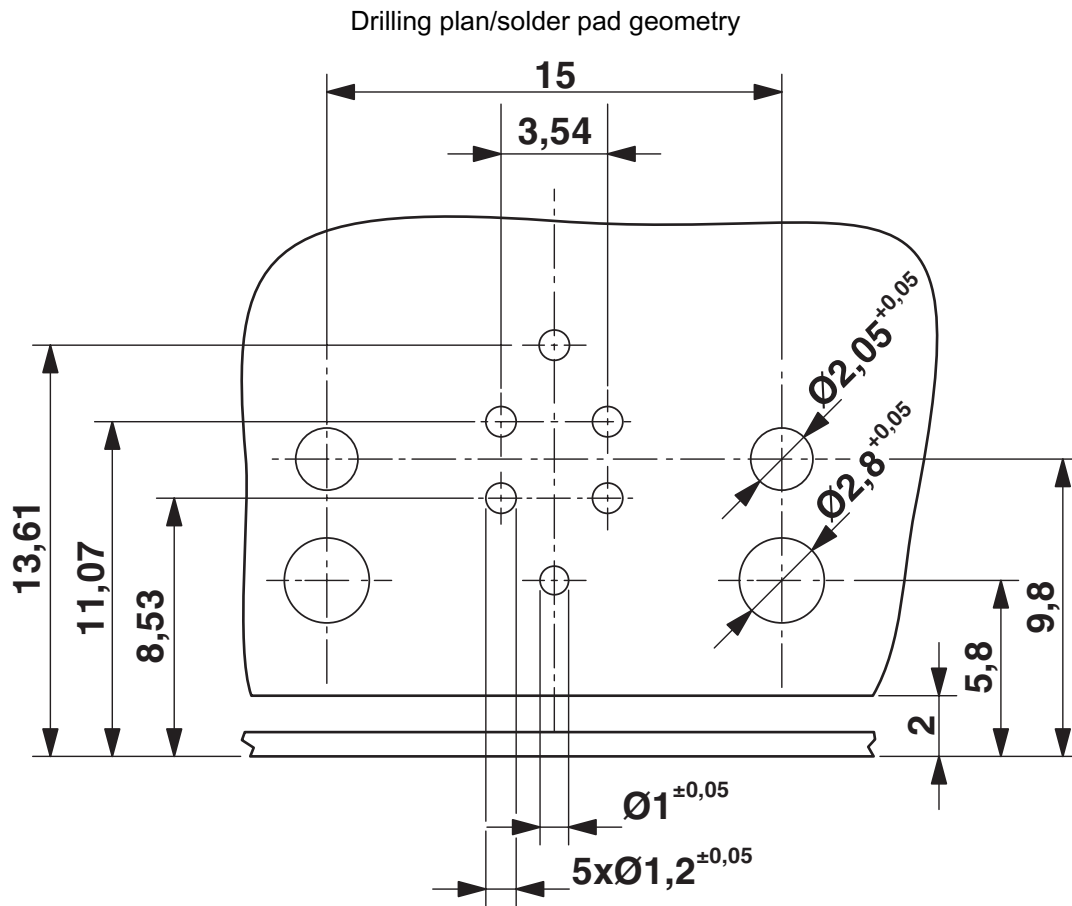


Panel cutout, view from front in case of horizontal PCB (2). The 3rd flat area is optional (1).

# Device connector, rear mounting - SACC-DSIV-MS-5CON-L90 SH SCO

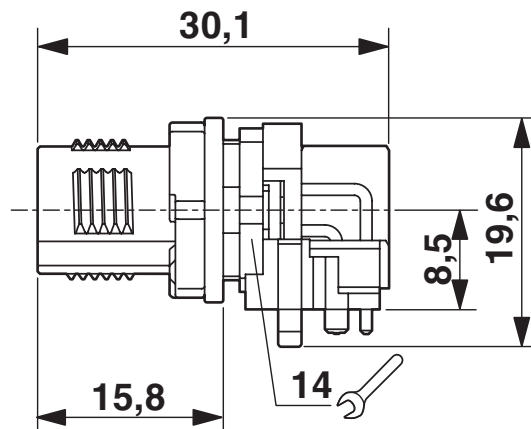
1438037

<https://www.phoenixcontact.com/us/products/1438037>



Drilling diagram

Dimensional drawing



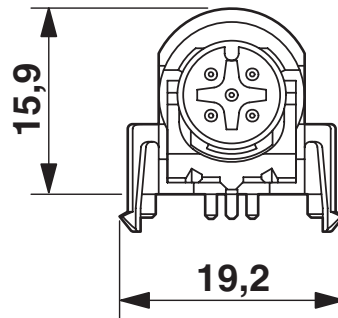
M12 flush-type connector, connector, side view

# Device connector, rear mounting - SACC-DSIV-MS-5CON-L90 SH SCO

1438037

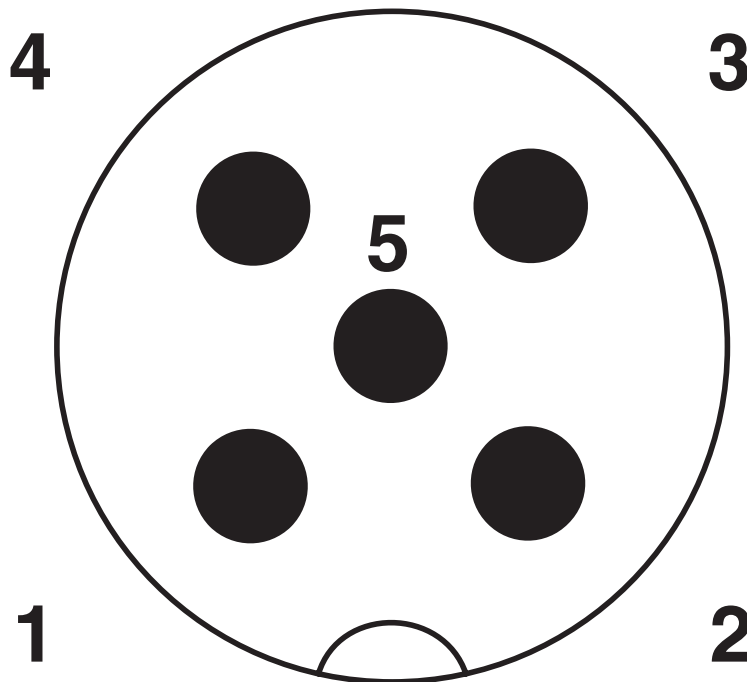
<https://www.phoenixcontact.com/us/products/1438037>

Dimensional drawing



M12 flush-type connector, plug, contact carrier, front view

Schematic diagram



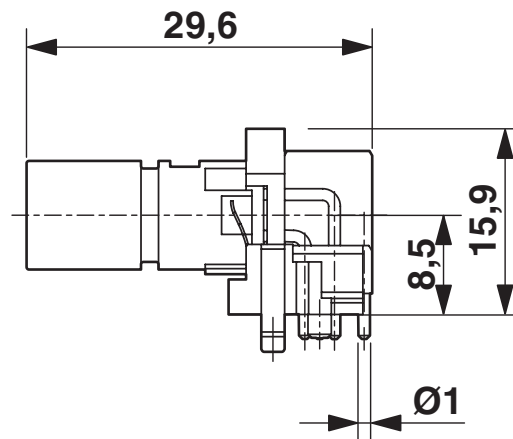
Pin assignment M12 male connector, 5-pos., A-coded, male side

# Device connector, rear mounting - SACC-DSIV-MS-5CON-L90 SH SCO

1438037

<https://www.phoenixcontact.com/us/products/1438037>

Dimensional drawing



M12 flush-type connector, plug, contact carrier, side view

# Device connector, rear mounting - SACC-DSIV-MS-5CON-L90 SH SCO



1438037

<https://www.phoenixcontact.com/us/products/1438037>

## Approvals



### UL Recognized

Approval ID: FILE E 118976

	Nominal Voltage $U_N$	Nominal Current $I_N$	Cross Section AWG	Cross Section $\text{mm}^2$
	60 V	4 A	- 22	-



### EAC

Approval ID: B.01687

# Device connector, rear mounting - SACC-DSIV-MS-5CON-L90 SH SCO



1438037

<https://www.phoenixcontact.com/us/products/1438037>

## Classifications

### ECLASS

ECLASS-9.0	27440102
ECLASS-10.0.1	27440102
ECLASS-11.0	27440102

### ETIM

ETIM 8.0	EC002635
----------	----------

### UNSPSC

UNSPSC 21.0	39121400
-------------	----------

# Device connector, rear mounting - SACC-DSIV-MS-5CON-L90 SH SCO



1438037

<https://www.phoenixcontact.com/us/products/1438037>

## Environmental Product Compliance

REACH SVHC	Lead 7439-92-1
China RoHS	Environmentally Friendly Use Period = 50 years
	For information on hazardous substances, refer to the manufacturer's declaration available under "Downloads"

Phoenix Contact 2022 © - all rights reserved  
<https://www.phoenixcontact.com>

Phoenix Contact USA  
586 Fulling Mill Road  
Middletown, PA 17057, United States  
(+717) 944-1300  
[info@phoenixcon.com](mailto:info@phoenixcon.com)