

# Distributor - VS-ASI-J-Y-N-M12FS-LC



1433155

<https://www.phoenixcontact.com/pc/products/1433155>

Please be informed that the data shown in this PDF document is generated from our Online Catalog. Please find the complete data in the user documentation. Our General Terms of Use for Downloads are valid.



AS-Interface distributor with IP67 protection for one flat-ribbon conductor, with a straight, A-coded, 2-pos. M12 socket

## Commercial Data

Item number	1433155
Packing unit	1 pc
Minimum order quantity	1 pc
Product Key	BF1GFA
Catalog Page	Page 440 (C-2-2019)
GTIN	4046356346245
Weight per Piece (including packing)	18.69 g
Weight per Piece (excluding packing)	17.08 g
Customs tariff number	85366990
Country of origin	DE

## Technical Data

### Product properties

Product type	Network distributor box
Number of positions	2
Coding	A - standard

### Insulation characteristics

Overvoltage category	II
Degree of pollution	3

### Electrical properties

Nominal voltage $U_N$	$\leq 32$ V DC
Nominal current $I_N$	4 A
Transmission medium	Copper

### Connection data

#### Connection technology

Connection method	AS-i penetration technique
-------------------	----------------------------

### Interfaces

Bus system	AS-Interface
------------	--------------

### LED signaling

Status display	No
Status display present	No

### Material specifications

Color	black
Sealing material	Neoprene (Flat gasket)
	FKM (O-ring)

### Connector

#### Connection 1

Type	Load center AS-i Screw locking
Number of positions	2
Material	CuZn (Contact)
	Sn (Contact surface)
	PA (Contact carriers)
	PA (Housing)

#### Connection 2

Type	Socket straight M12
Number of positions	2 (5)

# Distributor - VS-ASI-J-Y-N-M12FS-LC



1433155

<https://www.phoenixcontact.com/pc/products/1433155>

Material	Zinc die-cast, nickel-plated (Screw connection)
Insertion/withdrawal cycles	≥ 100
Tightening torque	0.4 Nm

## Environmental and real-life conditions

### Ambient conditions

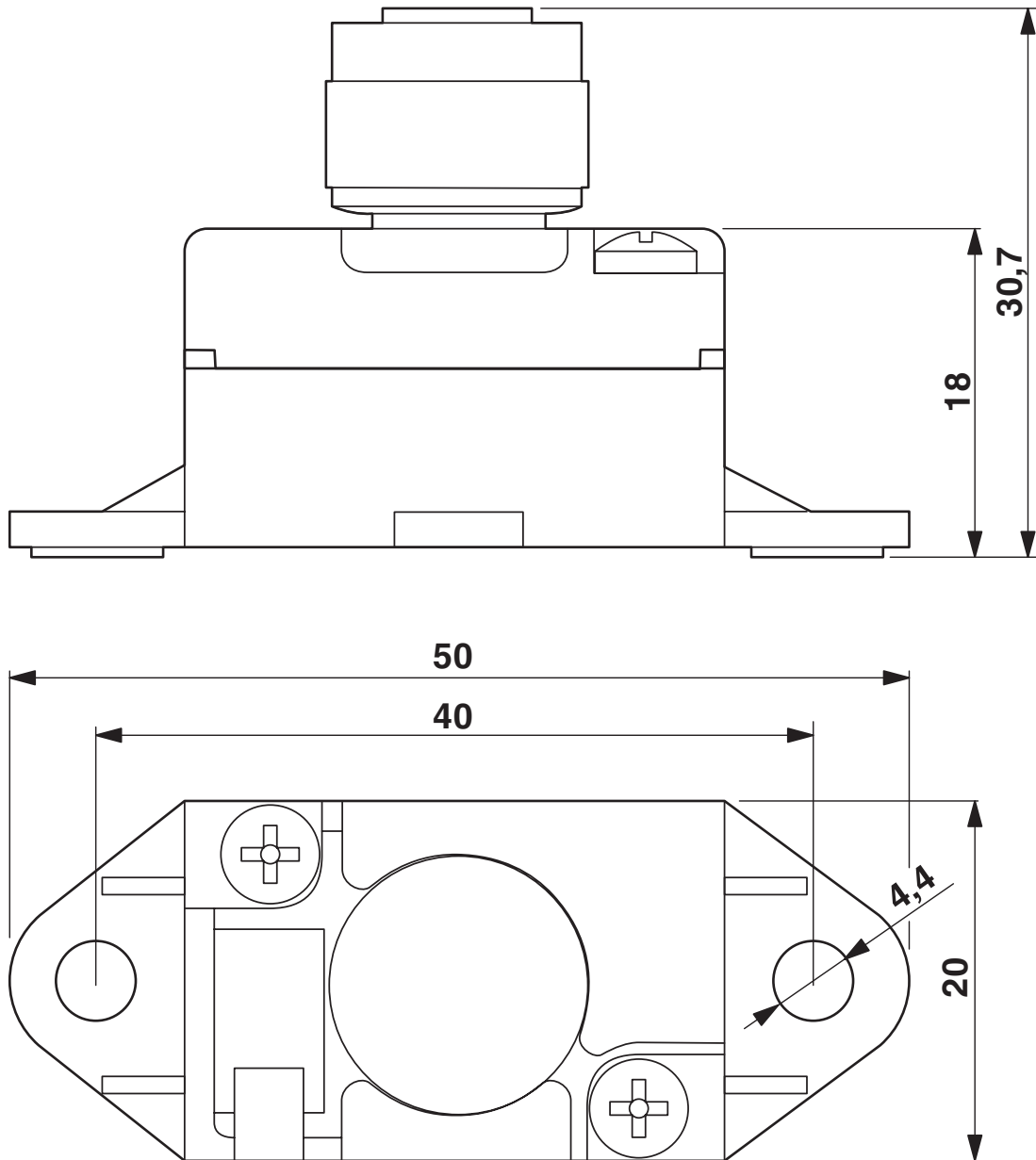
Degree of protection	IP67
Ambient temperature (operation)	-25 °C ... 70 °C
Ambient temperature (storage/transport)	-25 °C ... 70 °C

## Standards and regulations

Standards/specifications	IEC 61076-2-101
--------------------------	-----------------

Drawings

Dimensional drawing



1433155

<https://www.phoenixcontact.com/pc/products/1433155>

Schematic diagram



Pin assignment M12, PIN 1: AS-i +, PIN 3: AS-i -, PIN 2,4,5: Not used

1433155

<https://www.phoenixcontact.com/pc/products/1433155>

## Classifications

### ECLASS

ECLASS-9.0	27440106
ECLASS-10.0.1	27440106
ECLASS-11.0	27440106
ECLASS-12.0	27440106

### ETIM

ETIM 8.0	EC002925
----------	----------

### UNSPSC

UNSPSC 21.0	31251500
-------------	----------

1433155

<https://www.phoenixcontact.com/pc/products/1433155>

## Environmental Product Compliance

REACH SVHC	Lead 7439-92-1
China RoHS	Environmentally Friendly Use Period = 50 years
	For information on hazardous substances, refer to the manufacturer's declaration available under "Downloads"

1433155

<https://www.phoenixcontact.com/pc/products/1433155>

## Accessories

### Sensor/actuator cable

Sensor/actuator cable - SAC-4P-MS/ 0,3-186/FS SCO - 1555680

<https://www.phoenixcontact.com/pc/products/1555680>



Sensor/actuator cable, 4-position, PUR, black-gray RAL 7021, Plug straight M12 SPEEDCON, coding: A, on Socket straight M12 SPEEDCON, coding: A

---

### Sensor/actuator cable

Sensor/actuator cable - SAC-4P-MS/ 0,5-186/FS SCO - 1555693

<https://www.phoenixcontact.com/pc/products/1555693>



Sensor/actuator cable, 4-position, PUR, black-gray RAL 7021, Plug straight M12 SPEEDCON, coding: A, on Socket straight M12 SPEEDCON, coding: A

# Distributor - VS-ASI-J-Y-N-M12FS-LC

1433155

<https://www.phoenixcontact.com/pc/products/1433155>

## Sensor/actuator cable

Sensor/actuator cable - SAC-4P-MS/ 1,0-186/FS SCO - 1555703

<https://www.phoenixcontact.com/pc/products/1555703>



Sensor/actuator cable, 4-position, PUR, black-gray RAL 7021, Plug straight M12 SPEEDCON, coding: A, on Socket straight M12 SPEEDCON, coding: A

---

## Sensor/actuator cable

Sensor/actuator cable - SAC-4P-MS/ 2,0-186/FS SCO - 1555716

<https://www.phoenixcontact.com/pc/products/1555716>



Sensor/actuator cable, 4-position, PUR, black-gray RAL 7021, Plug straight M12 SPEEDCON, coding: A, on Socket straight M12 SPEEDCON, coding: A

# Distributor - VS-ASI-J-Y-N-M12FS-LC

1433155

<https://www.phoenixcontact.com/pc/products/1433155>

## Sensor/actuator cable

Sensor/actuator cable - SAC-4P-MS/ 5,0-186/FS SCO - 1555729

<https://www.phoenixcontact.com/pc/products/1555729>



Sensor/actuator cable, 4-position, PUR, black-gray RAL 7021, Plug straight M12 SPEEDCON, coding: A, on Socket straight M12 SPEEDCON, coding: A

---

## Sensor/actuator cable

Sensor/actuator cable - SAC-4P-MS/10,0-186/FS SCO - 1555732

<https://www.phoenixcontact.com/pc/products/1555732>



Sensor/actuator cable, 4-position, PUR, black-gray RAL 7021, Plug straight M12 SPEEDCON, coding: A, on Socket straight M12 SPEEDCON, coding: A

# Distributor - VS-ASI-J-Y-N-M12FS-LC

1433155

<https://www.phoenixcontact.com/pc/products/1433155>

## Sensor/actuator cable

Sensor/actuator cable - SAC-4P-MS/15,0-186/FS SCO - 1555745

<https://www.phoenixcontact.com/pc/products/1555745>



Sensor/actuator cable, 4-position, PUR, black-gray RAL 7021, Plug straight M12 SPEEDCON, coding: A, on Socket straight M12 SPEEDCON, coding: A

---

## Screw plug

Screw plug - PROT-M12 - 1680539

<https://www.phoenixcontact.com/pc/products/1680539>



An M12 screw plug for the unoccupied M12 sockets of the sensor/actuator cable, boxes and flush-type connectors

1433155

<https://www.phoenixcontact.com/pc/products/1433155>

## Screw plug

Screw plug - PROT-MS SCO - 1553129

<https://www.phoenixcontact.com/pc/products/1553129>



M12 screw plug with fast-locking system for unoccupied M12 female connectors of sensor/actuator cables, boxes, and flush-type connectors

---

## Screwdriver

Screwdriver - SZK PH1 VDE - 1205150

<https://www.phoenixcontact.com/pc/products/1205150>



Screwdriver, PH crosshead, VDE insulated, size: PH 1 x 80 mm, 2-component grip, with non-slip grip

---

Phoenix Contact 2023 © - all rights reserved  
<https://www.phoenixcontact.com>

PHOENIX CONTACT GmbH & Co. KG  
Flachsmarktstraße 8  
D-32825 Blomberg  
+49 (0) 5235-3 00  
[info@phoenixcontact.com](mailto:info@phoenixcontact.com)