


Protective covers - HC-STA-B32-BCSFD-PL-BK - 1424850

Please be informed that the data shown in this PDF Document is generated from our Online Catalog. Please find the complete data in the user's documentation. Our General Terms of Use for Downloads are valid (<http://phoenixcontact.com/download>)

Protective cover B32, for double locking latch, protective cover material: PA, height: 24.8 mm, seal: no, Standard, With lanyard



Key Commercial Data

Packing unit	1 pc
GTIN	 4 055626 382555
GTIN	4055626382555
Weight per Piece (excluding packing)	100.000 g
Custom tariff number	85389099
Country of origin	China

Technical data

Dimensions

Height	24.8 mm
Width	88.5 mm
Length	99 mm

Ambient conditions

Degree of protection (IP)	IP66
Ambient temperature (operation)	-40 °C ... 125 °C

General

Size	B32
Housing type	Protective cover
Color	black

Protective covers - HC-STA-B32-BCSFD-PL-BK - 1424850

Technical data

General

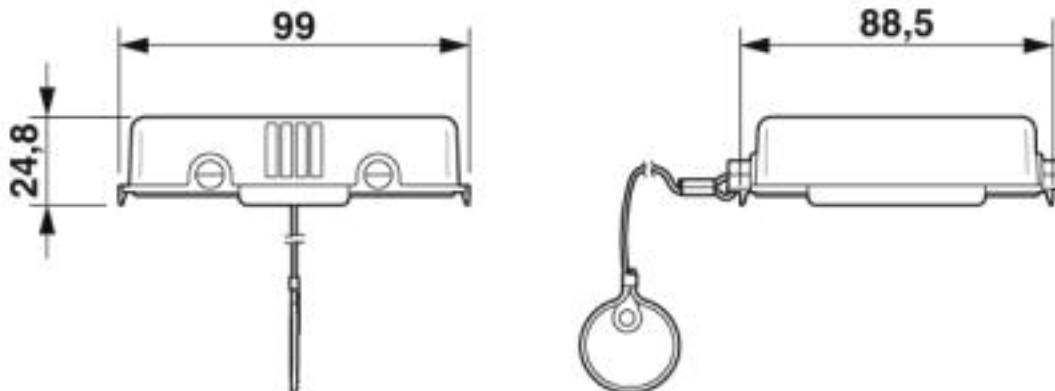
Locking type	for double locking latch
Material	PA
Material, protective cover	PA
Connection	Plastic protective cover for short-term protection

Environmental Product Compliance

China RoHS	Environmentally Friendly Use Period = 50
	For details about hazardous substances go to tab "Downloads", Category "Manufacturer's declaration"

Drawings

Dimensional drawing



Dimensional drawing

Classifications

eCl@ss

eCl@ss 6.0	27261200
eCl@ss 7.0	27440208
eCl@ss 8.0	27440208
eCl@ss 9.0	27440208

ETIM

ETIM 5.0	EC002314
ETIM 6.0	EC002314
ETIM 7.0	EC002314

Protective covers - HC-STA-B32-BCSFD-PL-BK - 1424850

Approvals

Approvals

Approvals

DNV GL

Ex Approvals

Approval details

DNV GL		https://approvalfinder.dnvgl.com/	TAE000037S
--------	---	---	------------
