

## Housing - HC-STA-B32-CHWD-1TTP36-ELC-AL - 1424840

Please be informed that the data shown in this PDF Document is generated from our Online Catalog. Please find the complete data in the user's documentation. Our General Terms of Use for Downloads are valid (<http://phoenixcontact.com/download>)




Coupling housings B32, with double locking latch, material: Die-cast aluminum, salt water resistant, cable outlets: 1, straight, height: 99.8 mm, cable gland: none, support sleeve: no, 1x Pg36, Standard

### Your advantages

- good shielding in the event of electromagnetic interference



### Key Commercial Data

Packing unit	1 pc
GTIN	 4 055626 382456
GTIN	4055626382456
Weight per Piece (excluding packing)	460.000 g
Custom tariff number	85389099
Country of origin	China

### Technical data

#### Dimensions

Height	99.8 mm
Width	82.5 mm
Length	94 mm

#### Ambient conditions

Degree of protection (IP)	IP66
	IP67
Ambient temperature (operation)	-40 °C ... 125 °C

## Housing - HC-STA-B32-CHWD-1TTP36-ELC-AL - 1424840

### Technical data

#### General

Size	B32
Housing type	Coupling housings
Color	gray aluminum
Locking type	with double locking latch
No. of cable outlets	1
Cable outlet	straight
Screw connection	none
Type of the screw connection	1x Pg36
Housing material	Die-cast aluminum, salt water resistant
Housing surface material	uncoated
Seal material	NBR, conductive
Material lock	PA

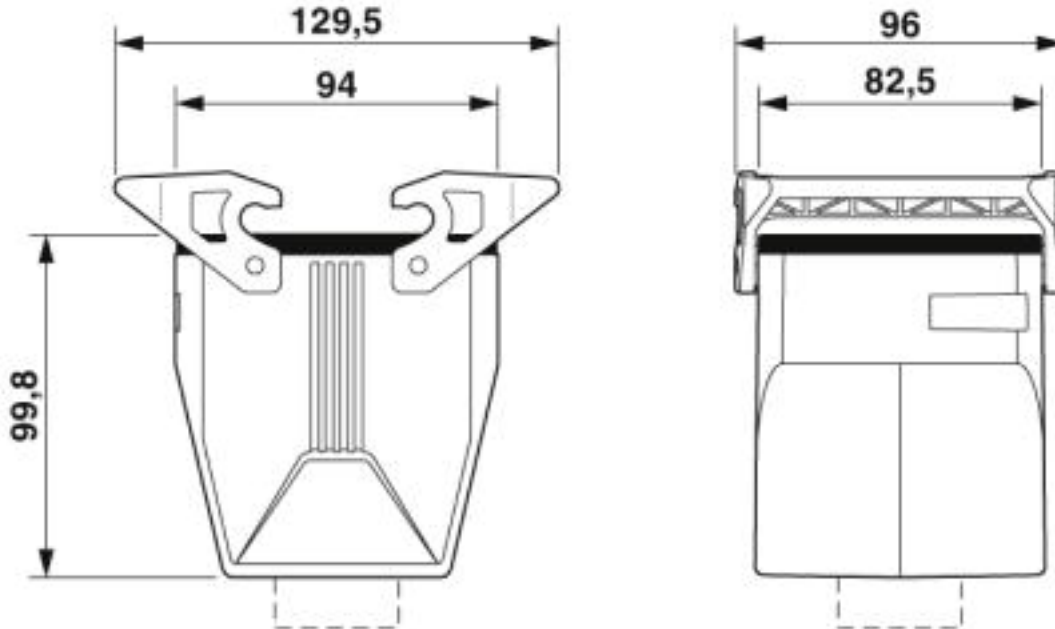
#### Environmental Product Compliance

China RoHS	Environmentally Friendly Use Period = 50
	For details about hazardous substances go to tab "Downloads", Category "Manufacturer's declaration"

### Drawings

# Housing - HC-STA-B32-CHWD-1TTP36-ELC-AL - 1424840

Dimensional drawing



Dimensional drawing

## Classifications

eCl@ss

eCl@ss 5.1	27261200
eCl@ss 6.0	27261200
eCl@ss 7.0	27440202
eCl@ss 8.0	27440202
eCl@ss 9.0	27440202

ETIM

ETIM 5.0	EC000437
ETIM 6.0	EC000437
ETIM 7.0	EC000437

## Approvals

Approvals

Approvals

DNV GL

## Housing - HC-STA-B32-CHWD-1TTP36-ELC-AL - 1424840

### Approvals

---

Ex Approvals

---

### Approval details

DNV GL		<a href="https://approvalfinder.dnvgl.com/">https://approvalfinder.dnvgl.com/</a>	TAE000037S
--------	---	---	------------

### Accessories

#### Accessories

#### Protective cover

Protective covers - HC-STA-B32-BCSFD-PL-BK - 1424850



Protective cover B32, for double locking latch, protective cover material: PA, height: 24.8 mm, seal: no, Standard, With lanyard