


Seal - HC-D07-SG-RBK - 1424441

Please be informed that the data shown in this PDF Document is generated from our Online Catalog. Please find the complete data in the user's documentation. Our General Terms of Use for Downloads are valid (<http://phoenixcontact.com/download>)

Replacement seal for HC-D7 housing



Key Commercial Data

Packing unit	1 pc
GTIN	 4 055626 372709
GTIN	4055626372709
Weight per Piece (excluding packing)	2.000 g
Custom tariff number	85366990
Country of origin	China

Technical data

Dimensions

Length	23.7 mm
Width	23.7 mm
Height	2.45 mm

Ambient conditions

Ambient temperature (operation)	-40 °C ... 125 °C
---------------------------------	-------------------

General

Material	NBR
Seal material	NBR
Color	black

Environmental Product Compliance

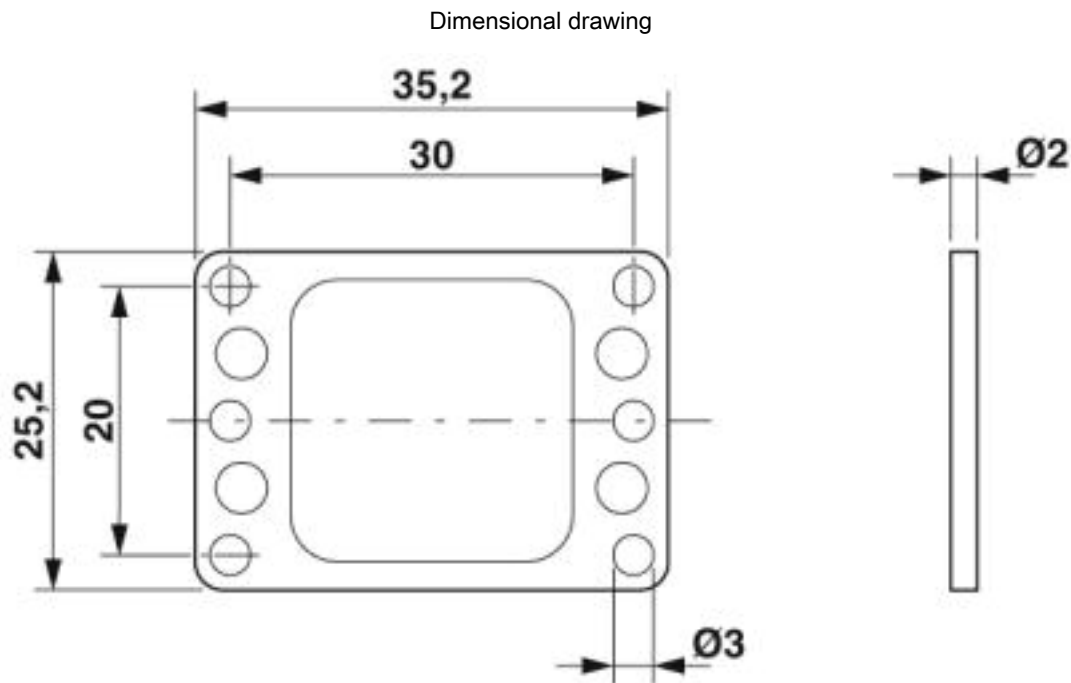
Seal - HC-D07-SG-RBK - 1424441

Technical data

Environmental Product Compliance

China RoHS	Environmentally friendly use period: unlimited = EFUP-e
	No hazardous substances above threshold values

Drawings



Dimensional drawing

Classifications

eCl@ss

eCl@ss 10.0.1	23071590
eCl@ss 5.1	27181006
eCl@ss 6.0	23071500
eCl@ss 7.0	23071590
eCl@ss 8.0	23071590
eCl@ss 9.0	23071590

ETIM

ETIM 5.0	EC001181
ETIM 6.0	EC001181

Seal - HC-D07-SG-RBK - 1424441

Classifications

ETIM

ETIM 7.0	EC001181
----------	----------

Approvals

Approvals

Approvals

EAC

Ex Approvals

Approval details

EAC		EAC-Zulassung
-----	--	---------------
