

# Housing - HC-STA-D15-CHWS-1TTP16-EL-AL - 1424360


Please be informed that the data shown in this PDF Document is generated from our Online Catalog. Please find the complete data in the user's documentation. Our General Terms of Use for Downloads are valid (<http://phoenixcontact.com/download>)



Coupling housings D15, With single locking latch, Material: Die-cast aluminum, salt water resistant, Cable outlets: 1, straight, Height: 64 mm, Cable gland: none, Gland: no, 1x Pg16, Standard



## Key Commercial Data

Packing unit	1
GTIN	 4 055626 371023
GTIN	4055626371023

## Technical data

### Dimensions

Height	64 mm
Width	30 mm
Length	63.5 mm

### Ambient conditions

Degree of protection of housing (IP)	IP66
	IP67
Degree of protection of housing (NEMA)	4 (UL 50e)
	4X (UL 50e)
	12 (UL 50e)
Ambient temperature (operation)	-40 °C ... 125 °C

### General

Note	For contact inserts HC-D15, A10
Size	D15

# Housing - HC-STA-D15-CHWS-1TTP16-EL-AL - 1424360

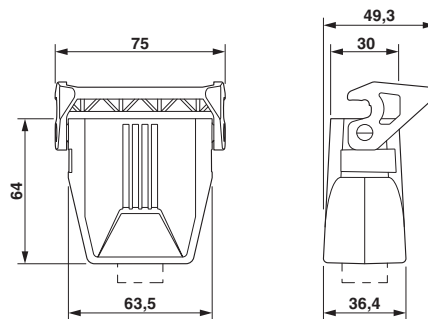
## Technical data

### General

Housing type	Coupling housings
Color	silver
Locking type	With single locking latch
No. of cable outlets	1
Cable exit	straight
Screw connection	none
Type of the screw connection	1x Pg16
Housing material	Die-cast aluminum, salt water resistant

## Drawings

Dimensional drawing



Dimensional drawing

## Classifications

### eCl@ss

eCl@ss 5.1	27143424
eCl@ss 6.0	27261203
eCl@ss 7.0	27440202
eCl@ss 8.0	27440202
eCl@ss 9.0	27440202

### ETIM

ETIM 5.0	EC000437
----------	----------