

# Connector hood - SACB-C-H180-8/16-15,0PUR SCO P - 1422787


Please be informed that the data shown in this PDF Document is generated from our Online Catalog. Please find the complete data in the user's documentation. Our General Terms of Use for Downloads are valid (<http://phoenixcontact.com/download>)



Connector hood, application: Sensor/actuator box, connection method: M12-SPEEDCON-socket Plastic, number of slots: 8, slot assignment: Double, status display: No; master cable connection: Pluggable screw connection 180°, PUR/PVC, cable length: 15 m, shielding: no



## Key Commercial Data

|                                      |   |
|--------------------------------------|---|
| Packing unit                         | 1 pc  |
| GTIN                                 | <br>4 055626 314839 |
| GTIN                                 | 4055626314839   |
| Weight per Piece (excluding packing) | 3,072.000 g   |
| Custom tariff number                 | 85444290  |
| Country of origin                    | Germany   |
| Note                                 | Made to Order (non-returnable)  |

## Technical data

### General

|  |   |
|--|---|
| Rated voltage                            | 120 V AC  |
|  | 120 V DC  |
| Current carrying capacity per I/O signal | 2 A   |
| Current carrying capacity per slot       | 4 A   |
| Total rated current                      | 10 A  |
| Number of slots                          | 8   |
| Sensor/actuator connection system        | M12-SPEEDCON-socket   |
| Note                                     | NOTE: Observe the permissible bending radii when laying conductors, since the degree of protection may be put in jeopardy if the bending forces are too high. Alleviate mechanical loads upstream of the connector, e.g. by using cable ties. |

### Ambient conditions

|                      |      |
|----------------------|------|
| Degree of protection | IP65 |
|                      | IP67 |

# Connector hood - SACB-C-H180-8/16-15,0PUR SCO P - 1422787

## Technical data

### Ambient conditions

|                                 |   |
|---------------------------------|---|
| Ambient temperature (operation) | -25 °C ... 80 °C                            |
|                                 | -40 °C ... 90 °C (for fixed installation)   |
|                                 | -5 °C ... 80 °C (for flexible installation) |

### Master cable connection data

|                                |                            |
|--------------------------------|----------------------------|
| Connection method              | Pluggable screw connection |
| Length of cable                | 15 m                       |
| Tightening torque, cover screw | 1 Nm                       |
| Tightening torque, union nut   | 2.5 Nm                     |

### Insulation material

|  |          |
|--|----------|
| Housing material   | PBT      |
| Material of contact, master cable side                   | CU alloy |
| Material of contact surface, master cable side           | Sn       |
| Material of the contact carrier on the master cable side | PA       |
| Sealing material   | NBR      |

### Pin assignment

|  |                        |
|--|------------------------|
| Slot/position = Wire color or connection | 1 / 4 (A) = WH         |
|  | 1 / 2 (B) = GY/PK      |
|  | 2 / 4 (A) = GN         |
|  | 2 / 2 (B) = RD/BU      |
|  | 3 / 4 (A) = YE         |
|  | 3 / 2 (B) = WH/GN      |
|  | 4 / 4 (A) = GY         |
|  | 4 / 2 (B) = BN/GN      |
|  | 5 / 4 (A) = PK         |
|  | 5 / 2 (B) = WH/YE      |
|  | 6 / 4 (A) = RD         |
|  | 6 / 2 (B) = YE/BN      |
|  | 7 / 4 (A) = BK         |
|  | 7 / 2 (B) = WH/GY      |
|  | 8 / 4 (A) = VT         |
|  | 8 / 2 (B) = GY/BN      |
|  | 1-8 / 1 (+ 120 V) = BN |
|  | 1-8 / 3 (0 V) = BU     |
|  | 1-8 / 5 (PE) = GN/YE   |

### Cable

|                           |                    |
|---------------------------|--------------------|
| Cable type                | PUR/PVC black      |
| Cable type (abbreviation) | PUR                |
| Cable abbreviation        | LiYY11Y-HF         |
| UL AWM style              | 20549 (80°C/300 V) |

# Connector hood - SACB-C-H180-8/16-15,0PUR SCO P - 1422787

## Technical data

### Cable

|   |  |
|---|--|
| Conductor cross section                         | 16x 0.5 mm <sup>2</sup> (Signal line)  |
|   | 3x 1 mm <sup>2</sup> (power line)  |
| AWG signal line                                 | 20   |
| AWG power supply                                | 17   |
| Conductor structure signal line                 | 28x 0.15 mm  |
| Conductor structure, voltage supply             | 56x 0.15 mm  |
| Core diameter including insulation              | 1.5 mm ±0.1 mm (Signal line)   |
|   | 2.1 mm ±0.1 mm (power line)  |
| Wire colors                                     | brown, blue, green/yellow, white, green, yellow, gray, pink, red, black, violet, gray/pink, red/blue, white/green, brown/green, white/yellow, yellow/brown, white/gray, gray/brown |
| Overall twist                                   | Wires twisted in layers  |
| External sheath, color                          | black RAL 9005   |
| Inner sheath thickness                          | ≥ 0.15 mm  |
| Outer sheath thickness                          | ≥ 0.76 mm  |
| External cable diameter D                       | 10.5 mm ±0.2 mm  |
| Minimum bending radius, fixed installation      | 7.5 x D  |
| Minimum bending radius, flexible installation   | 10 x D   |
| Number of bending cycles                        | 1500000  |
| Minimum bending radius, drag chain applications | 10 x D   |
| Traversing path                                 | 2 m  |
| Traversing rate                                 | 2 m/s  |
| Cable weight                                    | 183.7 kg/km  |
| Outer sheath, material                          | PUR  |
| Material, inner sheath                          | PVC  |
| Material conductor insulation                   | PVC  |
| Conductor material                              | Bare Cu litz wires   |
| Nominal voltage, cable                          | 300 V  |
| Test voltage, cable                             | 2000 V   |
| Special properties                              | Silicone-free  |
| Flame resistance                                | according to DIN EN 50265  |
| Resistance to oil                               | according to VDE 0472 Part 803   |
| Other resistance                                | Highly resistant to acids, alkaline solutions and solvents   |
| Ambient temperature (operation)                 | -40 °C ... 90 °C (cable, fixed installation)   |
|   | -5 °C ... 80 °C (cable, flexible installation)   |

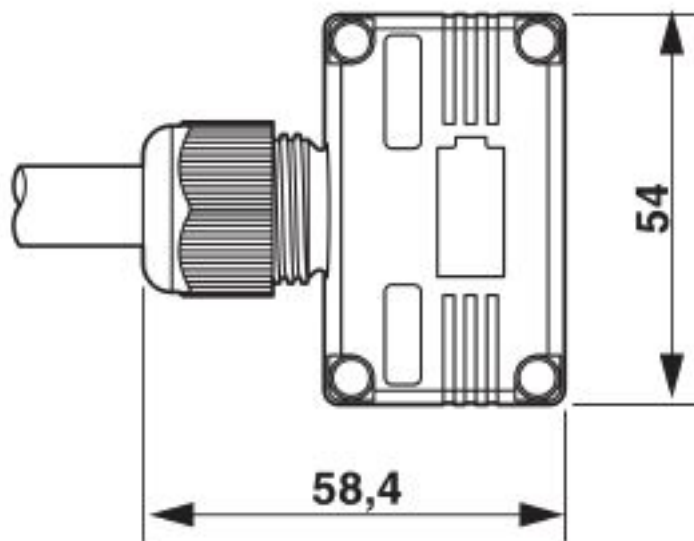
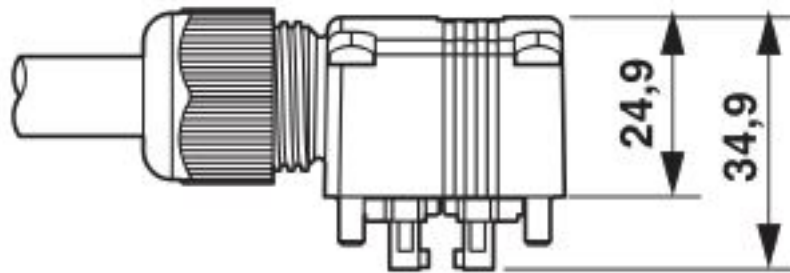
### Environmental Product Compliance

|            |   |
|------------|---|
| REACH SVHC | Lead 7439-92-1  |
| China RoHS | Environmentally Friendly Use Period = 50 years  |
|            | For details about hazardous substances go to tab "Downloads", Category "Manufacturer's declaration" |

# Connector hood - SACB-C-H180-8/16-15,0PUR SCO P - 1422787

## Drawings

Dimensional drawing



# Connector hood - SACB-C-H180-8/16-15,0PUR SCO P - 1422787

Cable cross section



PUR/PVC black [PUR]

## Classifications

eCl@ss

|            |          |
|------------|----------|
| eCl@ss 5.1 | 27250300 |
| eCl@ss 6.0 | 27279200 |
| eCl@ss 7.0 | 27279219 |
| eCl@ss 9.0 | 27440108 |

ETIM

|          |          |
|----------|----------|
| ETIM 6.0 | EC002585 |
| ETIM 7.0 | EC002585 |

# Connector hood - SACB-C-H180-8/16-15,0PUR SCO P - 1422787

## Approvals

### Approvals

---

Approvals

EAC

---

Ex Approvals

---

### Approval details

|     |   |                          |
|-----|---|--------------------------|
| EAC |  | RU C-<br>DE.BL08.B.00511 |
|-----|---|--------------------------|

## Accessories

### Accessories

#### Cable by the meter

Master cable ring - SACB-16X0,5/ 3X1,0-50,0 PUR - 1503373



Master cable for sensor/actuator boxes, with PE conductor, unshielded, material PUR/PP, 19-pos., 16 x 0.50 mm<sup>2</sup> and 3 x 1.00 mm<sup>2</sup>, length: 50 m

---

Master cable ring - SACB-16X0,5/ 3X1,0-200,0 PUR - 1559893



Master cable for sensor/actuator boxes, with PE conductor, unshielded, material PUR/PP, 19-pos., 16 x 0.50 mm<sup>2</sup> and 3 x 1.00 mm<sup>2</sup>, length: 200 m on drum

---

Master cable ring - SACB-16X0,5/ 3X1,0-50,0 VPUR - 1430938



Master cable for sensor/actuator boxes, with PE conductor, unshielded, material PUR/PP, 19-pos., 16 x 0.50 mm<sup>2</sup> and 3 x 1.00 mm<sup>2</sup>, length: 50 m

---

## Device marking

## Connector hood - SACB-C-H180-8/16-15,0PUR SCO P - 1422787

### Accessories

#### Snap-in markers - UC-EM (17,5X9) - 0827490



Snap-in markers, Sheet, white, unlabeled, can be labeled with: BLUEMARK ID, BLUEMARK ID COLOR, BLUEMARK CLED, BLUEMARK LED, CMS-P1-PLOTTER, PLOTMARK, mounting type: snapped into marker carrier, lettering field size: 17.5 x 9 mm, Number of individual labels: 20

#### Snap-in markers - UCT-EM (17,5X9) - 0801491



Snap-in markers, Sheet, white, unlabeled, can be labeled with: TOPMARK NEO, TOPMARK LASER, BLUEMARK ID COLOR, BLUEMARK ID, BLUEMARK CLED, THERMOMARK PRIME, THERMOMARK CARD 2.0, THERMOMARK CARD, mounting type: snapped into marker carrier, lettering field size: 17.5 x 9 mm, Number of individual labels: 24

#### Snap-in markers - UC-EM (17,5X9) YE - 0827494



Snap-in markers, Sheet, yellow, unlabeled, can be labeled with: BLUEMARK ID COLOR, BLUEMARK ID, BLUEMARK CLED, PLOTMARK, CMS-P1-PLOTTER, mounting type: snapped into marker carrier, lettering field size: 17.5 x 9 mm, Number of individual labels: 20

#### Snap-in markers - UCT-EM (17,5X9) YE - 0801492



Snap-in markers, Sheet, yellow, unlabeled, can be labeled with: TOPMARK NEO, TOPMARK LASER, BLUEMARK ID COLOR, BLUEMARK ID, BLUEMARK CLED, THERMOMARK PRIME, THERMOMARK CARD 2.0, THERMOMARK CARD, mounting type: snapped into marker carrier, lettering field size: 17.5 x 9 mm, Number of individual labels: 24

### Header with metric measurement slots

#### Sensor/actuator box header - SACB-8/16-L-C GG SCO P - 1452916



Sensor/actuator box header, application: Standard, connection method: M12-SPEEDCON-socket Plastic, number of slots: 8, number of positions: 5, coding: A - standard, slot assignment: Double, status display: yes, pnp; master cable connection: Pluggable screw connection, shielding: no

### Labeled device marker

## Connector hood - SACB-C-H180-8/16-15,0PUR SCO P - 1422787

### Accessories

Snap-in markers - UC-EM (17,5X9) CUS - 0828238



Snap-in markers, can be ordered: by sheet, white, labeled according to customer specifications, mounting type: snapped into marker carrier, lettering field size: 17.5 x 9 mm, Number of individual labels: 20

---

Snap-in markers - UCT-EM (17,5X9) CUS - 0801575



UniCard sheet, for labeling devices from other manufacturers, for overview table see download area, labeled according to customer specifications

---

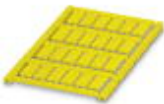
Snap-in markers - UC-EM (17,5X9) YE CUS - 0828239



Snap-in markers, can be ordered: by sheet, yellow, labeled according to customer specifications, mounting type: snapped into marker carrier, lettering field size: 17.5 x 9 mm, Number of individual labels: 20

---

Snap-in markers - UCT-EM (17,5X9) YE CUS - 0801576



UniCard sheet, for labeling devices from other manufacturers, for overview table see download area, labeled according to customer specifications

---

### Screwdriver tools

Philips screwdriver - SZK PZ2 VDE - 1206463



Screwdriver, PZ crosshead, VDE insulated, size: PZ 2 x 100 mm, 2-component grip, with non-slip grip

## Connector hood - SACB-C-H180-8/16-15,0PUR SCO P - 1422787

### Accessories

Tool - SAC BIT HOOD-W 24 - 1212486

Nut for assembling pressure nuts with 24 mm wrench size, for 4 mm hexagonal drive



---

Adapter insert - TSD-M SAC-BIT ADAPTER - 1212600



Adapter bit for TSD-M...torque tools, E6.3-1/4" drive with 4 mm hexagon to accommodate SAC bits

---

Screw insert - SF-BIT-PZ 2-50 - 1212592



Screw bit, PZ crosshead, E6.3-1/4" drive, size: PZ 2 x 50 mm, hardened, suitable for holder according to DIN 3126-F6.3/ISO 1173

---

Torque tool

Torque screwdriver - TSD 25 SAC - 1212315



Torque screwdriver, with preset torque of 2.5 Nm and 4 mm hexagonal drive for the pressure nut of the connector hood

---

Torque screwdriver - TSD-M 1,2NM - 1212224



Torque screw driver, accuracy as per EN ISO 6789 standard, adjustable from 0.3 - 1.2 Nm

## Connector hood - SACB-C-H180-8/16-15,0PUR SCO P - 1422787

### Accessories

Torque screwdriver - TSD-M 3NM - 1212225



Torque screw driver, accuracy as per EN ISO 6789 standard, adjustable from 1.2 - 3 Nm

---

Phoenix Contact 2020 © - all rights reserved  
<http://www.phoenixcontact.com>