

# Housing - HC-STA-B06-HHFS-BLANK-EL-AL



1419901

<https://www.phoenixcontact.com/pc/products/1419901>

Please be informed that the data shown in this PDF document is generated from our Online Catalog. Please find the complete data in the user documentation. Our General Terms of Use for Downloads are valid.

---



Sleeve housing B6, for single locking latch, material: Die-cast aluminum, salt water resistant, variable, height: 72 mm, cable gland: none, Standard, Without thread opening for screw connection

---

## Product Description

Sleeve housing, without screw thread

## Your advantages

- good shielding in the event of electromagnetic interference

# Housing - HC-STA-B06-HHFS-BLANK-EL-AL



1419901

<https://www.phoenixcontact.com/pc/products/1419901>

## Commercial Data

Item number	1419901
Packing unit	1 pc
Minimum order quantity	1 pc
Product Key	BF7APB
Catalog Page	Page 600 (C-2-2019)
GTIN	4055626201252
Weight per Piece (including packing)	185.3 g
Weight per Piece (excluding packing)	185.3 g
Customs tariff number	85389099
Country of origin	CN

1419901

<https://www.phoenixcontact.com/pc/products/1419901>

## Technical Data

### Notes

General	For contact inserts HC-B6, BB10, DD24, M Tall housings for extra large wiring space
---------	---

### Product properties

Type	B6
Product type	Housing with locking latch
Application	Standard
Housing type	Sleeve housing
Locking type	for single locking latch
Cable outlet	variable
Pg screw connection	none

### Dimensions

Dimensional drawing	
Width	44 mm
Height	72 mm
Length	60 mm

### Material specifications

Color	gray aluminum
Housing surface material	uncoated
Impact strength	IK08
Housing material	Die-cast aluminum, salt water resistant

### Ambient conditions

Degree of protection	IP66
	IP67
Degree of protection	4 (UL 50e)
	4X (UL 50e)
	12 (UL 50e)
Impact strength	IK08
Ambient temperature (operation)	-40 °C ... 125 °C

### Mechanical properties

#### Mechanical data

Locking type	Pin
--------------	-----

# Housing - HC-STA-B06-HHFS-BLANK-EL-AL

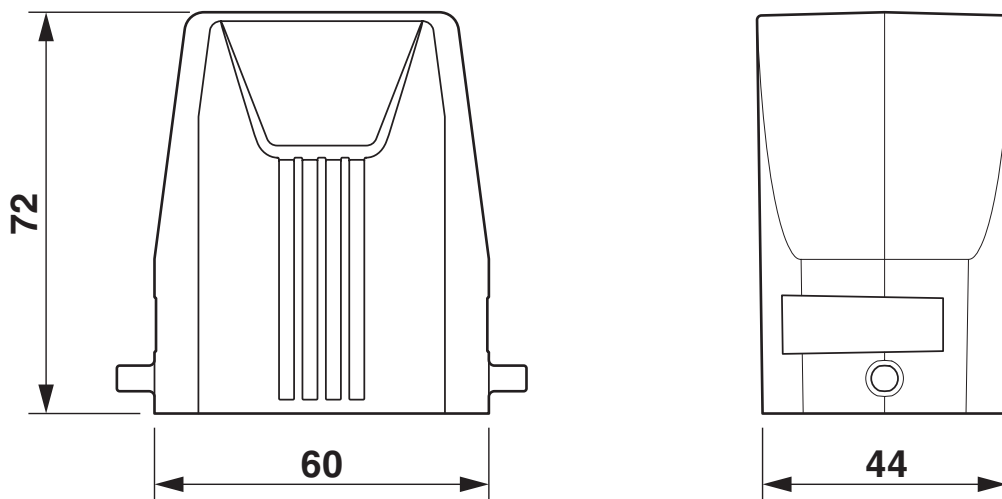


1419901

<https://www.phoenixcontact.com/pc/products/1419901>

## Drawings

Dimensional drawing



Dimensional drawing

# Housing - HC-STA-B06-HHFS-BLANK-EL-AL



1419901

<https://www.phoenixcontact.com/pc/products/1419901>

## Approvals

**DNV**

Approval ID: TAE000037S



**EAC**

Approval ID: RU C-DE.AI30.B.01102



**EAC**

Approval ID: RU C-DE.BL08.B.00511

1419901

<https://www.phoenixcontact.com/pc/products/1419901>

## Classifications

### ECLASS

ECLASS-9.0	27440202
ECLASS-10.0.1	27440202
ECLASS-11.0	27440202

### ETIM

ETIM 8.0	EC000437
----------	----------

### UNSPSC

UNSPSC 21.0	31261500
-------------	----------

# Housing - HC-STA-B06-HHFS-BLANK-EL-AL



1419901

<https://www.phoenixcontact.com/pc/products/1419901>

## Environmental Product Compliance

China RoHS	Environmentally friendly use period: unlimited = EFUP-e
	No hazardous substances above threshold values

1419901

<https://www.phoenixcontact.com/pc/products/1419901>

## Accessories

### Plastic label

Plastic label - US-EMLP (20X9) CUS - 0830085

<https://www.phoenixcontact.com/pc/products/0830085>

Plastic label, can be ordered: by card, white, labeled according to customer specifications, mounting type: adhesive, lettering field size: 20 x 9 mm, Number of individual labels: 75



---

### Protective cover

Protective cover - HC-B06-HCLWS-PLR-BK - 1414634

<https://www.phoenixcontact.com/pc/products/1414634>

Protective cover B6, with single locking latch, protective cover material: PA, height: 21.6 mm, seal: yes, diameter of retaining cord eyelet: 30 mm



---

Phoenix Contact 2022 © - all rights reserved

<https://www.phoenixcontact.com>

PHOENIX CONTACT GmbH & Co. KG

Flachsmarktstraße 8

D-32825 Blomberg

+49 (0) 5235-3 00

[info@phoenixcontact.com](mailto:info@phoenixcontact.com)