

Counter nut - A-INL-M40-P-LG - 1417664


Please be informed that the data shown in this PDF Document is generated from our Online Catalog. Please find the complete data in the user's documentation. Our General Terms of Use for Downloads are valid (<http://phoenixcontact.com/download>)

Counter nut, material: PA 6 GF 30, for threads M40 x 1.5, color: lightgrey RAL 7035



RoHS

Key Commercial Data

Packing unit	1 pc
GTIN	 4 055626 121666
GTIN	4055626121666
Weight per Piece (excluding packing)	4.000 g
Custom tariff number	39269097
Country of origin	Turkey

Technical data

Dimensions

Length	7 mm
Connecting thread diameter	40 mm
Wrench size, counter nut	50 mm
Hexagon angular dimension	55.3 mm

Ambient conditions

Ambient temperature (operation)	-40 °C ... 100 °C
---------------------------------	-------------------

General

Material	PA 6 GF 30
Color	lightgrey RAL 7035

Standards and Regulations

Counter nut - A-INL-M40-P-LG - 1417664

Technical data

Standards and Regulations

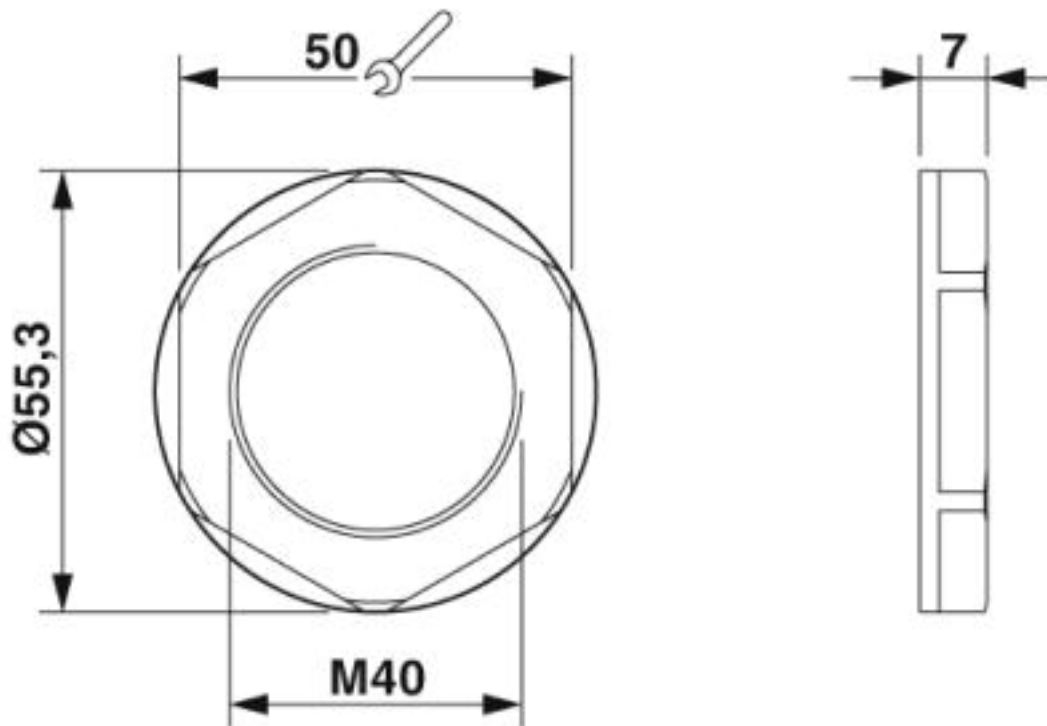
Halogen-free	yes
--------------	-----

Environmental Product Compliance

China RoHS	Environmentally friendly use period: unlimited = EFUP-e
	No hazardous substances above threshold values

Drawings

Dimensional drawing



Classifications

eCl@ss

eCl@ss 10.0.1	27144424
eCl@ss 4.0	23110700
eCl@ss 4.1	23110700
eCl@ss 5.0	23110700
eCl@ss 5.1	23110700
eCl@ss 6.0	23110700

Counter nut - A-INL-M40-P-LG - 1417664

Classifications

eCl@ss

eCl@ss 7.0	23110701
eCl@ss 8.0	27069219
eCl@ss 9.0	27144424

ETIM

ETIM 5.0	EC000129
ETIM 6.0	EC000940
ETIM 7.0	EC000940

UNSPSC

UNSPSC 13.2	31161727
UNSPSC 18.0	31161716
UNSPSC 19.0	31161716
UNSPSC 20.0	31161716
UNSPSC 21.0	31161716