

Network cable - VS-PPC/ME-OE-94F-LI/5,0



1415351

<https://www.phoenixcontact.com/us/products/1415351>

Please be informed that the data shown in this PDF document is generated from our Online Catalog. Please find the complete data in the user documentation. Our General Terms of Use for Downloads are valid.



Assembled Ethernet cable, CAT6, shielded, 4-pair, AWG 26 stranded (7-wire), RAL 5021 (water blue), RJ45 plug/IP67 push-pull metal housing on free conductor end, line, length 5 m

Commercial Data

Item number	1415351
Packing unit	1 pc
Minimum order quantity	1 pc
Note	Made to Order (non-returnable)
Sales Key	A08
Product Key	ABNEAJ
Catalog Page	Page 209 (PC-2009)
GTIN	4046356474870
Weight per Piece (including packing)	292.5 g
Weight per Piece (excluding packing)	272 g
Customs tariff number	85444210
Country of origin	PL

1415351

<https://www.phoenixcontact.com/us/products/1415351>

Technical Data

Product properties

Product type	Data cable preassembled
Number of positions	8
Connection profile	RJ45
No. of cable outlets	1
Locking type	Push Pull
Shielded	yes
Cable outlet	straight

Insulation characteristics

Degree of pollution	2
---------------------	---

Electrical properties

Transmission medium	Copper
---------------------	--------

Material specifications

Flammability rating according to UL 94	V2
--	----

Connector

Insertion/withdrawal cycles	≥ 200
-----------------------------	-------

Connection 1

Material	Metal
Degree of protection	IP67

Cable / line

Cable length	5.00 m
Cable weight	44.00 kg/km
Cable type	Ethernet
Cable structure	4x2xAWG26/7; S/FTP
External cable diameter	6.70 mm
Outer sheath, material	PUR
External sheath, color	water blue RAL 5021
Conductor material	Bare Cu litz wires
Conductor structure signal line	7x 0.16 mm
AWG signal line	26
Wire diameter incl. insulation	1 mm
Single wire, color	White-blue, white-orange, white-green, white-brown
Wave impedance	100 Ω ±5 % (at 100 MHz)
Smallest bending radius, fixed installation	min. 33.5 mm
Smallest bending radius, movable installation	min. 33.5 mm
Smallest bending radius, fixed installation	min. 33.5 mm
Smallest bending radius, movable installation	min. 33.5 mm

Network cable - VS-PPC/ME-OE-94F-LI/5,0



1415351

<https://www.phoenixcontact.com/us/products/1415351>

Ambient conditions

Degree of protection	IP65
	IP67
Degree of protection	IP65/IP67
Ambient temperature (operation)	-25 °C ... 60 °C (cable, fixed installation)
	-10 °C ... 50 °C (Cable, flexible installation)

Standards and regulations

Standards/specifications	IEC PAS 61076-3-117
--------------------------	---------------------

Network cable - VS-PPC/ME-OE-94F-LI/5,0

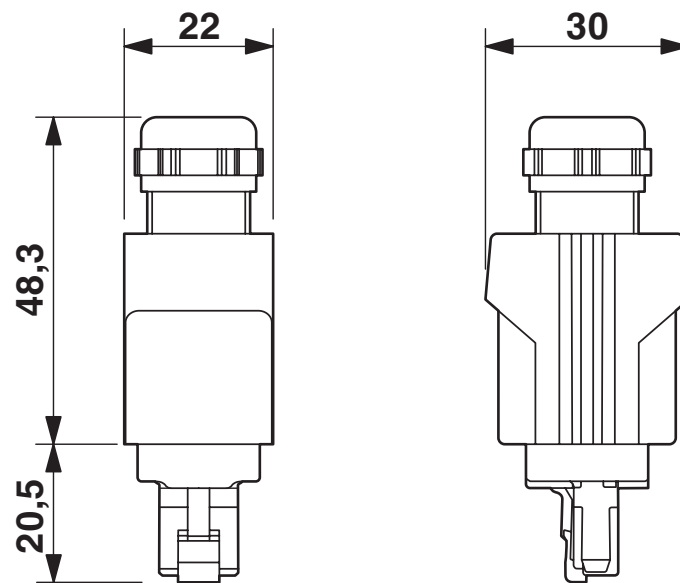
1415351

<https://www.phoenixcontact.com/us/products/1415351>



Drawings

Dimensional drawing



Push-pull RJ45 connector IP65/67

Network cable - VS-PPC/ME-OE-94F-LI/5,0



1415351

<https://www.phoenixcontact.com/us/products/1415351>

Approvals



EAC

Approval ID: 19060508

Network cable - VS-PPC/ME-OE-94F-LI/5,0



1415351

<https://www.phoenixcontact.com/us/products/1415351>

Classifications

ECLASS

ECLASS-9.0	27060308
ECLASS-10.0.1	27060308
ECLASS-11.0	27060308

ETIM

ETIM 8.0	EC002599
----------	----------

UNSPSC

UNSPSC 21.0	26121600
-------------	----------

Network cable - VS-PPC/ME-OE-94F-LI/5,0



1415351

<https://www.phoenixcontact.com/us/products/1415351>

Environmental Product Compliance

China RoHS	Environmentally Friendly Use Period = 50 years For information on hazardous substances, refer to the manufacturer's declaration available under "Downloads"
------------	--

Phoenix Contact 2022 © - all rights reserved
<https://www.phoenixcontact.com>

Phoenix Contact USA
586 Fulling Mill Road
Middletown, PA 17057, United States
(+717) 944-1300
info@phoenixcon.com