

Screw plug - A-INSP-PG21-65N-P-BK



1415214

<https://www.phoenixcontact.com/ca/products/1415214>

Please be informed that the data shown in this PDF document is generated from our Online Catalog. Please find the complete data in the user documentation. Our General Terms of Use for Downloads are valid.

Screw plug, material: PA, connecting thread: Pg21, color: jet black RAL 9005, with O-ring



Commercial Data

Item number	1415214
Packing unit	10 pc
Minimum order quantity	10 pc
Sales Key	B25
Product Key	BF7DZX
Catalog Page	Page 703 (C-2-2019)
GTIN	4055626038575
Weight per Piece (including packing)	4.81 g
Weight per Piece (excluding packing)	4.77 g
Customs tariff number	39269097
Country of origin	DE

Screw plug - A-INSP-PG21-65N-P-BK

1415214

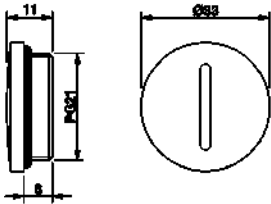
<https://www.phoenixcontact.com/ca/products/1415214>

Technical Data

Product properties

Product type	Plug for cable screw gland
--------------	----------------------------

Dimensions

Dimensional drawing	
Length	11 mm
Length of the connecting thread	8 mm
Diameter	33 mm
Connecting thread diameter	28.3 mm
Hexagon angular dimension	Diameter
Thread type connection side	Pg21

Material specifications

Color	jet black RAL 9005
Material	PA
Sealing material	EPDM (Flat gasket)

Environmental and real-life conditions

Ambient conditions

Degree of protection	IP65
Ambient temperature (operation)	-40 °C ... 100 °C

Screw plug - A-INSP-PG21-65N-P-BK

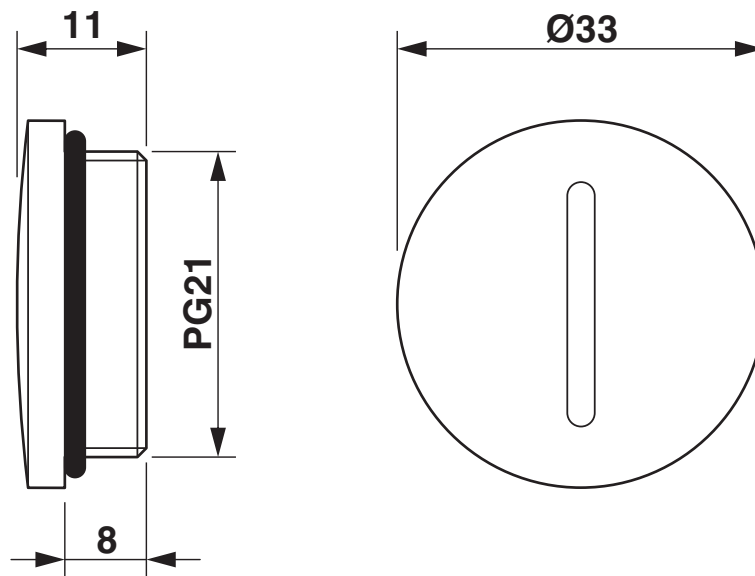
1415214

<https://www.phoenixcontact.com/ca/products/1415214>

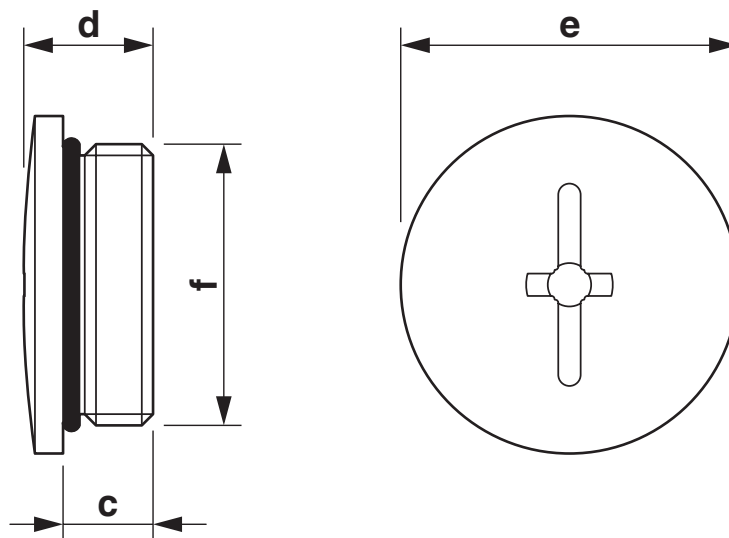


Drawings

Dimensional drawing



Dimensional drawing



Screw plug - A-INSP-PG21-65N-P-BK



1415214

<https://www.phoenixcontact.com/ca/products/1415214>

Classifications

ECLASS

ECLASS-9.0	23111190
ECLASS-10.0.1	23111190
ECLASS-11.0	23111190

ETIM

ETIM 8.0	EC000032
----------	----------

UNSPSC

UNSPSC 21.0	31261500
-------------	----------

Screw plug - A-INSP-PG21-65N-P-BK



1415214

<https://www.phoenixcontact.com/ca/products/1415214>

Environmental Product Compliance

China RoHS	Environmentally friendly use period: unlimited = EFUP-e
	No hazardous substances above threshold values

Screw plug - A-INSP-PG21-65N-P-BK

1415214

<https://www.phoenixcontact.com/ca/products/1415214>



Accessories

Counter nut

Counter nut - A-INL-PG21-P-BK - 1424563

<https://www.phoenixcontact.com/ca/products/1424563>

Counter nut, material: PA 6 GF 30, connecting thread: Pg21, color: black



Phoenix Contact 2022 © - all rights reserved
<https://www.phoenixcontact.com>

PHOENIX CONTACT Ltd
8240 Parkhill Drive
Milton, Ontario L9T 5V7
1-800-890-2820
cdinfo@phoenixcontact.ca