

## Cable gland - G-INESR-M20-S68N-NEPDS-S - 1415192

Please be informed that the data shown in this PDF Document is generated from our Online Catalog. Please find the complete data in the user's documentation. Our General Terms of Use for Downloads are valid (<http://phoenixcontact.com/download>)



Cable gland, cable gland material: Nickel-plated brass, external cable diameter 6 mm ... 13 mm, shielding: no, connecting thread: M20 x 1.5, color: silver, with external strain relief, with O-ring

### Your advantages

- Weatherproof sealing material
- Halogen-free

### Key Commercial Data

Packing unit	1 pc
Minimum order quantity	5 pc
GTIN	 4 055626 038209
GTIN	4055626038209
Weight per Piece (excluding packing)	72.000 g
Custom tariff number	74199990
Country of origin	Germany

### Technical data

#### Dimensions

Length	37 mm
Length without connecting thread	31 mm
Wrench size, union nut	24 mm
Wrench size, support	24 mm
Hexagon angular dimension	27 mm
Length of the connecting thread	6 mm
Feed-through hole diameter	20.1 mm ... 20.2 mm

# Cable gland - G-INESR-M20-S68N-NEPDS-S - 1415192

## Technical data

### Dimensions

External cable diameter	6 mm ... 13 mm
	7.5 mm ... 11.3 mm (for UL 514 B)
Clamping range of the strain relief clip	6.00 mm ... 13.00 mm

### Ambient conditions

Degree of protection (IP)	IP68 (5 bar / 0.5 h)
	IP69 (DIN EN 60529 / IEC 60529)
Ambient temperature (operation)	-40 °C ... 100 °C (static)

### General

Type	with external strain relief
No. of conductors	1
Cable gland material	Nickel-plated brass
Material, insert	PA
Cable seal material	EPDM
O-ring material	EPDM
Shielded	no
Thread type on connection side	M20 x 1.5
Torque	8 Nm (Union nut: EN 62444)
	8 Nm (Support: EN 62444)
	0.4 Nm (Screw for clip)
Color	silver
Impact category	6
Execution of the strain relief	B
Manufacturer	WISKA
Manufacturer Designation	EMSKVZ 20

### Standards and Regulations

Halogen-free	yes
--------------	-----

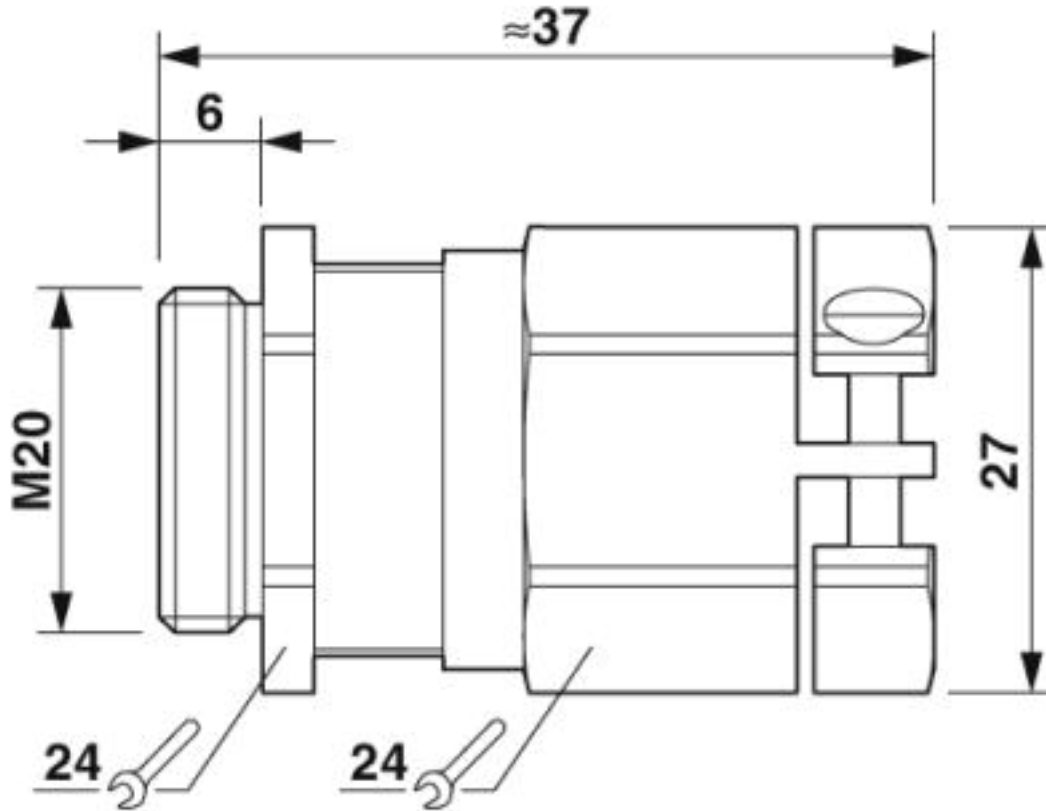
### Environmental Product Compliance

REACH SVHC	Lead 7439-92-1
China RoHS	Environmentally Friendly Use Period = 50 years
	For details about hazardous substances go to tab "Downloads", Category "Manufacturer's declaration"

## Drawings

# Cable gland - G-INESR-M20-S68N-NEPDS-S - 1415192

Dimensional drawing



## Classifications

eCl@ss

eCl@ss 4.0	27141200
eCl@ss 4.1	27141200
eCl@ss 5.0	27149100
eCl@ss 5.1	27149100
eCl@ss 6.0	27149100
eCl@ss 7.0	27149109
eCl@ss 8.0	27149109
eCl@ss 9.0	27144432

ETIM

ETIM 5.0	EC000441
ETIM 6.0	EC000441
ETIM 7.0	EC000441

# Cable gland - G-INESR-M20-S68N-NEPDS-S - 1415192

## Classifications

### UNSPSC

UNSPSC 13.2	39121311
UNSPSC 18.0	39121311
UNSPSC 19.0	39121311
UNSPSC 20.0	39121311
UNSPSC 21.0	39121311

## Approvals

### Approvals

#### Approvals

UL Recognized / cUL Recognized / GOST-R / cULus Recognized

#### Ex Approvals

### Approval details

UL Recognized		<a href="http://database.ul.com/cgi-bin/XYV/template/LISEXT/1FRAME/index.htm">http://database.ul.com/cgi-bin/XYV/template/LISEXT/1FRAME/index.htm</a>	E179850
---------------	--	---	---------

cUL Recognized		<a href="http://database.ul.com/cgi-bin/XYV/template/LISEXT/1FRAME/index.htm">http://database.ul.com/cgi-bin/XYV/template/LISEXT/1FRAME/index.htm</a>	E179850
----------------	--	---	---------

GOST-R			POCC DE.A*98.H12052
--------	--	--	------------------------

cULus Recognized			
------------------	--	--	--

## Accessories

### Accessories

Flat nut

## Cable gland - G-INESR-M20-S68N-NEPDS-S - 1415192

### Accessories

Counter nut - A-INL-M20-N-S - 1411242



Counter nut, material: Brass, nickel-plated, for threads M20 x 1.5, color: silver