

Cable gland - G-INTRO-M32-M68N-PEPDS-BK - 1415191

Please be informed that the data shown in this PDF Document is generated from our Online Catalog. Please find the complete data in the user's documentation. Our General Terms of Use for Downloads are valid (<http://phoenixcontact.com/download>)



Cable gland, cable gland material: PA, material pressure screw: PA, external cable diameter 13 mm ... 21 mm, shielding: no, connecting thread: M32 x 1.5, color: jet black, with external strain relief

Your advantages

- Glow-wire test: 750°C
- Weatherproof sealing material
- Halogen-free

Key Commercial Data

Packing unit	1 pc
Minimum order quantity	5 pc
GTIN	 4 055626 038193
GTIN	4055626038193
Weight per Piece (excluding packing)	48.000 g
Custom tariff number	39269097
Country of origin	Germany

Technical data

Dimensions

Length	57 mm
Length without connecting thread	45 mm
Wrench size, union nut	36 mm
Wrench size, support	36 mm
Hexagon angular dimension	40 mm
Length of the connecting thread	12 mm

Cable gland - G-INTRO-M32-M68N-PEPDS-BK - 1415191

Technical data

Dimensions

Feed-through hole diameter	32.1 mm ... 32.3 mm
External cable diameter	13 mm ... 21 mm
	14.6 mm ... 19.5 mm (for UL 514 B)
Clamping range of the strain relief clip	13.00 mm ... 21.00 mm

Ambient conditions

Degree of protection (IP)	IP68 (5 bar / 0.5 h)
	IP69 (DIN EN 60529 / IEC 60529)
Ambient temperature (operation)	-40 °C ... 100 °C (static)

General

Type	with external strain relief
No. of conductors	1
Cable gland material	PA
Material, pressure screw	PA
Sealing material	EPDM (Cable seal, halogen-free)
Glow wire ignition temperature GWIT according to EN 60695-2-13	750.00
Shielded	no
Thread type on connection side	M32 x 1.5
Torque	6 Nm (Union nut: EN 62444)
	15 Nm (Support: EN 62444)
	0.5 Nm (Screw for clip)
Color	jet black
Impact category	4
Execution of the strain relief	B
Manufacturer	WISKA
Manufacturer Designation	ESKVZ 32

Standards and Regulations

Halogen-free	yes
--------------	-----

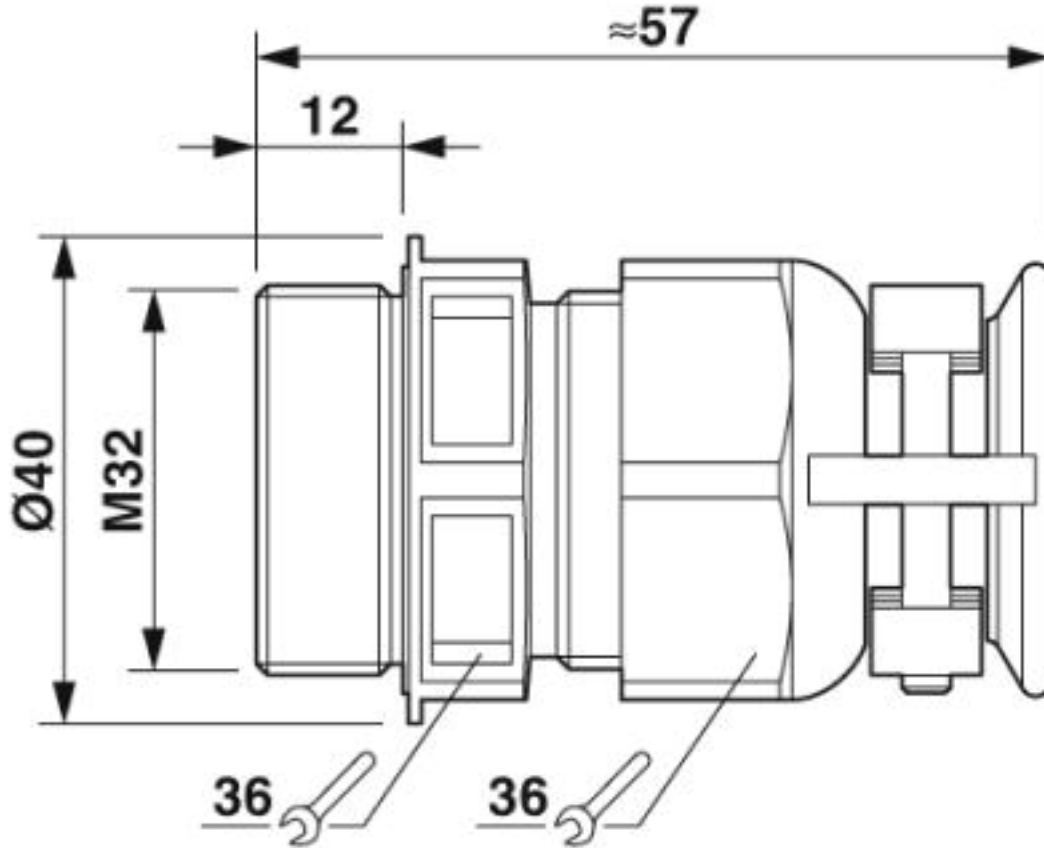
Environmental Product Compliance

China RoHS	Environmentally friendly use period: unlimited = EFUP-e
	No hazardous substances above threshold values

Drawings

Cable gland - G-INTRO-M32-M68N-PEPDS-BK - 1415191

Dimensional drawing



Classifications

eCl@ss

eCl@ss 4.0	27141200
eCl@ss 4.1	27141200
eCl@ss 5.0	27149100
eCl@ss 5.1	27149100
eCl@ss 6.0	27149100
eCl@ss 7.0	27149109
eCl@ss 8.0	27149109
eCl@ss 9.0	27144432

ETIM

ETIM 5.0	EC000441
ETIM 6.0	EC000441

Cable gland - G-INTRO-M32-M68N-PEPDS-BK - 1415191

Classifications

ETIM

ETIM 7.0	EC000441
----------	----------

UNSPSC

UNSPSC 13.2	39121311
-------------	----------

Approvals

Approvals

Approvals

UL Recognized / cUL Recognized / GOST-R / cULus Recognized

Ex Approvals

Approval details

UL Recognized		http://database.ul.com/cgi-bin/XYV/template/LISEXT/1FRAME/index.htm	E179850
---------------	--	---	---------

cUL Recognized		http://database.ul.com/cgi-bin/XYV/template/LISEXT/1FRAME/index.htm	E179850
----------------	--	---	---------

GOST-R			POCC DE.A*98.H12052
--------	--	--	------------------------

cULus Recognized			
------------------	--	--	--

Accessories

Accessories

Flat nut

Cable gland - G-INTRO-M32-M68N-PEPDS-BK - 1415191

Accessories

Counter nut - A-INL-M32-P-BK - 1411217



Counter nut, material: PA, for threads M32 x 1.5, color: jet black RAL 9005