

## Cable gland - G-ESIS-M25-M68L-PEPDS-BK - 1415109

Please be informed that the data shown in this PDF Document is generated from our Online Catalog. Please find the complete data in the user's documentation. Our General Terms of Use for Downloads are valid (<http://phoenixcontact.com/download>)



Cable gland, Application: Ex, External cable diameter 10 mm ... 17 mm, Shielding: No, Connecting thread: M25, Color: black

### Product Description

Cable gland, with flat gasket

### Why buy this product

- Glow-wire test: 750°C
- Weatherproof sealing material
- Halogen-free



### Key Commercial Data

|                                      |   |
|--------------------------------------|---|
| Packing unit                         | 1 STK   |
| Minimum order quantity               | 10 STK  |
| GTIN                                 | <br>4 055626 037714 |
| GTIN                                 | 4055626037714   |
| Weight per Piece (excluding packing) | 20.000 g  |
| Custom tariff number                 | 39269097  |
| Country of origin                    | Germany   |

### Technical data

#### Dimensions

|                        |        |
|------------------------|--------|
| Length                 | 43 mm  |
| Thread pitch           | 1.5 mm |
| Wrench size, union nut | 29 mm  |

## Cable gland - G-ESIS-M25-M68L-PEPDS-BK - 1415109

### Technical data

#### Dimensions

|                                 |                      |
|---------------------------------|----------------------|
| Wrench size, support            | 29 mm                |
| Hexagon angular dimension       | 33 mm                |
| Length of the connecting thread | 15 mm                |
| External cable diameter         | 10 mm ... 17 mm      |
| Cable types that can be used    | for unarmored cables |

#### Ambient conditions

|                                 |                           |
|---------------------------------|---------------------------|
| Degree of protection            | IP66                      |
|                                 | IP68 (5 bar / 0.5 h)      |
| Ambient temperature (operation) | -40 °C ... 75 °C (static) |

#### General

|                                |                                     |
|--------------------------------|-------------------------------------|
| Material                       | PA (Screw connection, halogen-free) |
| Material grommet GRP           | EPDM (Cable seal, halogen-free)     |
| Thread type on connection side | M25                                 |
| Torque                         | 3 Nm (Support)                      |
| Tightening torque, union nut   | 2.00 Nm                             |
| Color                          | black                               |
| Impact energy                  | 7.00 J (at -40 °C ... +75 °C)       |
| Manufacturer                   | WISKA                               |
| Manufacturer Designation       | ESKE/1-L-e 25                       |
| Suited for EX-applications     | yes                                 |

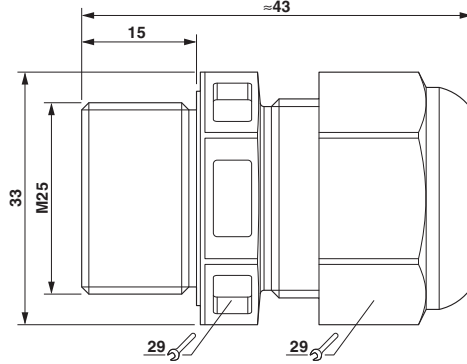
#### Standards and Regulations

|       |  |
|-------|--|
| ATEX  | II 2 G Ex e IIC Gb, II 2 D Ex tb IIIC Db |
| IECEX | Ex e IIC Gb, Ex tb IIIC Db               |

### Drawings

# Cable gland - G-ESIS-M25-M68L-PEPDS-BK - 1415109

Dimensional drawing



Dimensional drawing

## Classifications

eCl@ss

|            |          |
|------------|----------|
| eCl@ss 5.1 | 27149109 |
| eCl@ss 6.0 | 27149109 |
| eCl@ss 8.0 | 27149109 |
| eCl@ss 9.0 | 27144432 |

ETIM

|          |          |
|----------|----------|
| ETIM 5.0 | EC000441 |
| ETIM 6.0 | EC000441 |

UNSPSC

|             |          |
|-------------|----------|
| UNSPSC 13.2 | 39121311 |
|-------------|----------|

## Accessories

Accessories

Flat nut

Nut - A-INL-M25-P-BK - 1411216



Nut, PA, for threads M25, Color: jet black RAL 9005

