

Nut - QPD N 4PE1,5 5-10 BK - 1415101

Please be informed that the data shown in this PDF Document is generated from our Online Catalog. Please find the complete data in the user's documentation. Our General Terms of Use for Downloads are valid (<http://phoenixcontact.com/download>)



Nut, QUICKON connection, number of positions: 4+PE, 0.5 mm² ... 1.5 mm², 690 V, 17.5 A, black, cable diameter range: 6 mm ... 10 mm

Your advantages

- ✓ Innovative and time saving - QUICKON fast connection for time saving of up to 80 % for on-site connection
- ✓ Convenient: quick and easy assembly without special tools
- ✓ Robust throughout: housing with IP68/IP69K and IK07 protection for a wide range of applications

Key Commercial Data

Packing unit	1 pc
GTIN	 4 055626 037660
GTIN	4055626037660
Weight per Piece (excluding packing)	20.000 g
Custom tariff number	85366990
Country of origin	Poland

Technical data

General

Type	QPD 5x1,5
Color	black
Locking type	Screw locking
Connection method	QUICKON connection
	IDC connection
Number of positions	5
Tightening torque, union nut	8 Nm

Nut - QPD N 4PE1,5 5-10 BK - 1415101

Technical data

General

Number of connections	10
Conductor cross section flexible min.	0.5 mm ²
Conductor cross section flexible max.	1.5 mm ²
Conductor cross section solid min.	0.5 mm ²
Conductor cross section solid max.	1.5 mm ²
Conductor cross section AWG min.	20
Conductor cross section AWG max.	16

Cabel

Structure of individual litz in acc. with VDE 0295 / smallest wire diameter	VDE 0295 class 1 to 6/min. 0.15 mm
Wire insulation material	PVC/PE/TPE/rubber
Wire diameter including insulation	1.6 mm ... 3 mm
External cable diameter	6 mm ... 10 mm
Position marking	1, 2, 3, N, PE

Ambient conditions

Degree of protection	IP66
	IP68
	IP69K
Ambient temperature (operation)	-40 °C ... 100 °C
Ambient temperature (storage/transport)	-40 °C ... 80 °C
Temperature when conductor connected	-5 °C ... 50 °C

Electrical characteristics

Nominal current I _N	17.5 A
Rated current	17.5 A
Rated voltage (III/3)	690 V
Rated voltage (III/2)	1000 V
Rated voltage (II/2)	1000 V
Rated surge voltage (III/3)	8 kV
Rated surge voltage (III/2)	8 kV
Rated surge voltage (II/2)	8 kV

Mechanical characteristics

QUICKON connectability	max. 10
Category of shock impact	IK07

Material data

Contact carrier material	PA
Insulating material	PA

Nut - QPD N 4PE1,5 5-10 BK - 1415101

Technical data

Material data

Flammability rating according to UL 94	V0
Overvoltage category	III
Degree of pollution	3

Standards and Regulations

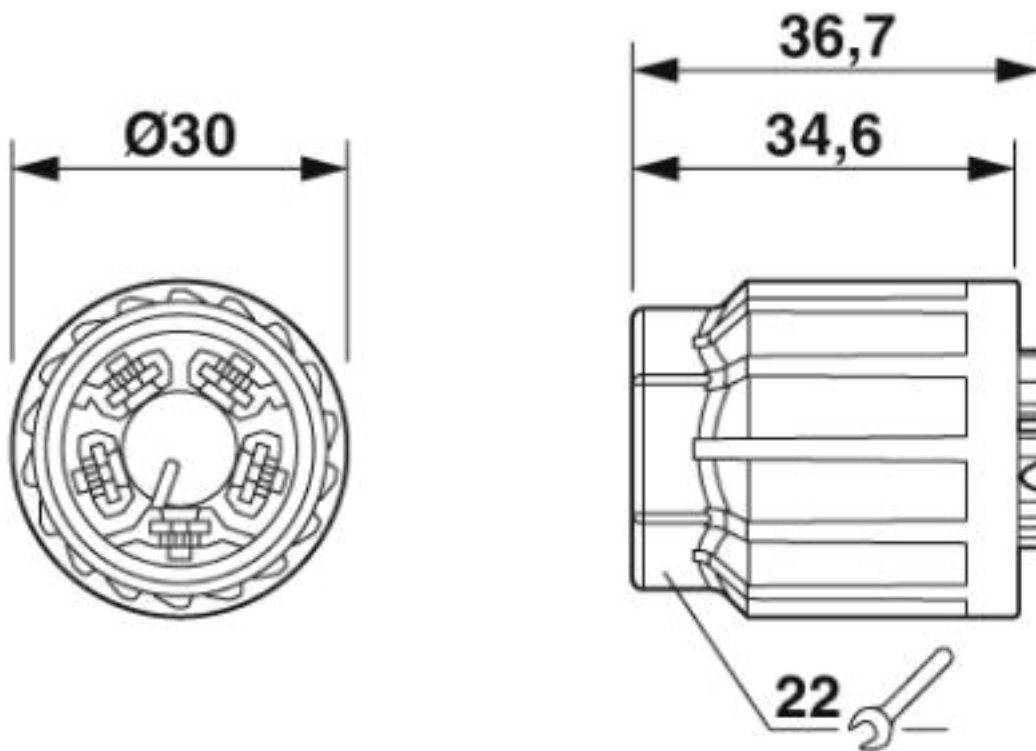
Flammability rating according to UL 94	V0
--	----

Environmental Product Compliance

China RoHS	Environmentally friendly use period: unlimited = EFUP-e
	No hazardous substances above threshold values

Drawings

Dimensional drawing



Dimensional drawing of the QPD nut 5x2,5

Nut - QPD N 4PE1,5 5-10 BK - 1415101

Classifications

eCl@ss

eCl@ss 10.0.1	27440691
eCl@ss 4.0	27140800
eCl@ss 4.1	27140800
eCl@ss 5.0	27143400
eCl@ss 5.1	27143400
eCl@ss 6.0	27143400
eCl@ss 7.0	27440605
eCl@ss 8.0	27440605
eCl@ss 9.0	27440691

ETIM

ETIM 5.0	EC002560
ETIM 6.0	EC002560
ETIM 7.0	EC002560

UNSPSC

UNSPSC 13.2	39121402
UNSPSC 18.0	39121421
UNSPSC 19.0	39121421
UNSPSC 20.0	39121421
UNSPSC 21.0	39121421

Approvals

Approvals

Approvals

DNV GL / IECCEB Scheme / VDE Zeichengenehmigung

Ex Approvals

Approval details

DNV GL		https://approvalfinder.dnvgl.com/	TAE00003J5
--------	--	---	------------

Nut - QPD N 4PE1,5 5-10 BK - 1415101

Approvals

IECEE CB Scheme		http://www.iecee.org/	DE1-61559
-----------------	--	---	-----------

VDE Zeichengenehmigung		http://www2.vde.com/de/Institut/Online-Service/VDE-gepruefteProdukte/Seiten/Online-Suche.aspx	40029149
Nominal voltage UN		690 V	
Nominal current IN		17.5 A	
mm ² /AWG/kcmil		0.5-1.5	

Accessories

Accessories

Coding element

Coding profile - CP-QPD 5X1,5 - 1414760



Coding profile red, for pushing into the QUICKON dome and connector, can be positioned in 90° steps.

Sealing plugs

Closing cap - SEALING PLUG 7X16 RD - 1400255



Closing cap, material: PA, color: red

Socket spanner

Nut - QPD N 4PE1,5 5-10 BK - 1415101

Accessories

Socket wrench - QSS 22 - 1670206



Allen wrench, for loosening and fastening the QUICKON union nut, WAF 22 mm
