

Power cable - SAC-5P-M12MSL/ 5,0-280 FE



1414891

<https://www.phoenixcontact.com/pc/products/1414891>

Please be informed that the data shown in this PDF document is generated from our Online Catalog. Please find the complete data in the user documentation. Our General Terms of Use for Downloads are valid.



Power cable, 5-position, PUR halogen-free, gray RAL 7001, Plug straight M12, coding: L, on free cable end, cable length: 5 m, for direct current up to 16 A/63 V

Your advantages

- Easy and safe: 100% electrically tested plug-in components
- Protection against mismatching, thanks to special L-coding
- Our standard: robust halogen-free PUR cable

Commercial Data

Item number	1414891
Packing unit	1 pc
Minimum order quantity	1 pc
Product Key	BF1CDP
Catalog Page	Page 294 (C-2-2019)
GTIN	4055626035215
Weight per Piece (including packing)	919.2 g
Weight per Piece (excluding packing)	919.2 g
Customs tariff number	85444290
Country of origin	PL

Power cable - SAC-5P-M12MSL/ 5,0-280 FE



1414891

<https://www.phoenixcontact.com/pc/products/1414891>

Technical Data

Product properties

Product type	Power cable
Number of positions	5
Application	Power supply
No. of cable outlets	1
Shielded	no
Coding	L - Power

Insulation characteristics

Overvoltage category	III
Degree of pollution	3

Material specifications

Color Handle area	black
Flammability rating according to UL 94	V0
Material of grip body	PP
Contact material	CuZn
Contact surface material	Ni/Au
Contact carrier material	PA
Material for screw connection	Zinc die-cast, nickel-plated

Electrical properties

Contact resistance	$\leq 5 \text{ m}\Omega$
Insulation resistance	$\geq 100 \text{ M}\Omega$
Nominal voltage U_N	63 V DC
Nominal current I_N	16 A
Protective circuit	unwired

Mechanical properties

Mechanical data

Insertion/withdrawal cycles	≥ 100
-----------------------------	------------

Connector

Connection 1

Head design	Plug
Head cable outlet	straight
Head thread type	M12
Coding	L

Connection 2

Head design	free cable end
-------------	----------------


Power cable - SAC-5P-M12MSL/ 5,0-280 FE



1414891

<https://www.phoenixcontact.com/pc/products/1414891>

Cable / line

Cable length	5 m
PUR halogen-free gray [280]	
Dimensional drawing	
Cable weight	185 kg/km
UL AWM Style	20233 / 10493 (80°C/300 V)
Number of positions	5
Shielded	no
Cable type	PUR halogen-free gray [280]
Conductor cross section	5x 2.5 mm ²
Wire diameter incl. insulation	2.85 mm ±0.1 mm
External cable diameter	9.65 mm ±0.25 mm
Outer sheath, material	PUR
External sheath, color	gray RAL 7001
Conductor material	Bare Cu litz wires
Material wire insulation	PP
Single wire, color	brown, white, blue, black, pink
Thickness, insulation	≥ 0.31 mm
Thickness, outer sheath	approx. 0.76 mm
Max. conductor resistance	≤ 8 Ω/km (at 20 °C)
Insulation resistance	≥ 1 GΩ*km (at 20 °C)
Nominal voltage, cable	≤ 300 V AC
Test voltage	≥ 3000 V AC (Spark test)
Minimum bending radius, fixed installation	5 x D
Minimum bending radius, flexible installation	10 x D
Max. bending cycles	5000000
Halogen-free	in accordance with DIN VDE 0472 part 815 in accordance with DIN EN 50267-2-1
Flame resistance	According to UL 758/1581 (Cable Flame) according to UL 758/1581 FT1 According to DIN EN 60332-1-2
Resistance to oil	according to DIN EN 60811-404, 168 h at 100 °C
Other resistance	Hydrolysis and microbe resistant as per VDE 0282 section 10 Low adhesion abrasion-resistant

Power cable - SAC-5P-M12MSL/ 5,0-280 FE



1414891

<https://www.phoenixcontact.com/pc/products/1414891>

	Resistant to salt water
Ambient temperature (operation)	-50 °C ... 80 °C (cable, fixed installation)
	-30 °C ... 80 °C (Cable, flexible installation)

Ambient conditions

Degree of protection	IP65
	IP67
Ambient temperature (operation)	-25 °C ... 85 °C (Plug / socket)

Standards and regulations

Standards/specifications	IEC 61076-2-111
--------------------------	-----------------

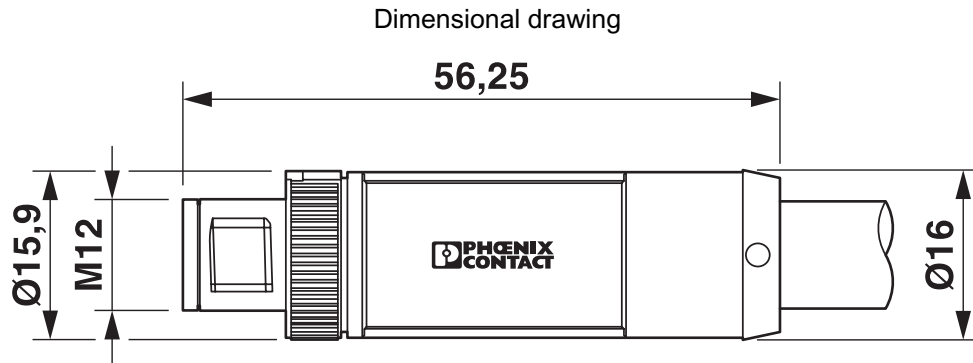
Power cable - SAC-5P-M12MSL/ 5,0-280 FE



1414891

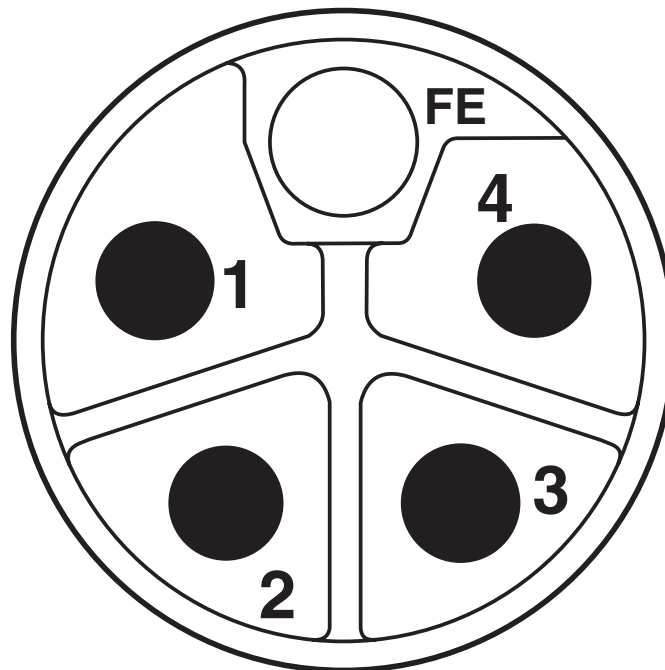
<https://www.phoenixcontact.com/pc/products/1414891>

Drawings



Plug, M12 x 1, straight, shielded

Schematic diagram



Pin assignment of M12 connector, 5-pos., L-coded, pin side view

Power cable - SAC-5P-M12MSL/ 5,0-280 FE



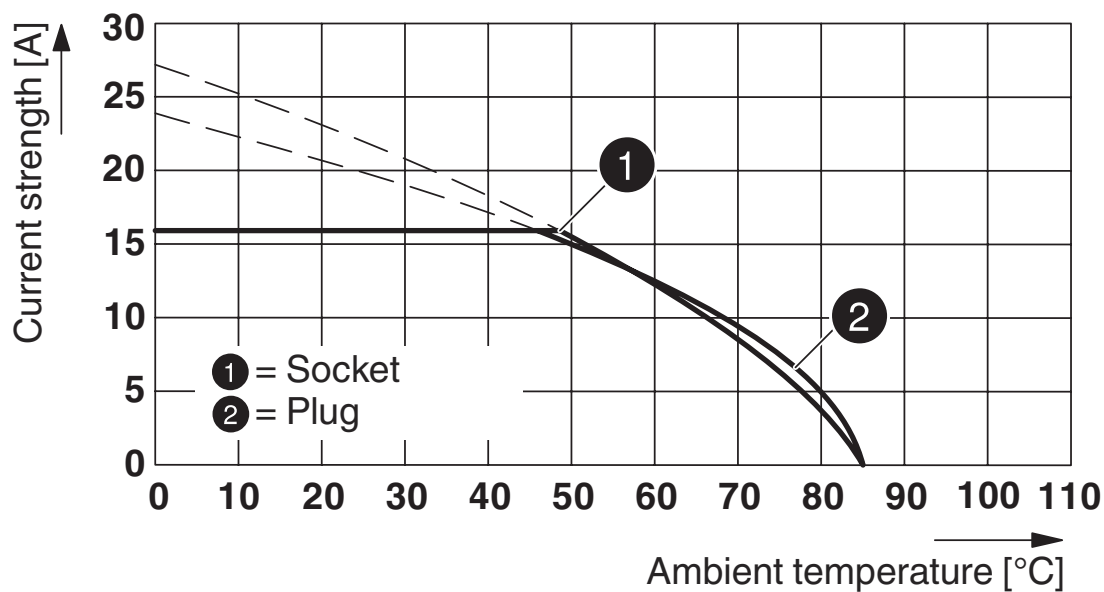
1414891

<https://www.phoenixcontact.com/pc/products/1414891>

Circuit diagram



Diagram



Base curve

Power cable - SAC-5P-M12MSL/ 5,0-280 FE



1414891

<https://www.phoenixcontact.com/pc/products/1414891>

Approvals



EAC

Approval ID: RU C-DE.BL08.B.00286



UL Listed

Approval ID: E468743



cUL Listed

Approval ID: E468743



EAC

Approval ID: RU D-DE.HB35.B.00387

cULus Listed

Power cable - SAC-5P-M12MSL/ 5,0-280 FE



1414891

<https://www.phoenixcontact.com/pc/products/1414891>

Classifications

ECLASS

ECLASS-9.0	27060311
ECLASS-10.0.1	27060311
ECLASS-11.0	27060311

ETIM

ETIM 8.0	EC001855
----------	----------

UNSPSC

UNSPSC 21.0	26121600
-------------	----------

Power cable - SAC-5P-M12MSL/ 5,0-280 FE



1414891

<https://www.phoenixcontact.com/pc/products/1414891>

Environmental Product Compliance

China RoHS	Environmentally friendly use period: unlimited = EFUP-e
	No hazardous substances above threshold values

Power cable - SAC-5P-M12MSL/ 5,0-280 FE



1414891

<https://www.phoenixcontact.com/pc/products/1414891>

Accessories

Tool

Tool - SAC BIT M12-D16 - 1200305

<https://www.phoenixcontact.com/pc/products/1200305>

Nut for assembling sensor/actuator cables with M12 connector and M12 connectors for assembly, knurl diameter: 16 mm, for 4 mm hexagonal drive



Sealing cap

Sealing cap - PROT-M12 FS - 1560251

<https://www.phoenixcontact.com/pc/products/1560251>

M12 sealing cap for unoccupied M12 plugs of the sensor/actuator cable, flush-type plugs and I/O devices in the field



Phoenix Contact 2023 © - all rights reserved

<https://www.phoenixcontact.com>

PHOENIX CONTACT GmbH & Co. KG

Flachsmarktstraße 8

D-32825 Blomberg

+49 (0) 5235-3 00

info@phoenixcontact.com