

Power cable - SAC-5P-M12MSK/ 5,0-PVC PE



1414877

<https://www.phoenixcontact.com/pc/products/1414877>

Please be informed that the data shown in this PDF document is generated from our Online Catalog. Please find the complete data in the user documentation. Our General Terms of Use for Downloads are valid.



Power cable, 5-position, PVC, black-gray RAL 7021, Plug straight M12, coding: K, on free cable end, cable length: 5 m, for AC current up to 16 A/690 V

Your advantages

- Easy and safe: 100% electrically tested plug-in components
- Protection against mismatching, thanks to special K-coding

Commercial Data

| | |
|--------------------------------------|---------------------|
| Item number | 1414877 |
| Packing unit | 1 pc |
| Minimum order quantity | 1 pc |
| Product Key | BF1CDQ |
| Catalog Page | Page 293 (C-2-2019) |
| GTIN | 4055626035079 |
| Weight per Piece (including packing) | 1,094.75 g |
| Weight per Piece (excluding packing) | 1,094.75 g |
| Customs tariff number | 85444290 |
| Country of origin | PL |

Power cable - SAC-5P-M12MSK/ 5,0-PVC PE



1414877

<https://www.phoenixcontact.com/pc/products/1414877>

Technical Data

Product properties

| | |
|----------------------|--------------|
| Product type | Power cable |
| Number of positions | 5 |
| Application | Power supply |
| No. of cable outlets | 1 |
| Shielded | no |
| Coding | K - Power |

Insulation characteristics

| | |
|----------------------|-----|
| Overvoltage category | III |
| Degree of pollution | 3 |

Material specifications

| | |
|--|------------------------------|
| Color Handle area | black |
| Flammability rating according to UL 94 | V0 |
| Material of grip body | PP |
| Contact material | CuZn |
| Contact surface material | Ni/Au |
| Contact carrier material | PA |
| Material for screw connection | Zinc die-cast, nickel-plated |

Electrical properties

| | |
|-----------------------|----------------------------|
| Contact resistance | $\leq 5 \text{ m}\Omega$ |
| Insulation resistance | $\geq 100 \text{ M}\Omega$ |
| Nominal voltage U_N | 690 V AC |
| Nominal current I_N | 16 A |
| Protective circuit | unwired |

Mechanical properties

Mechanical data

| | |
|-----------------------------|------------|
| Insertion/withdrawal cycles | ≥ 100 |
|-----------------------------|------------|

Connector

Connection 1

| | |
|-------------------|----------|
| Head design | Plug |
| Head cable outlet | straight |
| Head thread type | M12 |
| Coding | K |

Connection 2

| | |
|-------------|----------------|
| Head design | free cable end |
|-------------|----------------|

Power cable - SAC-5P-M12MSK/ 5,0-PVC PE




1414877

<https://www.phoenixcontact.com/pc/products/1414877>

Cable / line

| | |
|--------------|-----|
| Cable length | 5 m |
|--------------|-----|

PVC black [PVC]

| | |
|---|---|
| Dimensional drawing |  |
| Cable weight | 220 kg/km |
| UL AWM Style | 2570 / 10914 (80°C/1000 V) |
| Number of positions | 5 |
| Shielded | no |
| Cable type | PVC black [PVC] |
| Conductor cross section | 5x 2.5 mm ² |
| Wire diameter incl. insulation | 3 mm ±0.1 mm |
| External cable diameter | 10.75 mm ±0.3 mm |
| Outer sheath, material | PVC |
| External sheath, color | black-gray RAL 7021 |
| Conductor material | Bare Cu litz wires |
| Material wire insulation | PVC |
| Single wire, color | Black 1, black 2, black 3, black 4, green/yellow |
| Thickness, insulation | ≥ 0.36 mm |
| Thickness, outer sheath | approx. 0.76 mm |
| Max. conductor resistance | ≤ 8 Ω/km (at 20 °C) |
| Insulation resistance | ≥ 100 MΩ*km (at 20 °C) |
| Nominal voltage, cable | ≤ 1000 V AC |
| Test voltage | ≥ 10000 V AC (Spark test) |
| Minimum bending radius, fixed installation | 5 x D |
| Minimum bending radius, flexible installation | 10 x D |
| Max. bending cycles | 2000000 |
| Flame resistance | According to UL 758/1581 (Cable Flame) according to UL 758/1581 FT1 According to DIN EN 60332-1-2 |
| Resistance to oil | according to DIN EN 60811-404, 168 h at 60 °C |
| Ambient temperature (operation) | -40 °C ... 80 °C (cable, fixed installation) -20 °C ... 80 °C (Cable, flexible installation) |

Ambient conditions

| | |
|----------------------|------|
| Degree of protection | IP65 |
|----------------------|------|

Power cable - SAC-5P-M12MSK/ 5,0-PVC PE



1414877

<https://www.phoenixcontact.com/pc/products/1414877>

| | |
|---------------------------------|--|
| | IP67 (without preloading, as additional test in accordance with IEC 60529) |
| Ambient temperature (operation) | -25 °C ... 85 °C (Plug / socket) |

Standards and regulations

| | |
|--------------------------|-----------------|
| Standards/specifications | IEC 61076-2-111 |
|--------------------------|-----------------|

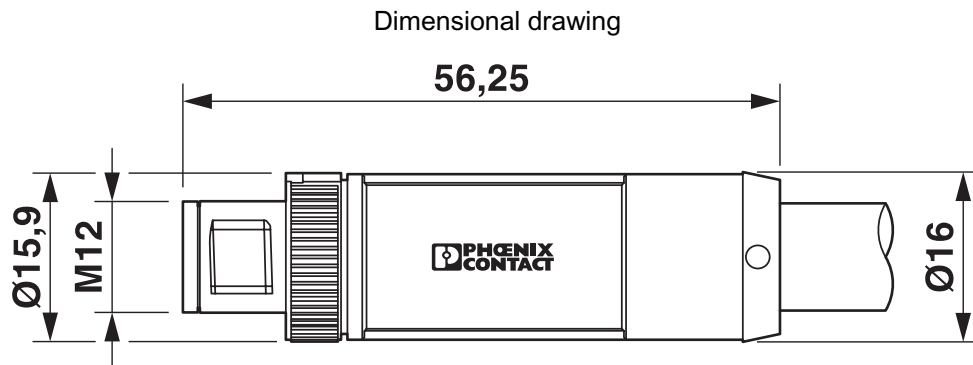
Power cable - SAC-5P-M12MSK/ 5,0-PVC PE



1414877

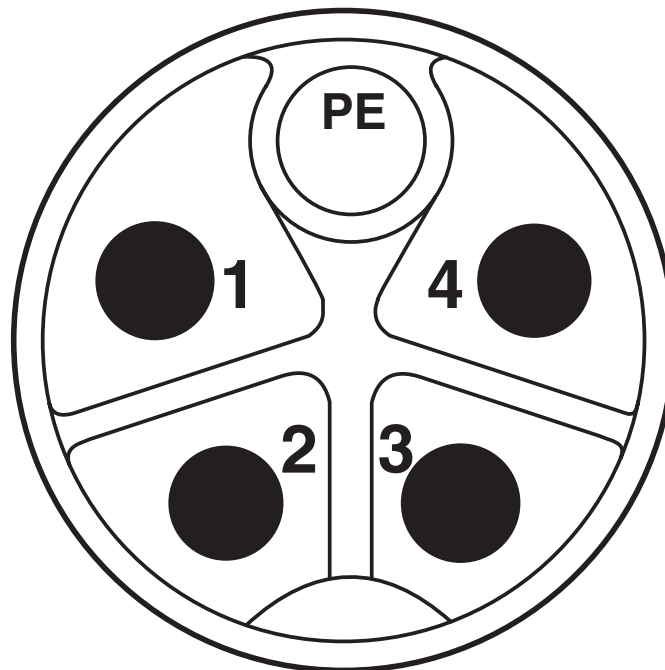
<https://www.phoenixcontact.com/pc/products/1414877>

Drawings



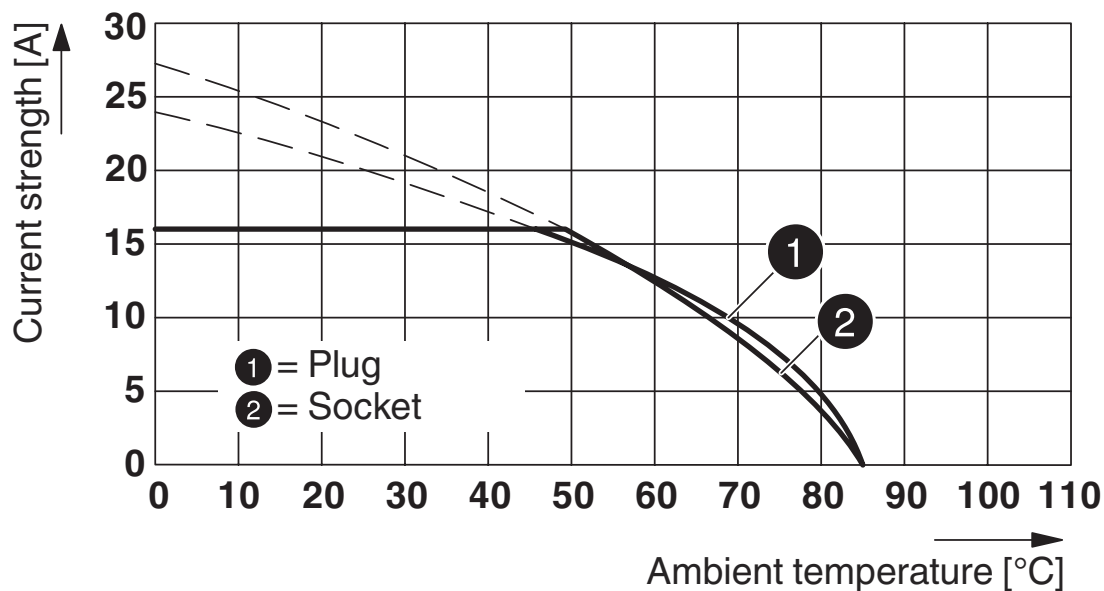
Plug, M12 x 1, straight, shielded

Schematic diagram



Connector pin assignment of M12 plug, 5-pos., K-coded, pin side view

Diagram



Circuit diagram



Power cable - SAC-5P-M12MSK/ 5,0-PVC PE



1414877

<https://www.phoenixcontact.com/pc/products/1414877>

Approvals



EAC

Approval ID: RU C-DE.BL08.B.00286



UL Listed

Approval ID: E468743

| | Nominal Voltage U_N | Nominal Current I_N | Cross Section AWG | Cross Section mm^2 |
|--|-----------------------|-----------------------|-------------------|-----------------------------|
| | 600 V | 16 A | - | - 14 |



cUL Listed

Approval ID: E468743

| | Nominal Voltage U_N | Nominal Current I_N | Cross Section AWG | Cross Section mm^2 |
|--|-----------------------|-----------------------|-------------------|-----------------------------|
| | 600 V | 16 A | - 14 | - |



EAC

Approval ID: RU D-DE.HB35.B.00387

cULus Listed

Power cable - SAC-5P-M12MSK/ 5,0-PVC PE



1414877

<https://www.phoenixcontact.com/pc/products/1414877>

Classifications

ECLASS

| | |
|---------------|----------|
| ECLASS-9.0 | 27060311 |
| ECLASS-10.0.1 | 27060311 |
| ECLASS-11.0 | 27060311 |

ETIM

| | |
|----------|----------|
| ETIM 8.0 | EC001855 |
|----------|----------|

UNSPSC

| | |
|-------------|----------|
| UNSPSC 21.0 | 26121600 |
|-------------|----------|

Power cable - SAC-5P-M12MSK/ 5,0-PVC PE



1414877

<https://www.phoenixcontact.com/pc/products/1414877>

Environmental Product Compliance

| | |
|------------|---|
| China RoHS | Environmentally friendly use period: unlimited = EFUP-e |
| | No hazardous substances above threshold values |

Power cable - SAC-5P-M12MSK/ 5,0-PVC PE



1414877

<https://www.phoenixcontact.com/pc/products/1414877>

Accessories

Tool

Tool - SAC BIT M12-D16 - 1200305

<https://www.phoenixcontact.com/pc/products/1200305>

Nut for assembling sensor/actuator cables with M12 connector and M12 connectors for assembly, knurl diameter: 16 mm, for 4 mm hexagonal drive



Sealing cap

Sealing cap - PROT-M12 FS - 1560251

<https://www.phoenixcontact.com/pc/products/1560251>

M12 sealing cap for unoccupied M12 plugs of the sensor/actuator cable, flush-type plugs and I/O devices in the field



Phoenix Contact 2022 © - all rights reserved

<https://www.phoenixcontact.com>

PHOENIX CONTACT GmbH & Co. KG

Flachsmarktstraße 8

D-32825 Blomberg

+49 (0) 5235-3 00

info@phoenixcontact.com