

## Housing - HC-STA-B16-HLFS-1STM32-EL-AL - 1412726

Please be informed that the data shown in this PDF Document is generated from our Online Catalog. Please find the complete data in the user's documentation. Our General Terms of Use for Downloads are valid (<http://phoenixcontact.com/download>)




Sleeve housing B16, for single locking latch, material: Die-cast aluminum, salt water resistant, cable outlets: 1, lateral, height: 60 mm, cable gland: none, support sleeve: no, 1x M32, Standard

### Your advantages

- good shielding in the event of electromagnetic interference



### Key Commercial Data

|                                      |   |
|--------------------------------------|---|
| Packing unit                         | 1 pc  |
| GTIN                                 | <br>4 055626 060002 |
| GTIN                                 | 4055626060002   |
| Weight per Piece (excluding packing) | 220.000 g   |
| Custom tariff number                 | 85389099  |
| Country of origin                    | Poland  |

### Technical data

#### Dimensions

|        |         |
|--------|---------|
| Height | 60 mm   |
| Width  | 44 mm   |
| Length | 93.5 mm |

#### Ambient conditions

|                             |            |
|-----------------------------|------------|
| Degree of protection (IP)   | IP66       |
|                             | IP67       |
| Degree of protection (NEMA) | 4 (UL 50e) |

# Housing - HC-STA-B16-HLFS-1STM32-EL-AL - 1412726

## Technical data

### Ambient conditions

|                                 |                   |
|---------------------------------|-------------------|
|                                 | 4X (UL 50e)       |
|                                 | 12 (UL 50e)       |
| Ambient temperature (operation) | -40 °C ... 125 °C |

### General

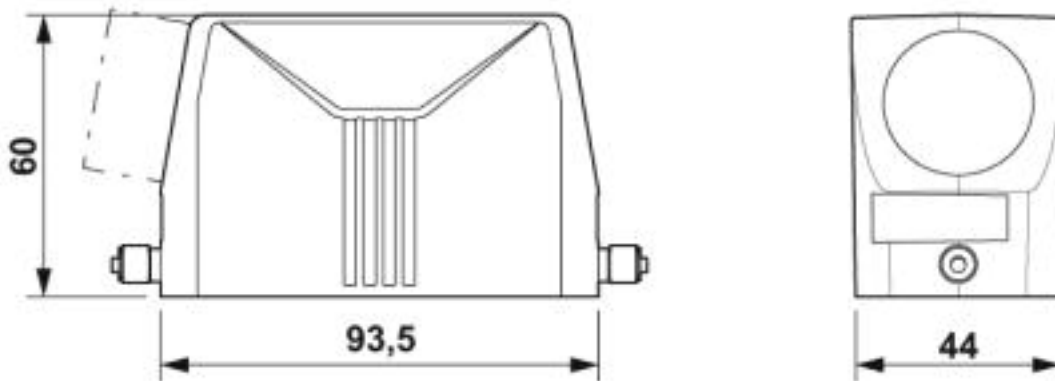
|                              |   |
|------------------------------|---|
| Note                         | For contact inserts HC-B16, BB32, D40, DD72, HS6, HV6, M, K |
| Size                         | B16   |
| Housing type                 | Sleeve housing  |
| Color                        | gray aluminum   |
| Locking type                 | for single locking latch                                    |
| No. of cable outlets         | 1   |
| Cable outlet                 | lateral   |
| Screw connection             | none  |
| Type of the screw connection | 1x M32  |
| Housing material             | Die-cast aluminum, salt water resistant                     |
| Housing surface material     | uncoated  |

### Environmental Product Compliance

|            |   |
|------------|---|
| China RoHS | Environmentally friendly use period: unlimited = EFUP-e |
|            | No hazardous substances above threshold values          |

## Drawings

Dimensional drawing



Dimensional drawing

# Housing - HC-STA-B16-HLFS-1STM32-EL-AL - 1412726

## Classifications

### eCl@ss

|               |          |
|---------------|----------|
| eCl@ss 10.0.1 | 27440202 |
| eCl@ss 5.1    | 27261200 |
| eCl@ss 6.0    | 27261200 |
| eCl@ss 7.0    | 27440202 |
| eCl@ss 8.0    | 27440202 |
| eCl@ss 9.0    | 27440202 |

### ETIM

|          |          |
|----------|----------|
| ETIM 5.0 | EC000437 |
| ETIM 6.0 | EC000437 |
| ETIM 7.0 | EC000437 |

### UNSPSC

|             |          |
|-------------|----------|
| UNSPSC 13.2 | 31261501 |
|-------------|----------|

## Approvals

### Approvals

#### Approvals


UL Recognized / cUL Recognized / EAC / DNV GL / cULus Recognized

#### Ex Approvals

### Approval details

|               |   |   |         |
|---------------|---|---|---------|
| UL Recognized |  | <a href="http://database.ul.com/cgi-bin/XYV/template/LISEXT/1FRAME/index.htm">http://database.ul.com/cgi-bin/XYV/template/LISEXT/1FRAME/index.htm</a> | E255026 |
|---------------|---|---|---------|

|                |   |   |         |
|----------------|---|---|---------|
| cUL Recognized |  | <a href="http://database.ul.com/cgi-bin/XYV/template/LISEXT/1FRAME/index.htm">http://database.ul.com/cgi-bin/XYV/template/LISEXT/1FRAME/index.htm</a> | E255026 |
|----------------|---|---|---------|

|     |   |                          |
|-----|---|--------------------------|
| EAC |  | RU C-<br>DE.AI30.B.01102 |
|-----|---|--------------------------|

## Housing - HC-STA-B16-HLFS-1STM32-EL-AL - 1412726

### Approvals

|        |   |   |            |
|--------|---|---|------------|
| DNV GL |  | <a href="https://approvalfinder.dnvgl.com/">https://approvalfinder.dnvgl.com/</a> | TAE000037S |
|--------|---|---|------------|

|                  |   |
|------------------|---|
| cULus Recognized |  |
|------------------|---|

### Accessories

#### Accessories

##### Full screw connection

Cable gland - G-INS-M32-M68N-NNES-S - 1411166



Cable gland, cable gland material: Nickel-plated brass, external cable diameter 15 mm ... 21 mm, shielding: no, connecting thread: M32 x 1.5, color: silver, with O-ring

Cable gland - G-INSEC-M32-M68N-NCRS-S - 1411191



Cable gland, cable gland material: Nickel-plated brass, external cable diameter 14 mm ... 21 mm, shielding: yes, connecting thread: M32 x 1.5, color: silver, with O-ring

#### Labeled device marker

Plastic label - US-EMLP (20X9) CUS - 0830085



Plastic label, can be ordered: By card, white, labeled according to customer specifications, mounting type: adhesive, lettering field size: 20 x 9 mm, Number of individual labels: 75

#### Protective cover

## Housing - HC-STA-B16-HLFS-1STM32-EL-AL - 1412726

### Accessories

Protective covers - HC-B16-HCLWS-PLR-BK - 1414636



Protective cover B16, with single locking latch, protective cover material: PA, height: 21.6 mm, seal: yes, diameter of retaining cord eyelet: 30 mm