

Housing - HC-STA-B06-HLFS-1TTP13-EL-AL



1412576

<https://www.phoenixcontact.com/gb/products/1412576>

Please be informed that the data shown in this PDF document is generated from our Online Catalog. Please find the complete data in the user documentation. Our General Terms of Use for Downloads are valid.



Sleeve housing B6, for single locking latch, material: Die-cast aluminum, salt water resistant, cable outlets: 1, straight, 1x Pg13,5, height: 52 mm, cable gland: none, Standard

Your advantages

- good shielding in the event of electromagnetic interference

1412576

<https://www.phoenixcontact.com/gb/products/1412576>

Commercial Data

Item number	1412576
Packing unit	1 pc
Minimum order quantity	1 pc
Sales Key	BF7APB
Product Key	BF7APB
Catalog Page	Page 600 (C-2-2019)
GTIN	4055626059167
Weight per Piece (including packing)	114.9 g
Weight per Piece (excluding packing)	114 g
Customs tariff number	85389099
Country of origin	PL

1412576

<https://www.phoenixcontact.com/gb/products/1412576>

Technical Data


Notes

General	For contact inserts HC-B6, BB10, DD24, M
---------	--

Product properties

Type	B6
Product type	Housing with locking latch
Application	Standard
No. of cable outlets	1
Type of the screw connection	1x Pg13,5
Housing type	Sleeve housing
Locking type	for single locking latch
Cable outlet	straight
Pg screw connection	none

Dimensions

Dimensional drawing	
Width	44 mm
Height	52 mm
Length	60 mm

Material specifications

Color	gray aluminum
Housing surface material	uncoated
Impact strength	IK08
Housing material	Die-cast aluminum, salt water resistant

Ambient conditions

Degree of protection	IP66
	IP67
Degree of protection	4 (UL 50e)
	4X (UL 50e)
	12 (UL 50e)
Impact strength	IK08
Ambient temperature (operation)	-40 °C ... 125 °C

Mechanical properties

Mechanical data

Housing - HC-STA-B06-HLFS-1TTP13-EL-AL



1412576

<https://www.phoenixcontact.com/gb/products/1412576>

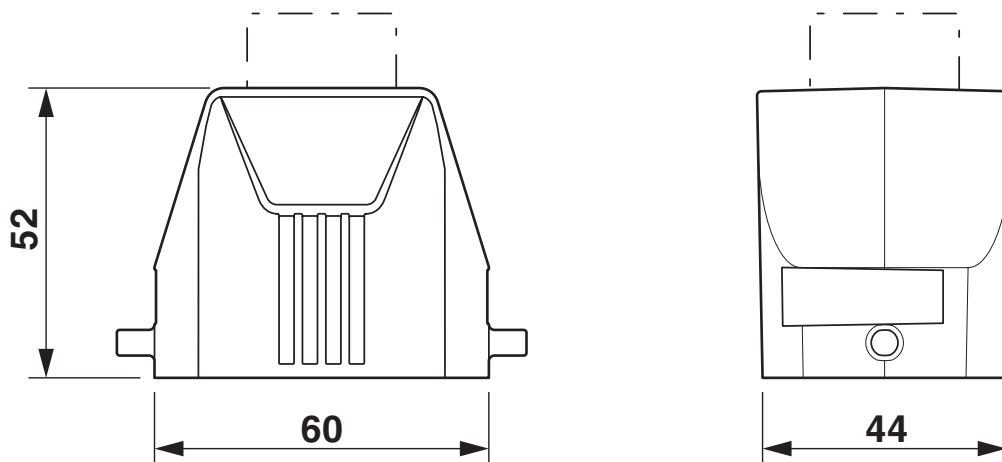
Type of the screw connection	1x Pg13,5
Locking type	Pin

1412576

<https://www.phoenixcontact.com/gb/products/1412576>

Drawings

Dimensional drawing



Dimensional drawing

1412576

<https://www.phoenixcontact.com/gb/products/1412576>

Approvals

DNV

Approval ID: TAE000037S



cUL Recognized

Approval ID: E255026



UL Recognized

Approval ID: E255026



EAC

Approval ID: RU C-DE.AI30.B.01102



EAC

Approval ID: RU C-DE.BL08.B.00511

cULus Recognized

1412576

<https://www.phoenixcontact.com/gb/products/1412576>

Classifications

ECLASS

ECLASS-9.0	27440202
ECLASS-10.0.1	27440202
ECLASS-11.0	27440202

ETIM

ETIM 8.0	EC000437
----------	----------

UNSPSC

UNSPSC 21.0	31261500
-------------	----------

1412576

<https://www.phoenixcontact.com/gb/products/1412576>

Environmental Product Compliance

China RoHS	Environmentally Friendly Use Period = 50 years For information on hazardous substances, refer to the manufacturer's declaration available under "Downloads"
------------	--

1412576

<https://www.phoenixcontact.com/gb/products/1412576>

Accessories

Cable gland

Cable gland - G-INS-PG13,5-S68N-NNES-S - 1411173

<https://www.phoenixcontact.com/gb/products/1411173>



Cable gland, cable gland material: Nickel-plated brass, external cable diameter 6 mm ... 12 mm, shielding: no, connecting thread: Pg13.5, color: silver, with O-ring

Cable gland

Cable gland - G-INSEC-PG13,5-S68N-NNES-S - 1411198

<https://www.phoenixcontact.com/gb/products/1411198>



Cable gland, cable gland material: Nickel-plated brass, external cable diameter 6 mm ... 12 mm, shielding: yes, connecting thread: Pg13.5, color: silver, with O-ring

Housing - HC-STA-B06-HLFS-1TTP13-EL-AL



1412576

<https://www.phoenixcontact.com/gb/products/1412576>

Plastic label

Plastic label - US-EMLP (20X9) CUS - 0830085

<https://www.phoenixcontact.com/gb/products/0830085>

Plastic label, can be ordered: by card, white, labeled according to customer specifications, mounting type: adhesive, lettering field size: 20 x 9 mm, Number of individual labels: 75



Protective cover

Protective cover - HC-B06-HCLWS-PLR-BK - 1414634

<https://www.phoenixcontact.com/gb/products/1414634>

Protective cover B6, with single locking latch, protective cover material: PA, height: 21.6 mm, seal: yes, diameter of retaining cord eyelet: 30 mm



Phoenix Contact 2022 © - all rights reserved

<https://www.phoenixcontact.com>

PHOENIX CONTACT Ltd

Halesfield 13, Telford

Shropshire, TF7 4PG

01952 681700

info@phoenixcontact.co.uk