

Housing - HC-EVO-B10-HHFS-EL-AL - 1411453

Please be informed that the data shown in this PDF Document is generated from our Online Catalog. Please find the complete data in the user's documentation. Our General Terms of Use for Downloads are valid (<http://phoenixcontact.com/download>)




HEAVYCON EVO sleeve housing, EMC version, without powder coating, with bayonet flange for EVO screw connection, B10, for single locking latch, height: 80 mm, without EVO screw connection.

Your advantages

- Flexible cable outlet direction, lateral or straight



Key Commercial Data

Packing unit	1 pc
GTIN	 4 046356 932608
GTIN	4046356932608
Weight per Piece (excluding packing)	183.000 g
Custom tariff number	85389099
Country of origin	Germany

Technical data

Dimensions

Height	80 mm
Width	44 mm
Length	73 mm

Ambient conditions

Degree of protection (IP)	IP66
	IP67
Degree of protection (NEMA)	4 (UL 50e)
	4X (UL 50e)

Housing - HC-EVO-B10-HHFS-EL-AL - 1411453

Technical data

Ambient conditions

	12 (UL 50e)
Ambient temperature (operation)	-40 °C ... 125 °C

General

Note	For contact inserts HC-B10, BB18, DD42, M, K8/24
Size	B10
Housing type	Sleeve housing
Color	gray aluminum
Locking type	for single locking latch
No. of cable outlets	1
Cable outlet	straight
	lateral
Screw connection	none
Housing material	Die-cast aluminum, salt water resistant
Housing surface material	uncoated
Connection	The sleeve base housing must be supplemented with the EVO screw connection. The EVO screw connection is available in 4 sizes. It enables the creation of a straight or a lateral cable outlet. The EVO screw connection is assembled by hand or using a pipe wrench.

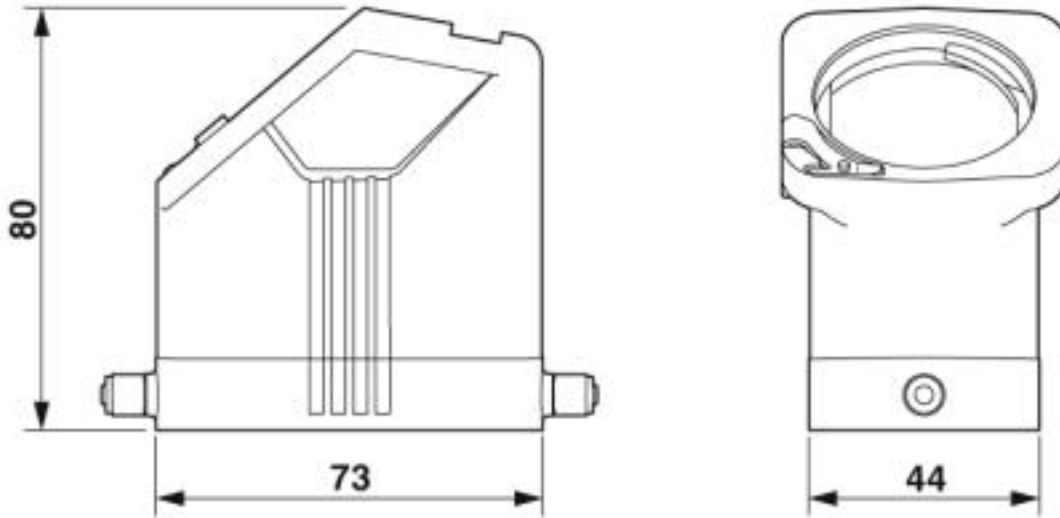
Environmental Product Compliance

China RoHS	Environmentally friendly use period: unlimited = EFUP-e
	No hazardous substances above threshold values

Drawings

Housing - HC-EVO-B10-HHFS-EL-AL - 1411453

Dimensional drawing



Dimensional drawing

Classifications

eCl@ss

eCl@ss 10.0.1	27440202
eCl@ss 5.1	27261200
eCl@ss 6.0	27261200
eCl@ss 7.0	27440202
eCl@ss 8.0	27440202
eCl@ss 9.0	27440202

ETIM

ETIM 4.0	EC000437
ETIM 5.0	EC000437
ETIM 6.0	EC000437
ETIM 7.0	EC000437

UNSPSC

UNSPSC 13.2	31261501
-------------	----------

Approvals

Approvals

Housing - HC-EVO-B10-HHFS-EL-AL - 1411453

Approvals

Approvals

UL Recognized / cUL Recognized / EAC / DNV GL / cULus Recognized

Ex Approvals

Approval details

UL Recognized		http://database.ul.com/cgi-bin/XYV/template/LISEXT/1FRAME/index.htm	E255026
---------------	--	---	---------

cUL Recognized		http://database.ul.com/cgi-bin/XYV/template/LISEXT/1FRAME/index.htm	E255026
----------------	--	---	---------

EAC			RU C- DE.AI30.B.01102
-----	--	--	--------------------------

DNV GL		https://approvalfinder.dnvgl.com/	TAE000037S
--------	--	---	------------

cULus Recognized			
------------------	--	--	--

Accessories

Accessories

Cable gland with bayonet locking

Cable gland - HC-B-G-M20-EC-AL - 1411439



EVO EMC cable gland with bayonet locking, B series, size M20, cable diameter: 9 ... 13 mm

Housing - HC-EVO-B10-HHFS-EL-AL - 1411453

Accessories

Cable gland - HC-B-G-M25-EC-AL - 1411446



EVO EMC cable gland with bayonet locking, B series, size M25, cable diameter: 11 - 16 mm

Cable gland - HC-B-G-M32-EC-AL - 1411440



EVO EMC cable gland with bayonet locking, B series, size M32, cable diameter: 14 - 21 mm

Cable gland - HC-B-G-M20-ER-AL - 1411442



EVO metal cable gland with bayonet locking, B series, size M20, cable diameter: 7 - 13 mm

Cable gland - HC-B-G-M25-ER-AL - 1411443



EVO metal cable gland with bayonet locking, B series, size M25, cable diameter: 11 - 16 mm

Cable gland - HC-B-G-M32-ER-AL - 1411444



EVO metal cable gland with bayonet locking, B series, size M32, cable diameter: 14 - 21 mm

Housing - HC-EVO-B10-HHFS-EL-AL - 1411453

Accessories

Cable gland - HC-B-G-M40-ER-AL - 1411445



EVO metal cable gland with bayonet locking, B series, size M40, cable diameter: 19 - 27 mm

Cable gland - HC-B-G-M40-EC-AL - 1411441



EVO EMC cable gland with bayonet locking, B series, size M40, cable diameter: 19 - 27 mm

Device marking

Plastic label - US-EMLP-HA (20X9) - 0830989



Plastic label, Card, white, unlabeled, can be labeled with: BLUEMARK ID COLOR, BLUEMARK ID, THERMOMARK PRIME, THERMOMARK CARD 2.0, THERMOMARK CARD, mounting type: adhesive, lettering field size: 20 x 9 mm, Number of individual labels: 70

Protective cover

Protective covers - HC-B10-HCLWS-PLR-BK - 1414635



Protective cover B10, with single locking latch, protective cover material: PA, height: 21.6 mm, seal: yes, diameter of retaining cord eyelet: 30 mm
