

Housing - HC-EVO-D25-BWS-PLR-BK - 1411344

Please be informed that the data shown in this PDF Document is generated from our Online Catalog. Please find the complete data in the user's documentation. Our General Terms of Use for Downloads are valid (<http://phoenixcontact.com/download>)



Panel mounting base D25, with single locking latch, material: PA, height: 26 mm, cable gland: none, support sleeve: no, protective cover: no, Standard, with flat gasket

Your advantages

- Lower costs than metal version
- Low weight
- Lower risk of condensation
- Both contact insert PE sheets are connected by means of a metal frame integrated in the sleeve housing
- Metal inlays ensure leading PE contact with angled plugs
- Completely corrosion-resistant
- Halogen-free plastic



Key Commercial Data

Packing unit	1 pc
GTIN	 4 046356 929141
GTIN	4046356929141
Weight per Piece (excluding packing)	60.000 g
Custom tariff number	85389099
Country of origin	Poland

Technical data

Dimensions

Height	26 mm
Width	39 mm
Length	97 mm

Housing - HC-EVO-D25-BWS-PLR-BK - 1411344

Technical data

Dimensions

Length of the assembly cutout	74 mm
Width of the assembly cutout	24 mm

Ambient conditions

Degree of protection (IP)	IP66
Degree of protection (NEMA)	12 (UL 50e)
Ambient temperature (operation)	-40 °C ... 125 °C

General

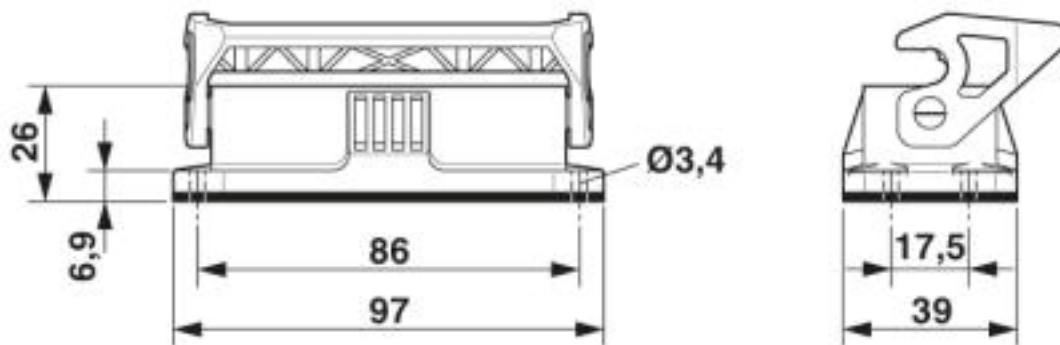
Note	For contact inserts HC-D25, A16
Size	D25
Housing type	Panel mounting base
Color	black
Locking type	with single locking latch
Torque	0.5 Nm ... 1.7 Nm (Fixing screws for panel mounting base)
Screw connection	none
Protective cover	no
Housing material	PA
Material lock	PA

Environmental Product Compliance

China RoHS	Environmentally friendly use period: unlimited = EFUP-e
	No hazardous substances above threshold values

Drawings

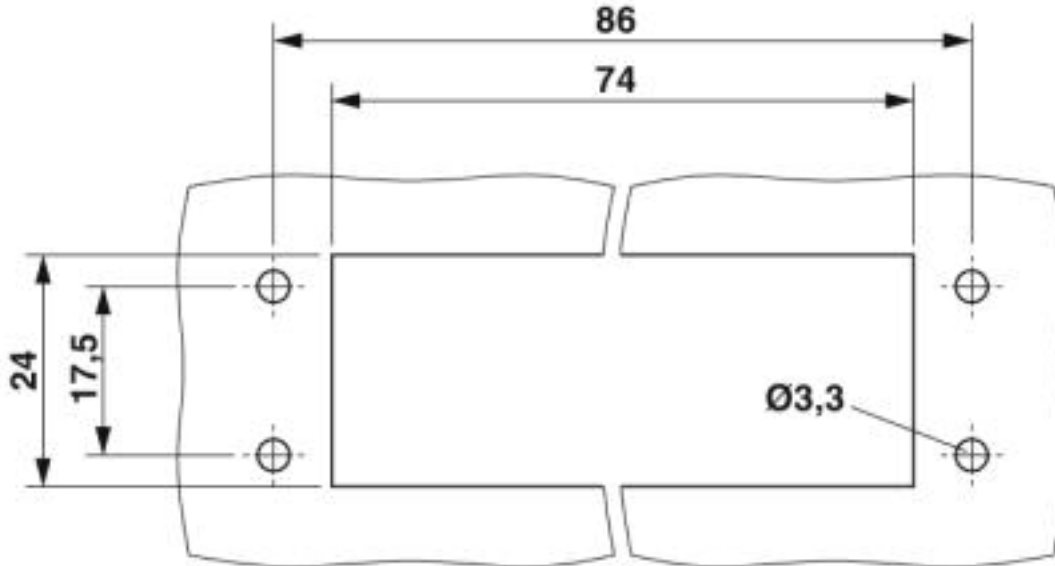
Dimensional drawing



Dimensional drawing

Housing - HC-EVO-D25-BWS-PLR-BK - 1411344

Dimensional drawing



Mounting cutout

Classifications

eCl@ss

eCl@ss 10.0.1	27440202
eCl@ss 5.1	27261200
eCl@ss 6.0	27261200
eCl@ss 7.0	27440202
eCl@ss 8.0	27440202
eCl@ss 9.0	27440202

ETIM

ETIM 4.0	EC000437
ETIM 5.0	EC000437
ETIM 6.0	EC000437
ETIM 7.0	EC000437

UNSPSC

UNSPSC 13.2	31261501
-------------	----------

Approvals

Approvals

Housing - HC-EVO-D25-BWS-PLR-BK - 1411344

Approvals

Approvals

EAC / DNV GL

Ex Approvals

Approval details

EAC		RU C- DE.AI30.B.01102
-----	--	--------------------------

DNV GL		https://approvalfinder.dnvgl.com/	TAE000037S
--------	--	---	------------

Accessories

Accessories

Housing latches

Housing brackets - HC-D25-SL-PLBK - 1414668



Replacement plastic single locking latch, for HC-EVO-D25.....BK housing

Seal

Flat gasket - HC-D25-SG-RBK - 1414670



Replacement flat gasket, for HEAVYCON EVO panel mounting base HC-EVO-D25.....BK
