

Housing - HC-STA-B24-BFDC-ELC-AL



1411332

<https://www.phoenixcontact.com/gb/products/1411332>

Please be informed that the data shown in this PDF document is generated from our Online Catalog. Please find the complete data in the user documentation. Our General Terms of Use for Downloads are valid.



HEAVYCON B24 panel mounting base, for double locking latch, with plastic protective cover, with flat gasket, salt-water-resistant aluminum, conductive profile gasket

Your advantages

- good shielding in the event of electromagnetic interference

1411332

<https://www.phoenixcontact.com/gb/products/1411332>

Commercial Data

Item number	1411332
Packing unit	1 pc
Minimum order quantity	1 pc
Sales Key	BF7APB
Product Key	BF7APB
Catalog Page	Page 641 (C-2-2019)
GTIN	4046356927529
Weight per Piece (including packing)	149.2 g
Weight per Piece (excluding packing)	147.4 g
Customs tariff number	85389099
Country of origin	CN

Technical Data

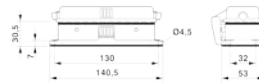
Notes

General	For contact inserts HC-B24, BB46, D64, DD108, M
---------	---

Product properties

Type	B24
Product type	Housing with locking latch
Application	Standard
Housing type	Panel mounting base
Protective cover	yes
Locking type	for double locking latch
Pg screw connection	none

Dimensions

Dimensional drawing	
Width	53 mm
Height	30.5 mm
Length	140.5 mm
Drill hole distance, horizontal	130 mm
Drill hole distance, vertical	32 mm
Hole diameter	4.5 mm

Installation dimensions

Width of the assembly cutout	35 mm
Length of the assembly cutout	113 mm

Material specifications

Color	gray aluminum
Flammability rating according to UL 94	V0 (Protective cover)
Sealing material	NBR, conductive (profile gasket) NBR, conductive (Flat gasket)
Housing surface material	uncoated
Material, protective cover	PC
Locking latch material	PA
Impact strength	IK09
Housing material	Die-cast aluminum, salt water resistant

Ambient conditions

Degree of protection	IP66 (when plugged in) IP67 (when plugged in)
----------------------	--

Housing - HC-STA-B24-BFDC-ELC-AL



1411332

<https://www.phoenixcontact.com/gb/products/1411332>

	IP54 (with closed protective cover)
Impact strength	IK09
Ambient temperature (operation)	-40 °C ... 125 °C

Mechanical properties

Mechanical data

Locking type	Pin
--------------	-----

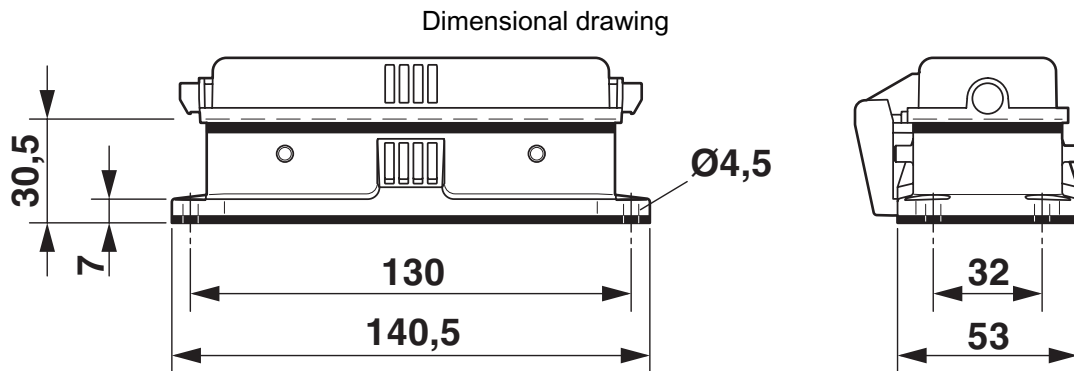
Housing - HC-STA-B24-BFDC-ELC-AL



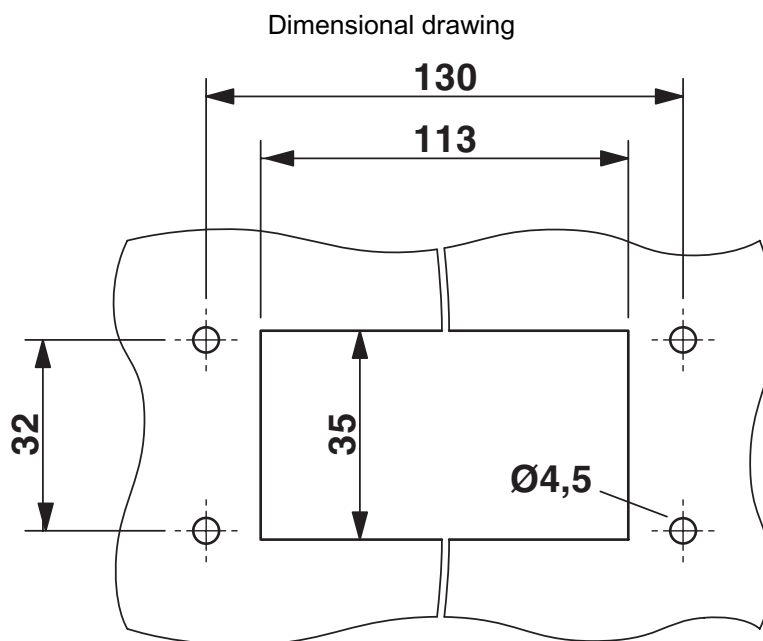
1411332

<https://www.phoenixcontact.com/gb/products/1411332>

Drawings



Dimensional drawing



Mounting cutout

Housing - HC-STA-B24-BFDC-ELC-AL



1411332

<https://www.phoenixcontact.com/gb/products/1411332>

Approvals

DNV

Approval ID: TAE000037S



EAC

Approval ID: RU C-DE.AI30.B.01102

1411332

<https://www.phoenixcontact.com/gb/products/1411332>

Classifications

ECLASS

ECLASS-9.0	27440202
ECLASS-10.0.1	27440202
ECLASS-11.0	27440202

ETIM

ETIM 8.0	EC000437
----------	----------

UNSPSC

UNSPSC 21.0	31261500
-------------	----------

Housing - HC-STA-B24-BFDC-ELC-AL



1411332

<https://www.phoenixcontact.com/gb/products/1411332>

Environmental Product Compliance

China RoHS	Environmentally friendly use period: unlimited = EFUP-e
	No hazardous substances above threshold values

1411332

<https://www.phoenixcontact.com/gb/products/1411332>

Accessories

Flat gasket

Flat gasket - HC-B24-SG-CBK - 1411486

<https://www.phoenixcontact.com/gb/products/1411486>

Replacement flat gasket, for HEAVYCON panel mounting base, HC-STA....AL, type B24, conductive



Profile gasket

Profile gasket - HC-B24-SP-CBK - 1411482

<https://www.phoenixcontact.com/gb/products/1411482>

Profile gasket for HEAVYCON EVO supporting base element type B24, conductive



Phoenix Contact 2022 © - all rights reserved

<https://www.phoenixcontact.com>

PHOENIX CONTACT Ltd

Halesfield 13, Telford

Shropshire, TF7 4PG

01952 681700

info@phoenixcontact.co.uk