

## Counter nut - A-INL-NPT3/4-P-BK - 1411238


Please be informed that the data shown in this PDF Document is generated from our Online Catalog. Please find the complete data in the user's documentation. Our General Terms of Use for Downloads are valid (<http://phoenixcontact.com/download>)

Counter nut, material: PA, for threads 3/4 inch NPT, color: jet black RAL 9005



RoHS

### Key Commercial Data

|                                      |   |
|--------------------------------------|---|
| Packing unit                         | 1 pc  |
| Minimum order quantity               | 5 pc  |
| GTIN                                 | <br>4 046356 923699 |
| GTIN                                 | 4046356923699   |
| Weight per Piece (excluding packing) | 4.000 g   |
| Custom tariff number                 | 39269097  |
| Country of origin                    | Turkey  |

### Technical data

#### Dimensions

|                            |         |
|----------------------------|---------|
| Length                     | 5 mm    |
| Connecting thread diameter | 25.9 mm |
| Wrench size, counter nut   | 33 mm   |
| Hexagon angular dimension  | 37.5 mm |

#### Ambient conditions

|                                 |                   |
|---------------------------------|-------------------|
| Ambient temperature (operation) | -40 °C ... 100 °C |
|---------------------------------|-------------------|

#### General

|  |    |
|--|----|
| Material                               | PA |
| Flammability rating according to UL 94 | V2 |

# Counter nut - A-INL-NPT3/4-P-BK - 1411238

## Technical data

### General

|                                |                    |
|--------------------------------|--------------------|
| Thread type on connection side | 3/4 inch NPT       |
| Color                          | jet black RAL 9005 |

### Standards and Regulations

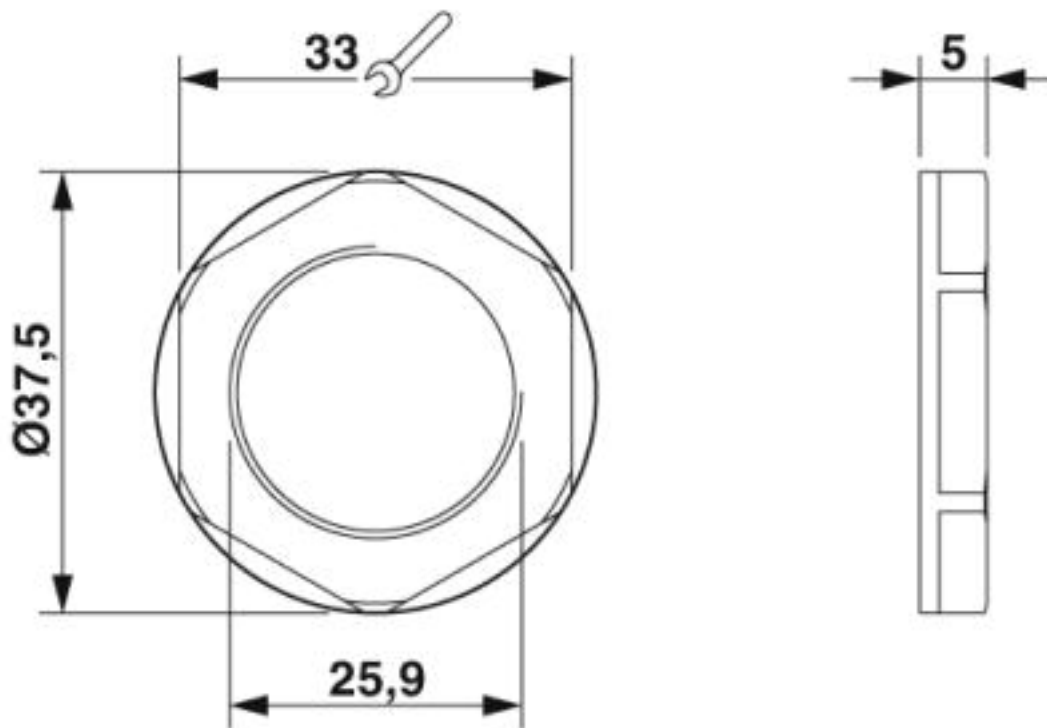
|  |     |
|--|-----|
| Halogen-free                           | yes |
| Flammability rating according to UL 94 | V2  |

### Environmental Product Compliance

|            |   |
|------------|---|
| China RoHS | Environmentally friendly use period: unlimited = EFUP-e |
|            | No hazardous substances above threshold values          |

## Drawings

Dimensional drawing



## Classifications

eCl@ss

|               |          |
|---------------|----------|
| eCl@ss 10.0.1 | 27144424 |
|---------------|----------|

## Counter nut - A-INL-NPT3/4-P-BK - 1411238

### Classifications

#### eCl@ss

|            |          |
|------------|----------|
| eCl@ss 4.0 | 27141200 |
| eCl@ss 4.1 | 27141200 |
| eCl@ss 5.0 | 27149100 |
| eCl@ss 5.1 | 27149100 |
| eCl@ss 6.0 | 27149100 |
| eCl@ss 7.0 | 27069219 |
| eCl@ss 8.0 | 27069219 |
| eCl@ss 9.0 | 27144424 |

#### ETIM

|          |          |
|----------|----------|
| ETIM 4.0 | EC000032 |
| ETIM 5.0 | EC000129 |
| ETIM 6.0 | EC000940 |
| ETIM 7.0 | EC000940 |

#### UNSPSC

|             |          |
|-------------|----------|
| UNSPSC 13.2 | 31161716 |
| UNSPSC 18.0 | 31161716 |
| UNSPSC 19.0 | 31161716 |
| UNSPSC 20.0 | 31161716 |
| UNSPSC 21.0 | 31161716 |