

Counter nut - A-INL-NPT3/8-P-BK - 1411236


Please be informed that the data shown in this PDF Document is generated from our Online Catalog. Please find the complete data in the user's documentation. Our General Terms of Use for Downloads are valid (<http://phoenixcontact.com/download>)

Counter nut, material: PA, for threads NPT3/8 inch, color: jet black RAL 9005



RoHS

Key Commercial Data

Packing unit	1 pc
Minimum order quantity	10 pc
GTIN	 4 046356 923675
GTIN	4046356923675
Weight per Piece (excluding packing)	2.000 g
Custom tariff number	39269097
Country of origin	Turkey

Technical data

Dimensions

Length	5 mm
Connecting thread diameter	16.6 mm
Wrench size, counter nut	22 mm
Hexagon angular dimension	25 mm

Ambient conditions

Ambient temperature (operation)	-40 °C ... 100 °C
---------------------------------	-------------------

General

Material	PA
Flammability rating according to UL 94	V2

Counter nut - A-INL-NPT3/8-P-BK - 1411236

Technical data

General

Thread type on connection side	NPT3/8 inch
Color	jet black RAL 9005

Standards and Regulations

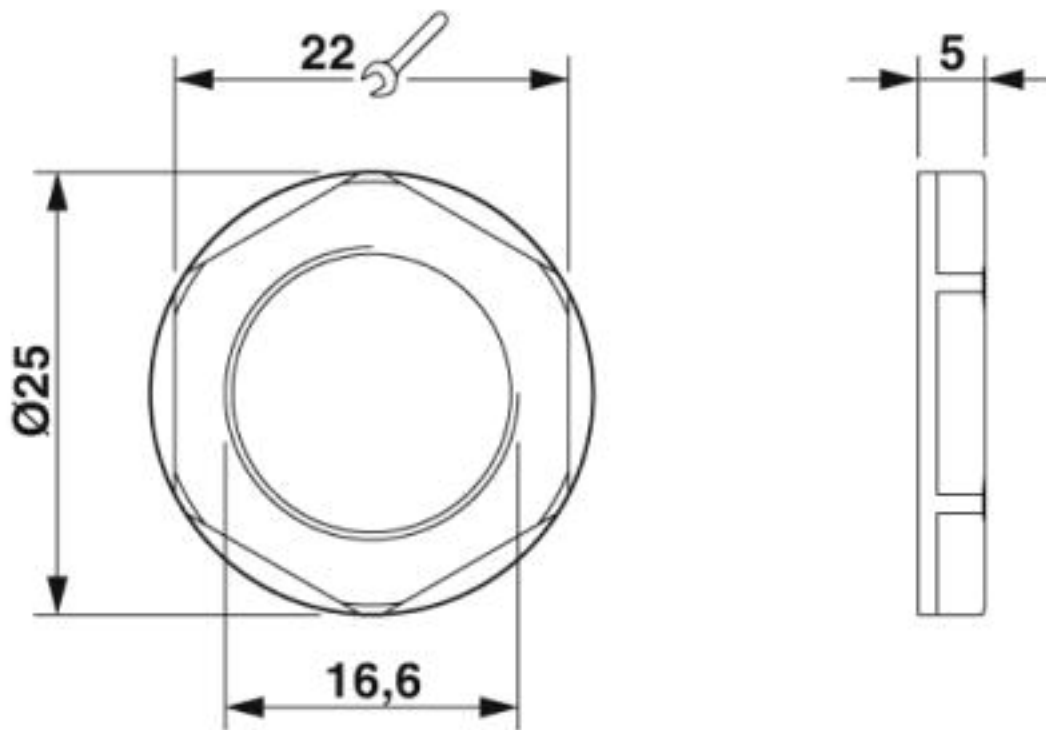
Halogen-free	yes
Flammability rating according to UL 94	V2

Environmental Product Compliance

China RoHS	Environmentally friendly use period: unlimited = EFUP-e
	No hazardous substances above threshold values

Drawings

Dimensional drawing



Classifications

eCl@ss

eCl@ss 10.0.1	27144424
---------------	----------

Counter nut - A-INL-NPT3/8-P-BK - 1411236

Classifications

eCl@ss

eCl@ss 4.0	27141200
eCl@ss 4.1	27141200
eCl@ss 5.0	27149100
eCl@ss 5.1	27149100
eCl@ss 6.0	27149100
eCl@ss 7.0	27069219
eCl@ss 8.0	27069219
eCl@ss 9.0	27144424

ETIM

ETIM 4.0	EC000032
ETIM 5.0	EC000129
ETIM 6.0	EC000940
ETIM 7.0	EC000940

UNSPSC

UNSPSC 13.2	31161716
UNSPSC 18.0	31161716
UNSPSC 19.0	31161716
UNSPSC 20.0	31161716
UNSPSC 21.0	31161716