

Counter nut - A-INL-M20-P-GY

1411207

<https://www.phoenixcontact.com/pc/products/1411207>

Please be informed that the data shown in this PDF document is generated from our Online Catalog. Please find the complete data in the user documentation. Our General Terms of Use for Downloads are valid.

Counter nut, for threads M20 x 1.5, color: silver-gray RAL 7001



Commercial Data

Item number	1411207
Packing unit	5 pc
Minimum order quantity	1 pc
Product Key	BF7DZX
Catalog Page	Page 686 (C-2-2019)
GTIN	4046356923392
Weight per Piece (including packing)	3.185 g
Weight per Piece (excluding packing)	2.298 g
Customs tariff number	39269097
Country of origin	TR

Counter nut - A-INL-M20-P-GY

1411207

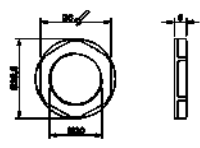
<https://www.phoenixcontact.com/pc/products/1411207>

Technical Data

Product properties

Product type	Flat nut
Thread type	M20

Dimensions

Dimensional drawing	
Length	6 mm
Connecting thread diameter	20 mm
Wrench size, counter nut	26 mm
Hexagon angular dimension	28.6 mm
Thread type connection side	M20 x 1.5
Thread pitch	1.5 mm

Material specifications

Color	silver-gray RAL 7001
Material	PA
Flammability rating according to UL 94	V2

Cable / line

Halogen-free	yes
--------------	-----

Environmental and real-life conditions

Ambient conditions

Ambient temperature (operation)	-40 °C ... 100 °C
---------------------------------	-------------------

Counter nut - A-INL-M20-P-GY

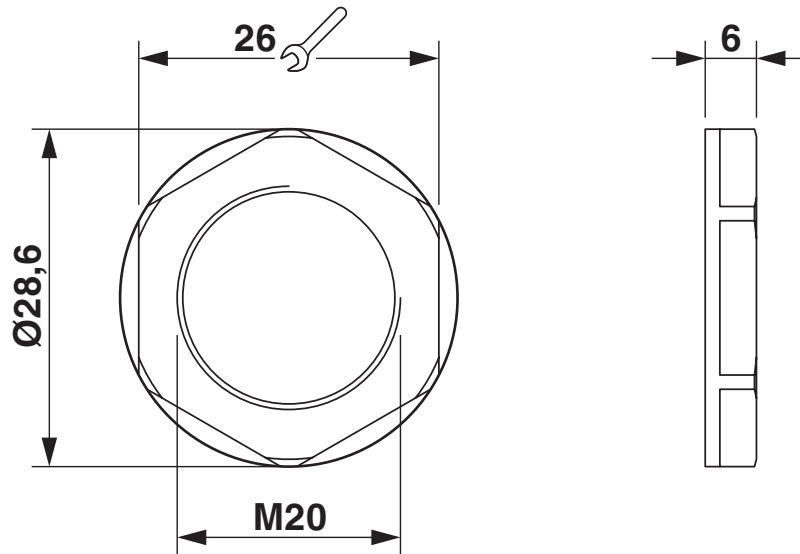
1411207

<https://www.phoenixcontact.com/pc/products/1411207>



Drawings

Dimensional drawing



Dimensional drawing

Counter nut - A-INL-M20-P-GY



1411207

<https://www.phoenixcontact.com/pc/products/1411207>

Classifications

ECLASS

ECLASS-9.0	27144424
ECLASS-10.0.1	27144424
ECLASS-11.0	27144424

ETIM

ETIM 8.0	EC000940
----------	----------

UNSPSC

UNSPSC 21.0	31161700
-------------	----------

Counter nut - A-INL-M20-P-GY



1411207

<https://www.phoenixcontact.com/pc/products/1411207>

Environmental Product Compliance

China RoHS	Environmentally friendly use period: unlimited = EFUP-e No hazardous substances above threshold values
------------	---

Phoenix Contact 2023 © - all rights reserved
<https://www.phoenixcontact.com>

PHOENIX CONTACT GmbH & Co. KG
Flachmarktstraße 8
D-32825 Blomberg
+49 (0) 5235-3 00
info@phoenixcontact.com