

Cable gland - G-INSEC-M12-S68N-NCRS-S - 1411187


Please be informed that the data shown in this PDF Document is generated from our Online Catalog. Please find the complete data in the user's documentation. Our General Terms of Use for Downloads are valid (<http://phoenixcontact.com/download>)



Cable gland, cable gland material: Nickel-plated brass, external cable diameter 4 mm ... 6.5 mm, shielding: yes, connecting thread: M12 x 1.5, color: silver, with O-ring



Key Commercial Data

Packing unit	1 pc
Minimum order quantity	10 pc
GTIN	 4 046356 923187
GTIN	4046356923187
Weight per Piece (excluding packing)	14.000 g
Custom tariff number	74199990
Country of origin	Turkey

Technical data

Dimensions

Length	28 mm
Wrench size, union nut	14 mm
Wrench size, support	14 mm
Hexagon angular dimension	15.5 mm
Length of the connecting thread	6 mm
Feed-through hole diameter	12.1 mm ... 12.2 mm
External cable diameter	4 mm ... 6.5 mm
	4 mm ... 6.5 mm (for UL 514 B)
Cable diameter without cable sheath	2.5 mm (Diameter of braided shield)

Cable gland - G-INSEC-M12-S68N-NCRS-S - 1411187

Technical data

Ambient conditions

Degree of protection (IP)	IP68 (5 bar, 30 minutes)
Degree of protection (NEMA)	4X
Ambient temperature (operation)	-40 °C ... 100 °C (static)

General

No. of conductors	1
Cable gland material	Nickel-plated brass
Material, insert	Polyamide 6
Cable seal material	CR
O-ring material	Perbunan
Shielded	yes
Thread type on connection side	M12 x 1.5
Torque	5 Nm (Union nut: EN 62444)
	5 Nm (Support: EN 62444)
	7 Nm (for UL514 B: union nut)
Color	silver
Impact category	2
Execution of the strain relief	A
Connection	<p>Method 1 Cut the outer sheath, but do not remove it. Feed the cable through the screw connection and then remove the outer sheath. Now pull the cable back until the connection is established between the cable shield and the contact spring.</p> <p>Method 2 Push the braided shield back around 15 ... 20 mm over the outer sheath. Insert the cables into the screw connection until the connection is established between the cable shield and the contact spring.</p>
Manufacturer	BIMED
Manufacturer Designation	BMEM-ES

Standards and Regulations

Halogen-free	no
Connection in acc. with standard	UL

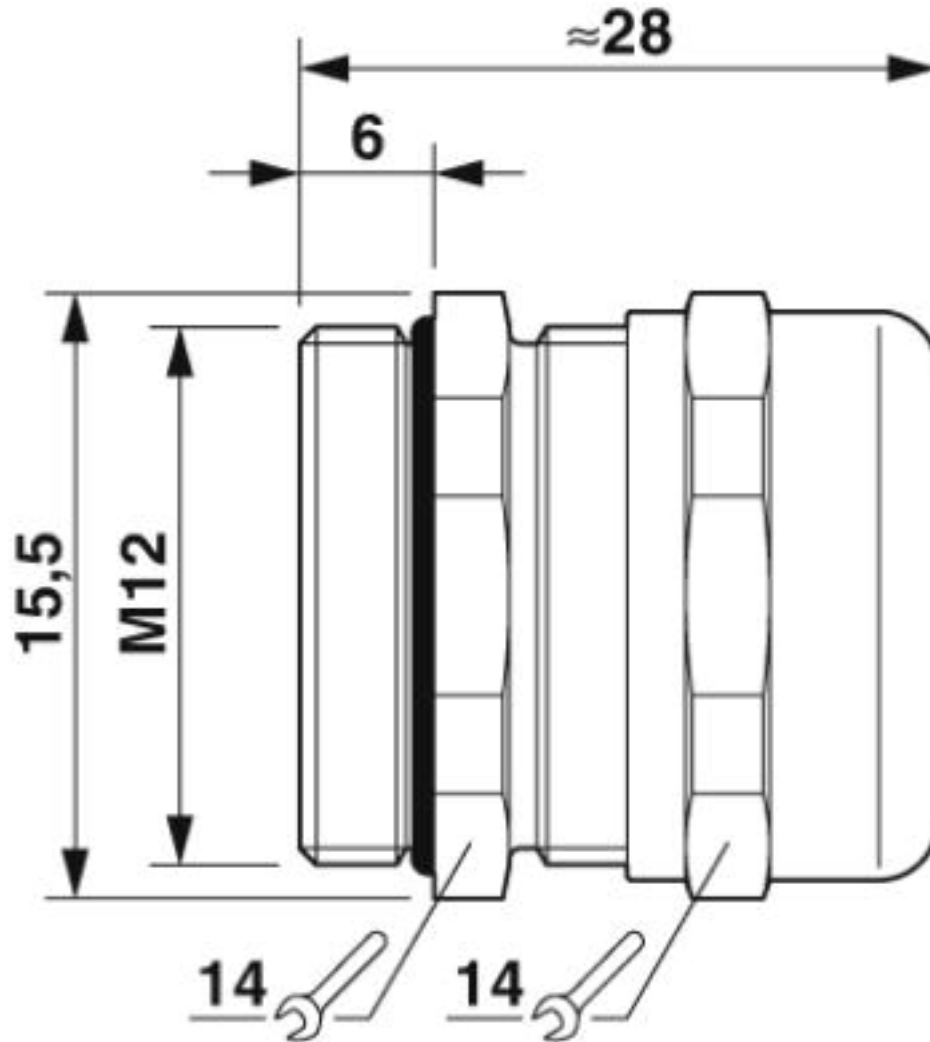
Environmental Product Compliance

REACH SVHC	Lead 7439-92-1
China RoHS	Environmentally Friendly Use Period = 50
	For details about hazardous substances go to tab "Downloads", Category "Manufacturer's declaration"

Drawings

Cable gland - G-INSEC-M12-S68N-NCRS-S - 1411187

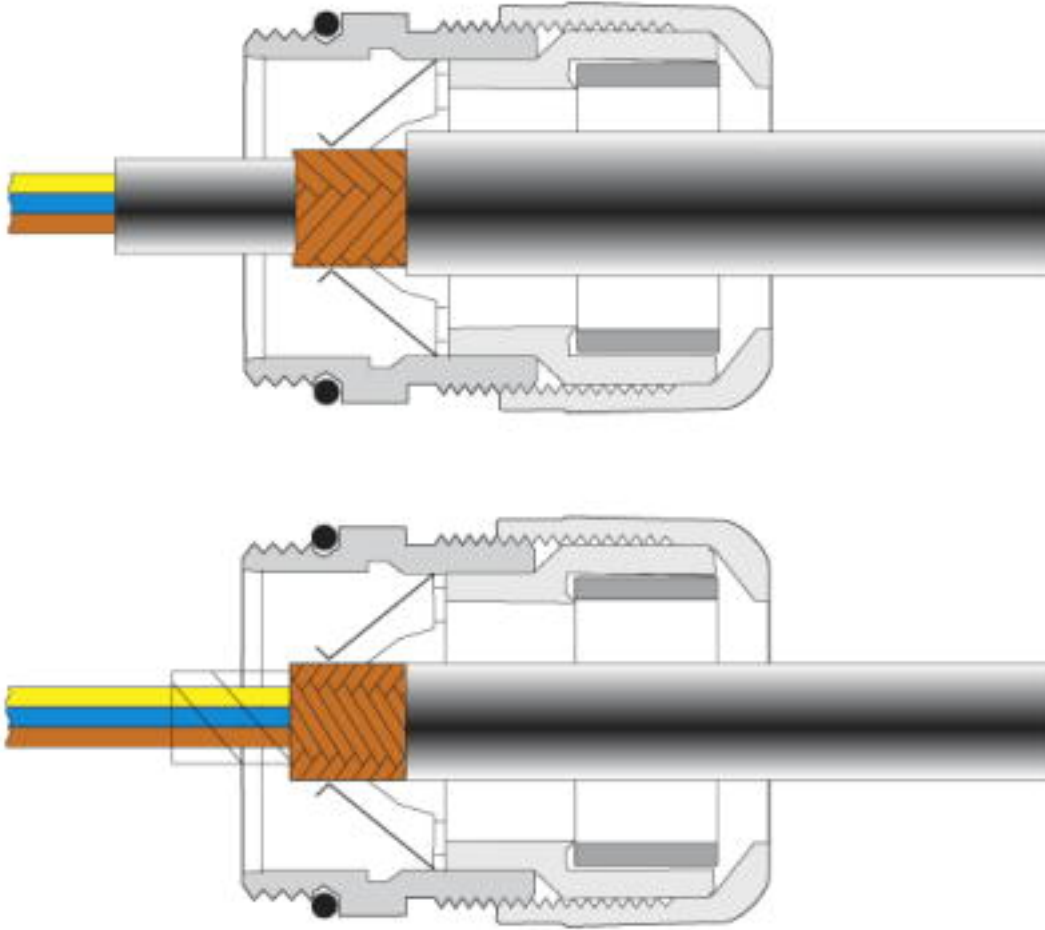
Dimensional drawing



Dimensional drawing

Cable gland - G-INSEC-M12-S68N-NCRS-S - 1411187

Functional drawing



See assembly instruction

Classifications

eCl@ss

eCl@ss 4.0	27141200
eCl@ss 4.1	27141200
eCl@ss 5.0	27149100
eCl@ss 5.1	27149100
eCl@ss 6.0	27149100
eCl@ss 7.0	27149109
eCl@ss 8.0	27149109
eCl@ss 9.0	27144432

Cable gland - G-INSEC-M12-S68N-NCRS-S - 1411187

Classifications

ETIM

ETIM 4.0	EC000441
ETIM 5.0	EC000441
ETIM 6.0	EC000441
ETIM 7.0	EC000441

UNSPSC

UNSPSC 13.2	39121311
UNSPSC 18.0	39121311
UNSPSC 19.0	39121311
UNSPSC 20.0	39121311
UNSPSC 21.0	39121311

Approvals

Approvals

Approvals

UL Recognized / cUL Recognized / cULus Recognized

Ex Approvals

Approval details

UL Recognized		http://database.ul.com/cgi-bin/XYV/template/LISEXT/1FRAME/index.htm	E199260
---------------	--	---	---------

cUL Recognized		http://database.ul.com/cgi-bin/XYV/template/LISEXT/1FRAME/index.htm	E199260
----------------	--	---	---------

cULus Recognized			
------------------	--	--	--

Cable gland - G-INSEC-M12-S68N-NCRS-S - 1411187

Accessories

Accessories

Flat nut

EMV nut - A-INLE-M12-N-S - 1411267



EMV nut, material: Brass, nickel-plated, for threads M12 x 1.5, color: silver

Sealing plugs

Closing cap - SEALING PLUG 5X12 RD - 1400253



Closing cap, material: PA, color: red