

Cable gland - G-INS-PG48-L68N-PNES-GY - 1411150

Please be informed that the data shown in this PDF Document is generated from our Online Catalog. Please find the complete data in the user's documentation. Our General Terms of Use for Downloads are valid (<http://phoenixcontact.com/download>)




Cable gland, cable gland material: PA, external cable diameter 34 mm ... 44 mm, shielding: no, connecting thread: Pg48, color: silver-gray RAL 7001

Your advantages

- Plastic material conforms to UL 746C f1

Key Commercial Data

Packing unit	1 pc
GTIN	 4 046356 922869
GTIN	4046356922869
Weight per Piece (excluding packing)	100.000 g
Custom tariff number	39269097
Country of origin	Turkey

Technical data

Dimensions

Length	68 mm
Wrench size, union nut	65 mm
Wrench size, support	65 mm
Hexagon angular dimension	72.2 mm
Length of the connecting thread	14 mm
Feed-through hole diameter	59.4 mm ... 59.7 mm
External cable diameter	34 mm ... 44 mm
	34 mm ... 44 mm (for UL 514 B)

Cable gland - G-INS-PG48-L68N-PNES-GY - 1411150

Technical data

Ambient conditions

Degree of protection (IP)	IP68 (5 bar / 0.5 h)
Ambient temperature (operation)	-40 °C ... 100 °C (static)

General

No. of conductors	1
Cable gland material	PA
Cable seal material	CR
Flammability rating according to UL 94	V2
	V2 (Housing)
Shielded	no
Thread type on connection side	Pg48
Torque	20 Nm ± (1 Nm)
Color	silver-gray RAL 7001
Assembly instructions	1) Mount screw connection support in the housing using the correct torque 2) Insert cable 3) Tighten union nut using the correct torque
Manufacturer	BIMED
Manufacturer Designation	BS-10

Standards and Regulations

Halogen-free	no
Connection in acc. with standard	CSA
Flammability rating according to UL 94	V2

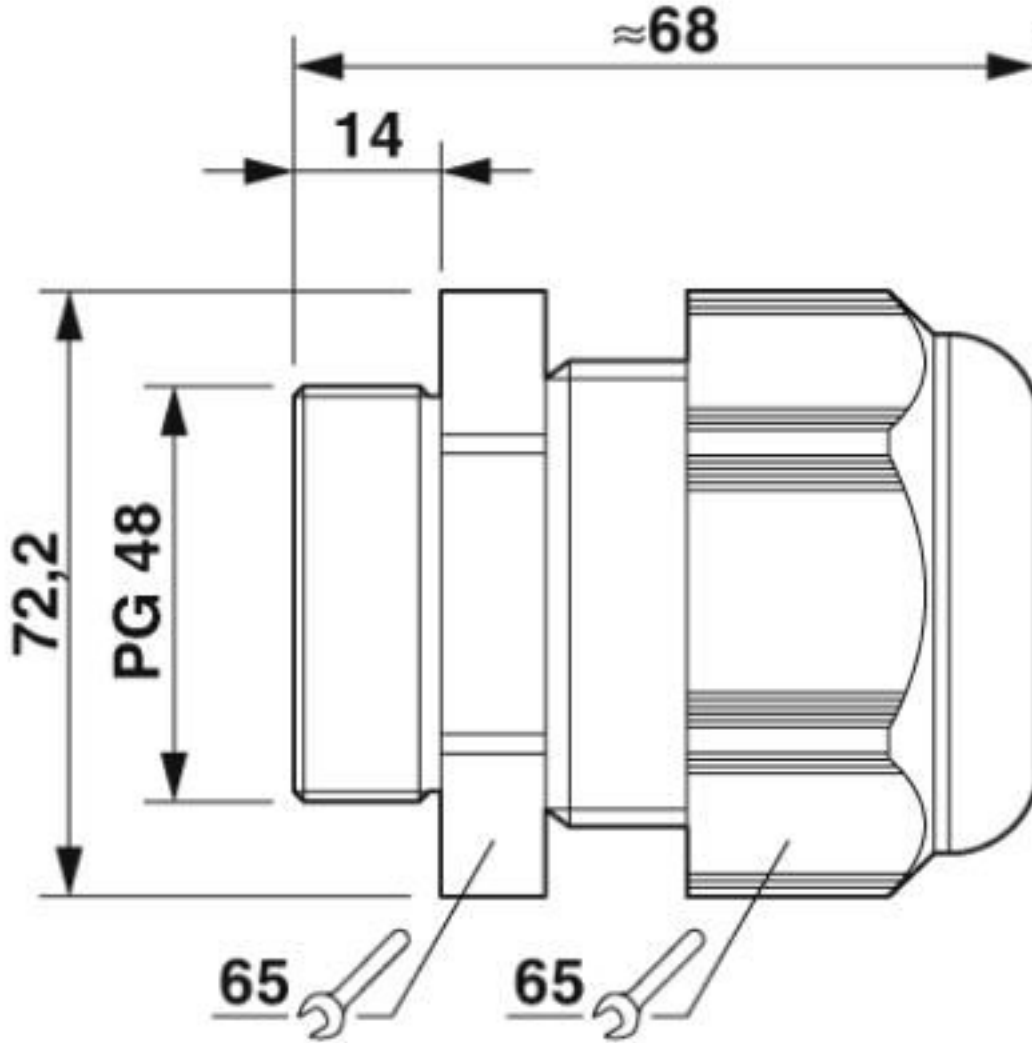
Environmental Product Compliance

China RoHS	Environmentally friendly use period: unlimited = EFUP-e
	No hazardous substances above threshold values

Drawings

Cable gland - G-INS-PG48-L68N-PNES-GY - 1411150

Dimensional drawing



Dimensional drawing

Classifications

eCl@ss

eCl@ss 10.0.1	27144432
eCl@ss 4.0	27141200
eCl@ss 4.1	27141200
eCl@ss 5.0	27149100
eCl@ss 5.1	27149100

Cable gland - G-INS-PG48-L68N-PNES-GY - 1411150

Classifications

eCl@ss

eCl@ss 6.0	27149100
eCl@ss 7.0	27149109
eCl@ss 8.0	27149109
eCl@ss 9.0	27144432

ETIM

ETIM 4.0	EC000441
ETIM 5.0	EC000441
ETIM 6.0	EC000441
ETIM 7.0	EC000441

UNSPSC

UNSPSC 13.2	39121311
UNSPSC 18.0	39121311
UNSPSC 19.0	39121311
UNSPSC 20.0	39121311
UNSPSC 21.0	39121311

Approvals

Approvals

Approvals

CSA / UL Listed

Ex Approvals

Approval details

CSA		http://www.csagroup.org/services-industries/product-listing/	115116
-----	--	---	--------

UL Listed		http://database.ul.com/cgi-bin/XYV/template/LISEXT/1FRAME/index.htm	E199260
-----------	--	---	---------

Cable gland - G-INS-PG48-L68N-PNES-GY - 1411150

Accessories

Accessories

Flat nut

Counter nut - A-INL-PG48-P-GY - 1411230



Counter nut, material: PA, for threads Pg48, color: silver-gray RAL 7001

Sealing plugs

Closing cap - SEALING PLUG 35X35 RD - 1421865



Closing cap, material: PA, color: red