

Cable gland - G-INS-M40-M68N-PNES-BK - 1411137

Please be informed that the data shown in this PDF Document is generated from our Online Catalog. Please find the complete data in the user's documentation. Our General Terms of Use for Downloads are valid (<http://phoenixcontact.com/download>)



Cable gland, cable gland material: PA, external cable diameter 19 mm ... 28 mm, shielding: no, connecting thread: M40 x 1.5, color: jet black RAL 9005

Your advantages

- Plastic material conforms to UL 746C f1

Key Commercial Data

Packing unit	1 pc
Minimum order quantity	5 pc
GTIN	 4 046356 922692
GTIN	4046356922692
Weight per Piece (excluding packing)	48.000 g
Custom tariff number	39269097
Country of origin	Turkey

Technical data

Dimensions

Length	55 mm
Wrench size, union nut	46 mm
Wrench size, support	46 mm
Hexagon angular dimension	52 mm
Length of the connecting thread	10 mm
Feed-through hole diameter	40.1 mm ... 40.3 mm
External cable diameter	19 mm ... 28 mm
	19 mm ... 28 mm (for UL 514 B)

Cable gland - G-INS-M40-M68N-PNES-BK - 1411137

Technical data

Ambient conditions

Degree of protection (IP)	IP68 (5 bar / 0.5 h)
	IP66
Ambient temperature (operation)	-40 °C ... 100 °C (static)

General

No. of conductors	1
Cable gland material	PA
Cable seal material	CR
Flammability rating according to UL 94	V2
Shielded	no
Thread type on connection side	M40 x 1.5
Torque	11 Nm ± (1 Nm)
Color	jet black RAL 9005
Impact category	4
Execution of the strain relief	A
Assembly instructions	1) Mount screw connection support in the housing using the correct torque 2) Insert cable 3) Tighten union nut using the correct torque
Manufacturer	BIMED
Manufacturer Designation	BM-EN-25

Standards and Regulations

Halogen-free	no
Connection in acc. with standard	CSA
Flammability rating according to UL 94	V2

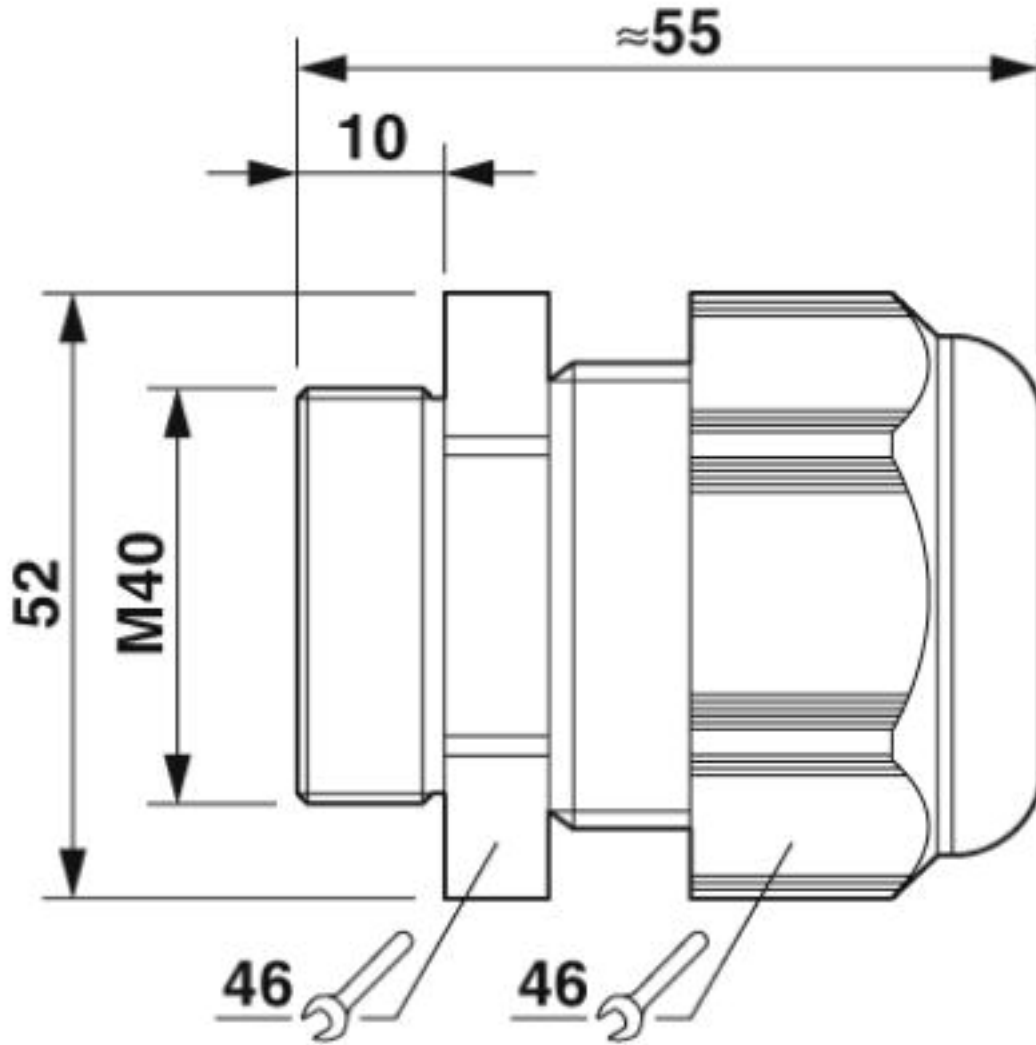
Environmental Product Compliance

China RoHS	Environmentally friendly use period: unlimited = EFUP-e
	No hazardous substances above threshold values

Drawings

Cable gland - G-INS-M40-M68N-PNES-BK - 1411137

Dimensional drawing



Dimensional drawing

Classifications

eCl@ss

eCl@ss 4.0	27141200
eCl@ss 4.1	27141200
eCl@ss 5.0	27149100
eCl@ss 5.1	27149100
eCl@ss 6.0	27149100

Cable gland - G-INS-M40-M68N-PNES-BK - 1411137

Classifications

eCl@ss

eCl@ss 7.0	27149109
eCl@ss 8.0	27149109
eCl@ss 9.0	27144432

ETIM

ETIM 4.0	EC000441
ETIM 5.0	EC000441
ETIM 6.0	EC000441
ETIM 7.0	EC000441

UNSPSC

UNSPSC 13.2	39121311
UNSPSC 18.0	39121311
UNSPSC 19.0	39121311
UNSPSC 20.0	39121311
UNSPSC 21.0	39121311

Approvals

Approvals

Approvals

CSA / UL Listed / VDE Zeichengenehmigung

Ex Approvals

Approval details

CSA		http://www.csagroup.org/services-industries/product-listing/	115116
-----	--	---	--------

UL Listed		http://database.ul.com/cgi-bin/XYV/template/LISEXT/1FRAME/index.htm	E199260
-----------	--	---	---------

Cable gland - G-INS-M40-M68N-PNES-BK - 1411137

Approvals

VDE Zeichengenehmigung



<http://www2.vde.com/de/Institut/Online-Service/VDE-gepruefteProdukte/Seiten/Online-Suche.aspx>

40024424

Accessories

Accessories

Flat nut

Counter nut - A-INL-M40-P-BK - 1411218



Counter nut, material: PA, for threads M40 x 1.5, color: jet black RAL 9005

Sealing plugs

Closing cap - SEALING PLUG 25X30 RD - 1421863



Closing cap, material: PA, color: red