

## Conductor connectors - QPD C 4PE6,0 1X9-14 BK - 1410415

Please be informed that the data shown in this PDF Document is generated from our Online Catalog. Please find the complete data in the user's documentation. Our General Terms of Use for Downloads are valid (<http://phoenixcontact.com/download>)



QUICKON cable connector, with a QUICKON nut, black, 4+PE-pos., 2.5 mm<sup>2</sup> ... 6.0 mm<sup>2</sup>/690 V/40 A, for cable diameter of 9 mm ... 14 mm.

### Your advantages

- ✓ Innovative and time saving - QUICKON fast connection for time saving of up to 80 % for on-site connection
- ✓ Convenient: quick and easy assembly without special tools
- ✓ Robust throughout: housing with IP68/IP69K and IK07 protection for a wide range of applications
- ✓ Safer connection thanks to polarization against mismatching and touch-proof protection according to DIN EN 0105
- ✓ Easy and safe - with the cable connector, you can repair or extend cables quickly, in combination with the connector as well as the coupling connection

### Key Commercial Data

Packing unit	1 pc
GTIN	 4 046356 929554
GTIN	4046356929554
Weight per Piece (excluding packing)	100.000 g
Custom tariff number	85366990
Country of origin	Poland

### Technical data

#### General

Type	QPD 5x6,0
Color	black
Locking type	Screw locking
Connection method	QUICKON connection

## Conductor connectors - QPD C 4PE6,0 1X9-14 BK - 1410415

### Technical data

#### General

	IDC connection
Number of positions	5
Note number of positions	4+PE
Wrench size, union nut	30 mm
Tightening torque, union nut	15 Nm
Conductor cross section flexible min.	2.5 mm <sup>2</sup>
Conductor cross section flexible max.	6 mm <sup>2</sup>
Conductor cross section solid min.	2.5 mm <sup>2</sup>
Conductor cross section solid max.	6 mm <sup>2</sup>
Conductor cross section AWG min.	14
Conductor cross section AWG max.	10

#### Cabel

Structure of individual litz in acc. with VDE 0295 / smallest wire diameter	VDE 0295 class 1 to 6/min. 0.15 mm
Wire insulation material	PVC/PE/TPE/rubber
Wire diameter including insulation	2.95 mm ... 5 mm
External cable diameter	9 mm ... 14 mm
Position marking	1, 2, 3, N, PE

#### Ambient conditions

Degree of protection	IP66
	IP68 (2 m / 24 h)
	IP69K
Ambient temperature (operation)	-40 °C ... 100 °C
Ambient temperature (storage/transport)	-40 °C ... 100 °C
Temperature when conductor connected	-5 °C ... 50 °C

#### Electrical characteristics

Nominal current I <sub>N</sub>	40 A
Rated current	40 A
Rated voltage (III/3)	690 V
Rated voltage (III/2)	1000 V
Rated voltage (II/2)	1000 V
Rated surge voltage (III/3)	6 kV
Rated surge voltage (III/2)	8 kV
Rated surge voltage (II/2)	8 kV

#### Mechanical characteristics

QUICKON connectability	max. 10
------------------------	---------

# Conductor connectors - QPD C 4PE6,0 1X9-14 BK - 1410415

## Technical data

### Mechanical characteristics

Insertion/withdrawal cycles	>= 50 (QUICKON connections max. 10)
Category of shock impact	IK07

### Material data

Contact material	Cu
Contact surface material	silver-plated
Contact carrier material	PA
Insulating material	PA
Flammability rating according to UL 94	V0
Overvoltage category	III
Degree of pollution	3

### Standards and Regulations

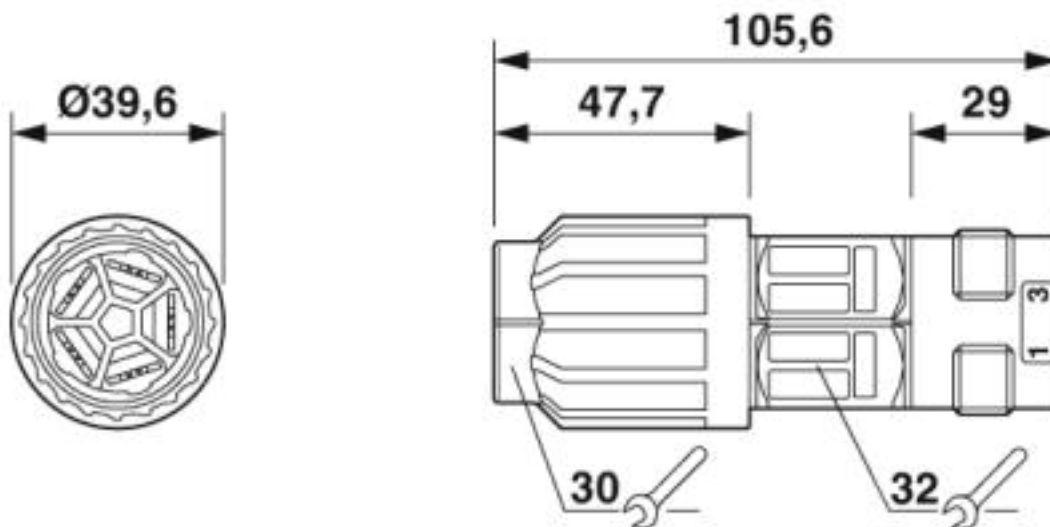
Flammability rating according to UL 94	V0
--	----

### Environmental Product Compliance

China RoHS	Environmentally friendly use period: unlimited = EFUP-e
	No hazardous substances above threshold values

## Drawings

Dimensional drawing



Dimensional drawing of QPD C 5x6,0

## Conductor connectors - QPD C 4PE6,0 1X9-14 BK - 1410415

### Classifications

#### eCl@ss

eCl@ss 4.0	27140800
eCl@ss 4.1	27140800
eCl@ss 5.0	27143400
eCl@ss 5.1	27143400
eCl@ss 6.0	27143400
eCl@ss 7.0	27440605
eCl@ss 8.0	27440604
eCl@ss 9.0	27440605

#### ETIM

ETIM 4.0	EC000516
ETIM 5.0	EC002560
ETIM 6.0	EC002560
ETIM 7.0	EC002560

#### UNSPSC

UNSPSC 13.2	39121402
UNSPSC 18.0	39121402
UNSPSC 19.0	39121402
UNSPSC 20.0	39121402
UNSPSC 21.0	39121402

### Approvals

#### Approvals

---

#### Approvals


IECEE CB Scheme / VDE Zeichengenehmigung / EAC / DNV GL / UL Listed / cUL Listed / cULus Listed

---

#### Ex Approvals

---

#### Approval details

IECEE CB Scheme		<a href="http://www.iecee.org/">http://www.iecee.org/</a>	DE1-61559
-----------------	---	---	-----------

# Conductor connectors - QPD C 4PE6,0 1X9-14 BK - 1410415

## Approvals

VDE Zeichengenehmigung		<a href="http://www2.vde.com/de/Institut/Online-Service/VDE-gepruefteProdukte/Seiten/Online-Suche.aspx">http://www2.vde.com/de/Institut/Online-Service/VDE-gepruefteProdukte/Seiten/Online-Suche.aspx</a>	40029149
Nominal voltage UN	690 V		
Nominal current IN	40 A		
mm <sup>2</sup> /AWG/kcmil	2.5-6		

EAC			RU C-DE.AI30.B.01102
-----	--	--	----------------------

DNV GL		<a href="https://approvalfinder.dnvgl.com/">https://approvalfinder.dnvgl.com/</a>	TAE00003J5
--------	--	---	------------

UL Listed		<a href="http://database.ul.com/cgi-bin/XYV/template/LISEXT/1FRAME/index.htm">http://database.ul.com/cgi-bin/XYV/template/LISEXT/1FRAME/index.htm</a>	E468743
-----------	--	---	---------

cUL Listed		<a href="http://database.ul.com/cgi-bin/XYV/template/LISEXT/1FRAME/index.htm">http://database.ul.com/cgi-bin/XYV/template/LISEXT/1FRAME/index.htm</a>	E468743
------------	--	---	---------

cULus Listed			
--------------	--	--	--

## Accessories

Accessories

Coding element

Coding profile - CP-QPD 5X6,0 - 1411402



Coding profile, red, for insertion into the 5-pos. QUICKON dome and connector, can be positioned in 72° increments.

## Conductor connectors - QPD C 4PE6,0 1X9-14 BK - 1410415

### Accessories

---

#### Protective cap

Protective cap - QPD QSK 5X6,0 - 1411403



Protective cap, black plastic, for 5 x 2.5 mm<sup>2</sup> QPD connector, IP50.

---

Protective cap - QPD QSK BK 5X6,0 FS - 1411400



Protective cap, plastic, for QUICKON connection, black, with retaining cord, IP68

---

#### Sealing plugs

Closing cap - SEALING PLUG 10X16 RD - 1400284



Closing cap, material: PA, for threads pluggable, color: red

---