

Connector set - HC-KIT-B24-R01



1409749

<https://www.phoenixcontact.com/de/produkte/1409749>

Please be informed that the data shown in this PDF document is generated from our Online Catalog. Please find the complete data in the user documentation. Our General Terms of Use for Downloads are valid.



Connector set, consisting of: B24 sleeve housing and panel mounting base, 24-pos. plug and socket insert, M32 cable gland

Commercial Data

Item number	1409749
Packing unit	1 pc
Minimum order quantity	1 pc
Sales Key	D1 - Steckverbinder
Product Key	BF7AFX
GTIN	4046356752695
Weight per Piece (including packing)	799 g
Weight per Piece (excluding packing)	707,35 g
Customs tariff number	85366990
Country of origin	DE

Connector set - HC-KIT-B24-R01

1409749

<https://www.phoenixcontact.com/de/produkte/1409749>

Set consists of

Cable gland

Cable gland - G-INS-M32-M68N-NNES-S - 1411166

<https://www.phoenixcontact.com/de/produkte/1411166>



Cable gland, material for screw connection: Nickel-plated brass, external cable diameter 15 mm ... 21 mm, shielding: no, connecting thread: M32 x 1.5, color: silver, with O-ring

Contact insert

Contact insert - HC-B 24-I-UT-M - 1648296

<https://www.phoenixcontact.com/de/produkte/1648296>



HEAVYCON pin insert, B24 series, 24-pos., screw connection

Connector set - HC-KIT-B24-R01

1409749

<https://www.phoenixcontact.com/de/produkte/1409749>

Housing

Housing - HC-STA-B24-HLFS-1TTM32-EL-AL - 1412789

<https://www.phoenixcontact.com/de/produkte/1412789>



Sleeve housing B24, for single locking latch, material: Die-cast aluminum, salt water resistant, cable outlets: 1, straight, 1x M32, height: 60 mm, cable gland: none, Standard

Housing

Housing - HC-STA-B24-BWSC-ELC-AL - 1411330

<https://www.phoenixcontact.com/de/produkte/1411330>



Panel mounting base B24, with single locking latch, material: Die-cast aluminum, salt water resistant, protective cover material: PC, height: 30.5 mm, cable gland: none, protective cover: yes, Standard, with flat gasket

Connector set - HC-KIT-B24-R01

1409749

<https://www.phoenixcontact.com/de/produkte/1409749>



Contact insert

Contact insert - HC-B 24-I-UT-F - 1648306

<https://www.phoenixcontact.com/de/produkte/1648306>

HEAVYCON female insert, B24 series, 24-pos., screw connection



Connector set - HC-KIT-B24-R01

1409749

<https://www.phoenixcontact.com/de/produkte/1409749>

Technical Data

Product properties

Type	B24
Product type	Connector set
Number of positions	24
Connection profile	24+PE
Application	Power
No. of cable outlets	1
Housing type	Complete housing
Seal present	yes
Protective cover	yes
Locking type	Single locking latch
Contact type	turned
Cable outlet	straight

Insulation characteristics

Overvoltage category	III
Degree of pollution	3

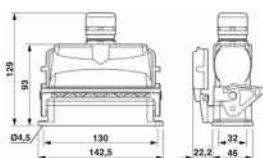
Electrical properties

Rated voltage (III/3)	500 V
Rated surge voltage	6 kV
Rated current	20 A
Nominal voltage U_N	500 V
Nominal current I_N	16 A

Connection data

Connection method	Screw connection
Connection technology	Screw connection
Conductor cross section	0.5 mm ² ... 2.5 mm ² (applies to stranded conductors with ferrules) 0.5 mm ² ... 2.5 mm ² (applies to stranded conductors with ferrules)
Connection cross section AWG	20 ... 14
Tightening torque	0.5 Nm ... 0.8 Nm

Dimensions

Dimensional drawing	
Width	43 mm
Height	135 mm
Length	140 mm

Connector set - HC-KIT-B24-R01



1409749

<https://www.phoenixcontact.com/de/produkte/1409749>

Installation dimensions

Width of the assembly cutout	35 mm
Length of the assembly cutout	113 mm

Material specifications

Flammability rating according to UL 94	V0
Sealing material	NBR, conductive
Housing surface material	uncoated
Contact material	Copper alloy
Contact surface material	Ag
Contact carrier material	PC
Locking latch material	PA
Impact strength	IK09
Housing material	Aluminum cast alloy, powder-coated

Cable / line

External cable diameter	15 mm ... 21 mm
	17 mm ... 21 mm (for UL 514 B)
	14 mm ... 21 mm

Mechanical properties

Mechanical data

Locking type	Latch
--------------	-------

Environmental and real-life conditions

Ambient conditions

Degree of protection	IP65
Impact strength	IK09
Ambient temperature (operation)	-40 °C ... 100 °C

Mounting

Mounting type	Screw mounting
---------------	----------------

Connector set - HC-KIT-B24-R01

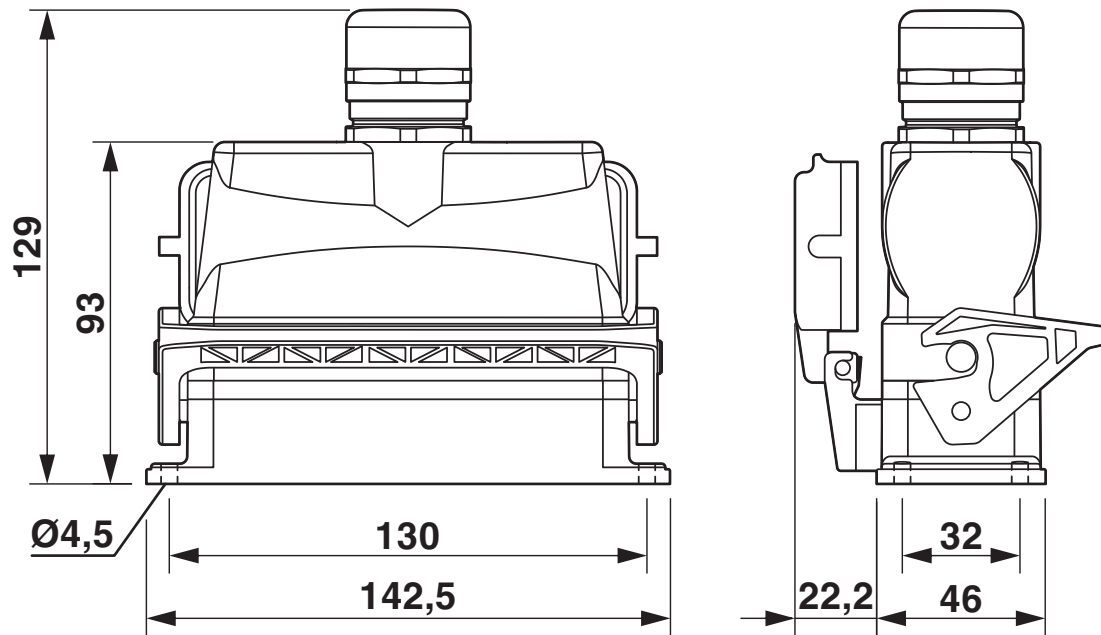
1409749

<https://www.phoenixcontact.com/de/produkte/1409749>



Drawings

Dimensional drawing



Dimensional drawing

Connector set - HC-KIT-B24-R01



1409749

<https://www.phoenixcontact.com/de/produkte/1409749>

Approvals



EAC

Approval ID: RU C-DE.BL08.B.00511

Connector set - HC-KIT-B24-R01



1409749

<https://www.phoenixcontact.com/de/produkte/1409749>

Classifications

ECLASS

ECLASS-9.0	27440101
ECLASS-10.0.1	27440101
ECLASS-11.0	27440101

ETIM

ETIM 8.0	EC002636
----------	----------

UNSPSC

UNSPSC 21.0	39121400
-------------	----------

Connector set - HC-KIT-B24-R01



1409749

<https://www.phoenixcontact.com/de/produkte/1409749>

Environmental Product Compliance

REACH SVHC	Lead 7439-92-1
China RoHS	Environmentally Friendly Use Period = 50 years
	For information on hazardous substances, refer to the manufacturer's declaration available under "Downloads"

Phoenix Contact 2023 © - all rights reserved

<https://www.phoenixcontact.com>

PHOENIX CONTACT Deutschland GmbH

Flachsmarktstraße 8

D-32825 Blomberg

+49 52 35/3-1 20 00

info@phoenixcontact.de