

Housing - HC-COM-K-TFL-O1PG16-S - 1408339

Please be informed that the data shown in this PDF Document is generated from our Online Catalog. Please find the complete data in the user's documentation. Our General Terms of Use for Downloads are valid (<http://phoenixcontact.com/download>)



Sleeve housing for single locking engagement nose, lateral cable outlet, for HC-COM-K-KV-PG16 screw connections...



Key Commercial Data

Packing unit	1 pc
Minimum order quantity	2 pc
GTIN	 4 046356 618076
GTIN	4046356618076
Weight per Piece (excluding packing)	30.000 g
Custom tariff number	85389099
Country of origin	China

Technical data

Dimensions

Height	54 mm
Width	46 mm
Length	29 mm

Ambient conditions

Degree of protection (IP)	IP65
	IP66
Ambient temperature (operation)	-40 °C ... 125 °C

General

Size	COM
------	-----

Housing - HC-COM-K-TFL-O1PG16-S - 1408339

Technical data

General

Housing type	Sleeve housing
Color	light gray
Locking type	with single locking latch
No. of cable outlets	1
Cable outlet	lateral
Screw connection	none
Type of the screw connection	1x Pg16
Material	PC
Housing material	PC
Flammability rating according to UL 94	V0

Standards and Regulations

Flammability rating according to UL 94	V0
--	----

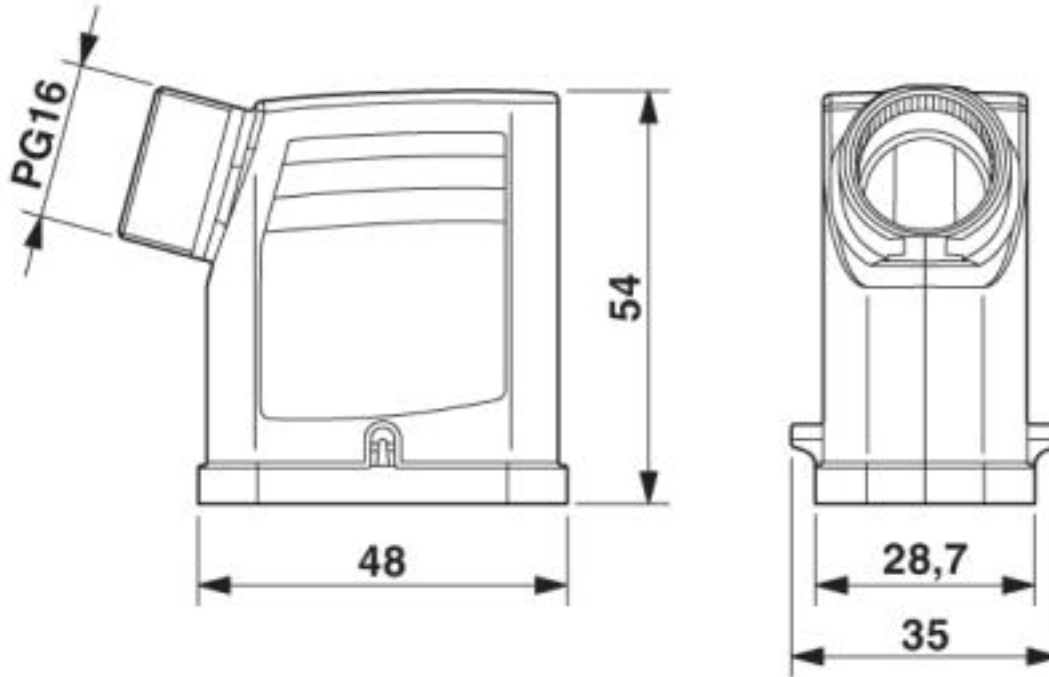
Environmental Product Compliance

China RoHS	Environmentally friendly use period: unlimited = EFUP-e
	No hazardous substances above threshold values

Drawings

Housing - HC-COM-K-TFL-O1PG16-S - 1408339

Dimensional drawing



Dimensional drawing

Classifications

eCl@ss

eCl@ss 10.0.1	27440202
eCl@ss 4.0	27140800
eCl@ss 4.1	27140800
eCl@ss 5.0	27143400
eCl@ss 5.1	27261200
eCl@ss 6.0	27261200
eCl@ss 7.0	27440202
eCl@ss 8.0	27440202
eCl@ss 9.0	27440202

ETIM

ETIM 4.0	EC000437
ETIM 5.0	EC000437
ETIM 6.0	EC000437
ETIM 7.0	EC000437

Housing - HC-COM-K-TFL-O1PG16-S - 1408339

Classifications

UNSPSC

UNSPSC 6.01	31261502
UNSPSC 7.0901	31261502
UNSPSC 11	31261502
UNSPSC 12.01	31261502
UNSPSC 13.2	31261501
UNSPSC 18.0	31261501
UNSPSC 19.0	31261501
UNSPSC 20.0	31261501
UNSPSC 21.0	31261501

Approvals

Approvals

Approvals

EAC

Ex Approvals

Approval details

EAC		RU C- DE.AI30.B.01102
-----	--	--------------------------

Accessories

Accessories

Half screw connection

Cable gland - VC-K-KV-PG16(9-13) - 1853764



Half screw connection Pg16, made of plastic, consisting of rubber seal with one hole and one pressure screw, for type 1 housings, cable [mm] 9 - 13

Housing - HC-COM-K-TFL-O1PG16-S - 1408339

Accessories

Cable gland - VC-K-KV-PG16(11,5-15,5) - 1854844



Half screw connection Pg16, made of plastic, consisting of rubber seal with one hole and one pressure screw, for type 1 housings, cable [mm] 11.5 - 15.5