

Mounting frame - SI-M1A-GL

1407592

<https://www.phoenixcontact.com/pc/products/1407592>

Please be informed that the data shown in this PDF document is generated from our Online Catalog. Please find the complete data in the user documentation. Our General Terms of Use for Downloads are valid.



Mounting frame for one front plate/socket, plastic frame: black, plastic cover: gray, closed with 3 mm two-way key bit and rotary knob, included.

Commercial Data

Item number	1407592
Packing unit	1 pc
Minimum order quantity	1 pc
Product Key	BF7EAX
Catalog Page	Page 714 (C-2-2017)
GTIN	4046356776042
Weight per Piece (including packing)	121.9 g
Weight per Piece (excluding packing)	120 g
Customs tariff number	85389099
Country of origin	DE

Mounting frame - SI-M1A-GL

1407592

<https://www.phoenixcontact.com/pc/products/1407592>

Technical Data

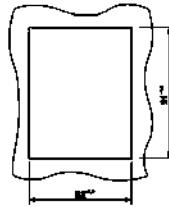
Notes

Note on application	with enclosed rotary knob
---------------------	---------------------------

Product properties

Product type	Mounting frame
Type	for 1 front plate

Dimensions

Dimensional drawing	
Width	66 mm
Depth	34.5 mm
Length	127 mm

Installation dimensions

Width of the assembly cutout	52 mm
Length of the assembly cutout	91 mm

Material specifications

Color	white
Flammability rating according to UL 94	V0
Housing material	PBT

Environmental and real-life conditions

Ambient conditions

Degree of protection	IP65
Ambient temperature (operation)	-30 °C ... 70 °C
Ambient temperature (storage/transport)	-30 °C ... 80 °C

Mounting

Assembly instructions	Suitable for panel thicknesses 1 mm ... 5 mm
-----------------------	--

Mounting frame - SI-M1A-GL

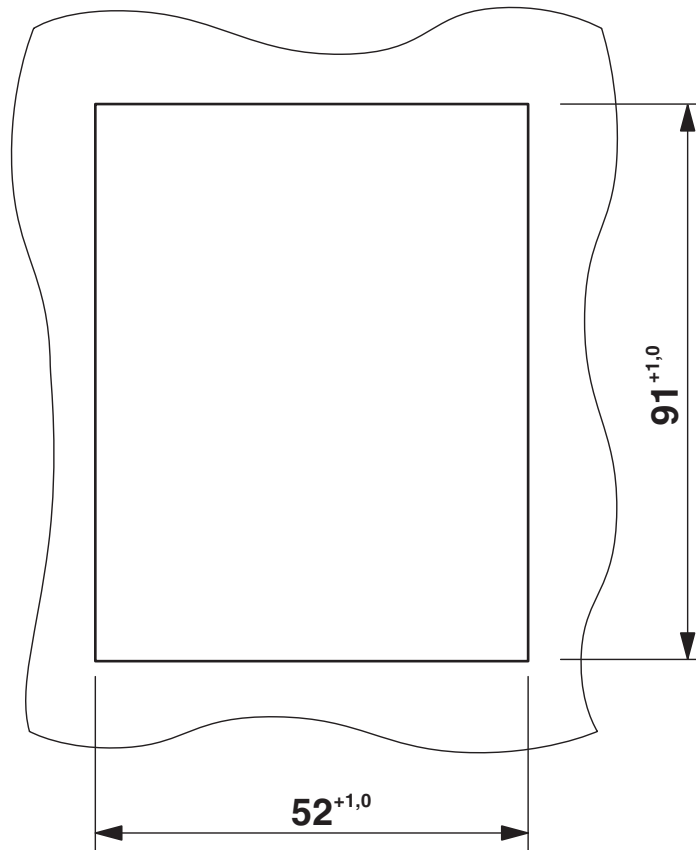
1407592

<https://www.phoenixcontact.com/pc/products/1407592>



Drawings

Dimensional drawing



Mounting cutout

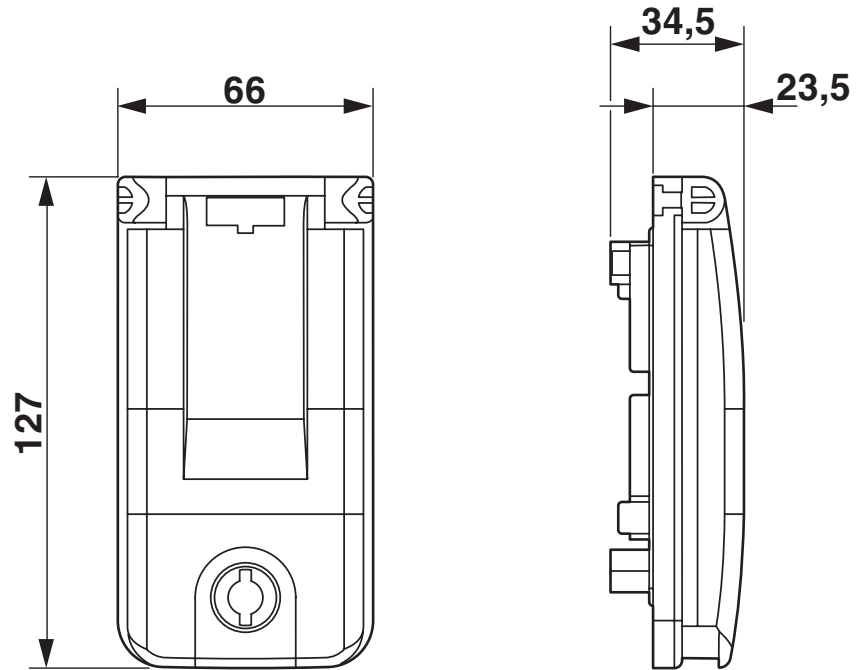
Mounting frame - SI-M1A-GL

1407592

<https://www.phoenixcontact.com/pc/products/1407592>



Dimensional drawing



Dimensional drawing

Mounting frame - SI-M1A-GL



1407592

<https://www.phoenixcontact.com/pc/products/1407592>

Approvals



cUL Recognized
Approval ID: E255026



UL Recognized
Approval ID: E255026



EAC
Approval ID: RU C-DE.A*30.B.01102

cULus Recognized

Mounting frame - SI-M1A-GL

1407592

<https://www.phoenixcontact.com/pc/products/1407592>



Classifications

ECLASS

ECLASS-9.0	27189217
ECLASS-10.0.1	27182806
ECLASS-11.0	27182702

ETIM

ETIM 8.0	EC001031
----------	----------

UNSPSC

UNSPSC 21.0	31261500
-------------	----------

Mounting frame - SI-M1A-GL

1407592

<https://www.phoenixcontact.com/pc/products/1407592>



Environmental Product Compliance

China RoHS	Environmentally Friendly Use Period = 50 years For information on hazardous substances, refer to the manufacturer's declaration available under "Downloads"
------------	--

Mounting frame - SI-M1A-GL

1407592

<https://www.phoenixcontact.com/pc/products/1407592>

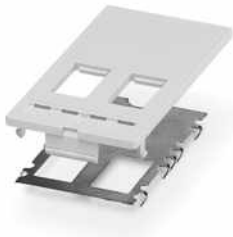


Accessories

Front plate

Front plate - VS-SI-FP-2RJ-MOD - 1656631

<https://www.phoenixcontact.com/pc/products/1656631>



Front plate, plastic with shroud, for 2x RJ with modular system (Keystone)

Front plate

Front plate - VS-SI-FP-2DSUB9 - 1656563

<https://www.phoenixcontact.com/pc/products/1656563>



Data front plate, plastic, for 2 x 9-pos. D-SUB, item 1656961 may be required for mounting D-SUB inserts

Mounting frame - SI-M1A-GL

1407592

<https://www.phoenixcontact.com/pc/products/1407592>



Front plate

Front plate - VS-SI-FP-DSUB9-DSUB25 - 1656589

<https://www.phoenixcontact.com/pc/products/1656589>



Data front plate, plastic, for 1 x 9-pos. D-SUB and 1 x 25-pos. D-SUB, item 1656961 may be required for mounting D-SUB inserts

Front plate

Front plate - VS-SI-FP-BP - 1656657

<https://www.phoenixcontact.com/pc/products/1656657>



Front plate, material: PBT

Mounting frame - SI-M1A-GL

1407592

<https://www.phoenixcontact.com/pc/products/1407592>



Front plate

Front plate - VS-SI-FP-2F - 1658532

<https://www.phoenixcontact.com/pc/products/1658532>

Front plate, plastic, with two Freenet slots



Phoenix Contact 2023 © - all rights reserved

<https://www.phoenixcontact.com>

PHOENIX CONTACT GmbH & Co. KG

Flachsmarktstraße 8

D-32825 Blomberg

+49 (0) 5235-3 00

info@phoenixcontact.com