

VS-PPC-J-1-SCRJ-MNBK - Fiber optic coupling



1405206

<https://www.phoenixcontact.com/pc/products/1405206>

Please be informed that the data shown in this PDF document is generated from our Online Catalog. Please find the complete data in the user documentation. Our General Terms of Use for Downloads are valid.

SC-RJ push-pull coupling, IP65, metal, with protective cover, color: nickel-plated



Commercial Data

Item number	1405206
Packing unit	1 pc
Minimum order quantity	1 pc
Product Key	ABNEBA
Catalog Page	Page 371 (C-2-2019)
GTIN	4046356332804
Weight per Piece (including packing)	112.7 g
Weight per Piece (excluding packing)	112.7 g
Customs tariff number	85366990
Country of origin	DE

Technical Data

Product properties

Type	SC-RJ
Product type	Female insert
Number of positions	2
Connection profile	SCRJ
Cable outlet	straight

Insulation characteristics

Overvoltage category	III
Degree of pollution	2

Electrical properties

Rated surge voltage	0.8 kV
Attenuation	0.2 dB (acc. to IEC 61300-3-4)
Insulation resistance	≥ 500 MΩ
Nominal current I_N	0.5 A
Transmission medium	FO

Connection data

Connection technology

Connection method	Coupling
-------------------	----------

Dimensions

Mechanical characteristics

Ferrule diameter	2.50 mm
------------------	---------

Material specifications

Color	silver
Material	Metal
Flammability rating according to UL 94	V0
Housing surface material	metal-plated
Contact surface material	Gold
Housing material	Metal

Cable/line

Cable type	Fiber optics
Resistance to oil	yes
Flame resistance	yes

FO cable

Number of fibers	2
Fiber type	GOF, PCF, POF

VS-PPC-J-1-SCRJ-MNBK - Fiber optic coupling



1405206

<https://www.phoenixcontact.com/pc/products/1405206>

Mechanical properties

Mechanical data

Insertion/withdrawal cycles	>= 500
-----------------------------	--------

Characteristics

Attenuation	0.2 dB (acc. to IEC 61300-3-4)
-------------	--------------------------------

Environmental and real-life conditions

Ambient conditions

Degree of protection	IP65/IP67
Ambient temperature (operation)	-40 °C ... 85 °C
Ambient temperature (storage/transport)	-40 °C ... 85 °C
Ambient temperature (assembly)	0 °C ... 50 °C
Resistance to oil	yes

Standards and regulations

Flame resistance	yes
Resistance to oil	yes

VS-PPC-J-1-SCRJ-MNBK - Fiber optic coupling

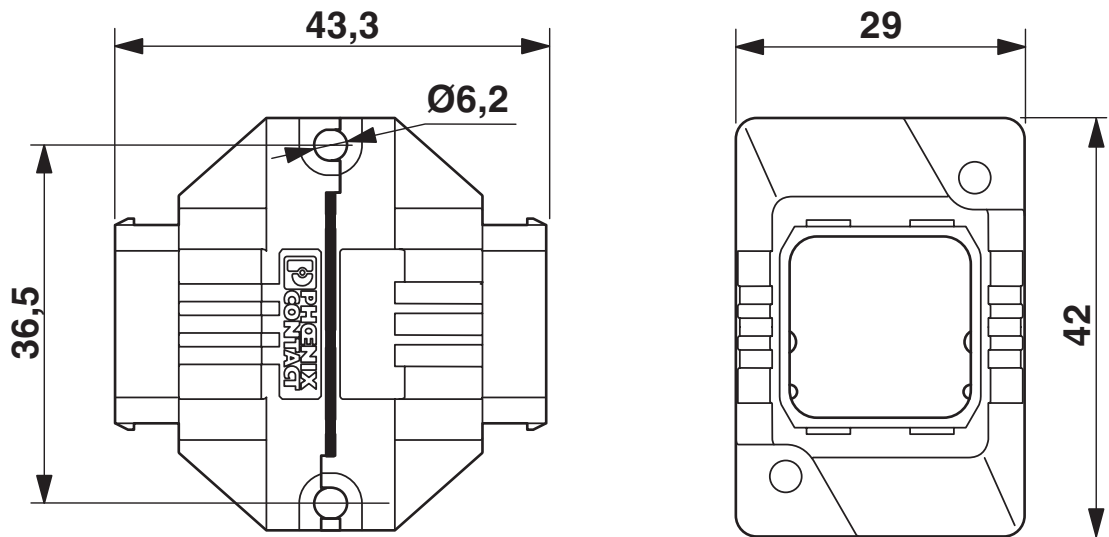


1405206

<https://www.phoenixcontact.com/pc/products/1405206>

Drawings

Dimensional drawing



SCRJ push-pull coupling

VS-PPC-J-1-SCRJ-MNBK - Fiber optic coupling



1405206

<https://www.phoenixcontact.com/pc/products/1405206>

Approvals



EAC

Approval ID: B.01687



UL Listed

Approval ID: E308814-20070105

VS-PPC-J-1-SCRJ-MNBK - Fiber optic coupling



1405206

<https://www.phoenixcontact.com/pc/products/1405206>

Classifications

ECLASS

ECLASS-9.0	19179290
ECLASS-10.0.1	19179290
ECLASS-11.0	19179090

ETIM

ETIM 8.0	EC002608
----------	----------

UNSPSC

UNSPSC 21.0	43222600
-------------	----------

VS-PPC-J-1-SCRJ-MNBK - Fiber optic coupling



1405206

<https://www.phoenixcontact.com/pc/products/1405206>

Environmental Product Compliance

China RoHS	Environmentally friendly use period: unlimited = EFUP-e
	No hazardous substances above threshold values

Phoenix Contact 2023 © - all rights reserved
<https://www.phoenixcontact.com>

PHOENIX CONTACT GmbH & Co. KG
Flachmarktstraße 8
D-32825 Blomberg
+49 (0) 5235-3 00
info@phoenixcontact.com