

Conductor connectors - QPD C 4PE2,5 2X9-16 BK



1403836

<https://www.phoenixcontact.com/pc/products/1403836>

Please be informed that the data shown in this PDF document is generated from our Online Catalog. Please find the complete data in the user documentation. Our General Terms of Use for Downloads are valid.



QUICKON cable connector, black, 4+PE-pos., 1.0 mm² ... 2.5 mm² / 690 V / 20 A, for 9 mm ... 16 mm cable diameter.

Your advantages

- Innovative and time saving - QUICKON fast connection for time saving of up to 80 % for on-site connection
- Robust throughout: housing with IP68/IP69K and IK07 protection for a wide range of applications
- Safer connection with mechanical coding to protect against mismatching, and touch-proof protection in accordance with DIN EN 0105
- Easy and safe - with the cable connector, you can repair or extend cables quickly, in combination with the connector as well as the coupling connection

Commercial Data

Item number	1403836
Packing unit	1 pc
Minimum order quantity	1 pc
Product Key	BF6CCB
Catalog Page	Page 483 (C-2-2019)
GTIN	4046356670326
Weight per Piece (including packing)	90 g
Weight per Piece (excluding packing)	90 g
Customs tariff number	85366990
Country of origin	PL

1403836

<https://www.phoenixcontact.com/pc/products/1403836>

Technical Data

Mounting

Wrench size	27 mm
-------------	-------

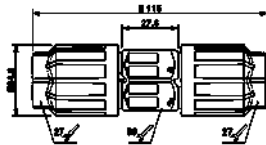
Product properties

Type	QPD 5x2,5
Product type	Cable connector
Number of positions	5
Connection profile	4+PE
Position marking	1, 2, 3, N, PE
Number of connections per position	1
Locking type	Screw locking
Series	QPD
Coding	Coding profile

Insulation characteristics

Overvoltage category	III
Degree of pollution	3

Dimensions

Dimensional drawing	
Width	34.6 mm
Height	34.6 mm
Length	115 mm
Diameter	34.6 mm
Wrench size	27 mm

Connection data

Connection technology

Connection method	QUICKON fast connection
Connection system, internal	IDC connection
Connection technology	QUICKON connection
Frequency of connections between conductors of the same cross section	max. 10

Conductor connection

Conductor cross section solid	1 mm ² ... 2.5 mm ²
Conductor cross section flexible	1 mm ² ... 2.5 mm ²
Conductor cross section AWG	16 ... 14

1403836

<https://www.phoenixcontact.com/pc/products/1403836>

Wrench size, union nut	27 mm
Tightening torque, union nut	10 Nm
Tightening torque, counter nut	5 Nm

Electrical properties

Rated surge voltage (II/2)	8 kV
Rated surge voltage (III/2)	8 kV
Rated surge voltage (III/3)	6 kV
Rated current	20 A
Contact resistance	< 3 mΩ
rated voltage (II/2)	1000 V
rated voltage (III/2)	1000 V
Rated voltage (III/3)	690 V
Nominal voltage U_N	690 V AC 690 V DC
Nominal current I_N	20 A

Mechanical properties

Mechanical data

Insertion/withdrawal cycles	max. 50
-----------------------------	---------

Material specifications

Color Housing	black
Flammability rating according to UL 94	V0
Insulating material	PA
Contact material	Cu
Contact surface material	silver-plated
Contact carrier material	PA
Housing material	PA

Cable / line

Structure of individual litz in acc. with VDE 0295 / smallest wire diameter	VDE 0295 class 1 to 6/min. 0.15 mm
External cable diameter	9 mm ... 16 mm
Wire diameter including insulation	2 mm ... 3.8 mm
Position marking	1, 2, 3, N, PE
Material wire insulation	PVC/PE/TPE/rubber
Halogen-free	yes

Ambient conditions

Degree of protection	IP66 IP68 (2 m / 24 h) IP69K
Ambient temperature (operation)	-40 °C ... 100 °C

Conductor connectors - QPD C 4PE2,5 2X9-16 BK



1403836

<https://www.phoenixcontact.com/pc/products/1403836>

Temperature when conductor connected	-5 °C ... 50 °C
Ambient temperature (storage/transport)	-40 °C ... 100 °C

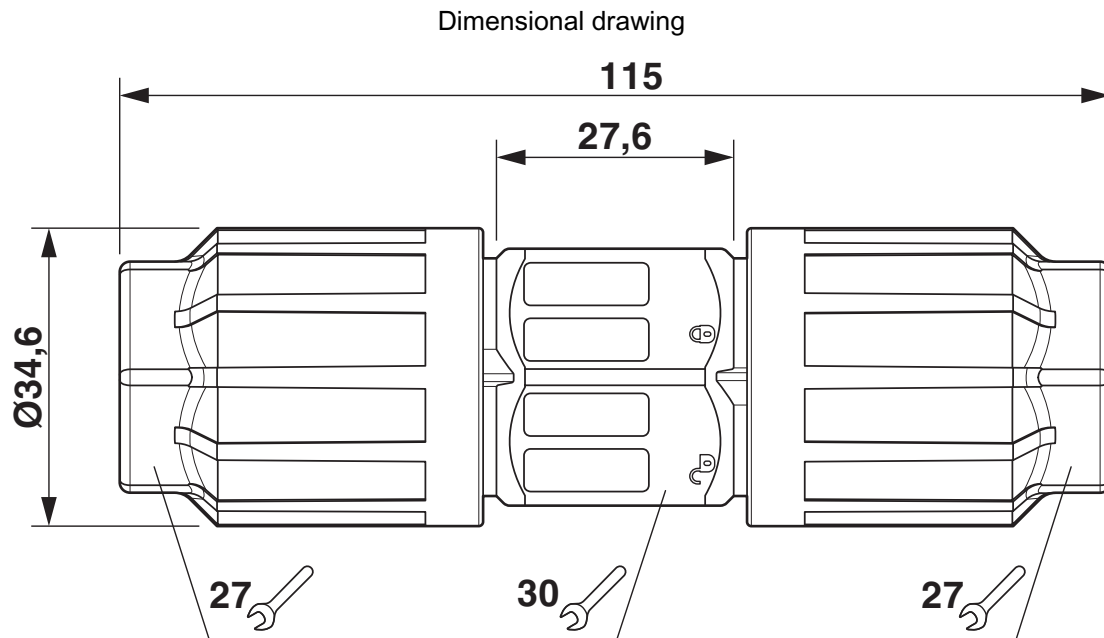
Conductor connectors - QPD C 4PE2,5 2X9-16 BK



1403836

<https://www.phoenixcontact.com/pc/products/1403836>

Drawings



QPD C 5x2.5 dimensional drawing

Conductor connectors - QPD C 4PE2,5 2X9-16 BK



1403836

<https://www.phoenixcontact.com/pc/products/1403836>

Approvals



IECEE CB Scheme

Approval ID: DE1-65875



EAC

Approval ID: RU C-DE.AI30.B.01102



DNV GL

Approval ID: TAE00003J5



EAC

Approval ID: RU C-DE.BL08.B.00511



VDE Zeichengenehmigung

Approval ID: 40029149



UL Listed

Approval ID: E468743

	Nominal Voltage U_N	Nominal Current I_N	Cross Section AWG	Cross Section mm^2
	600 V	10 A	-	- 14



cUL Listed

Approval ID: E468743

	Nominal Voltage U_N	Nominal Current I_N	Cross Section AWG	Cross Section mm^2
	600 V	10 A	- 14	-

cULus Listed

Conductor connectors - QPD C 4PE2,5 2X9-16 BK



1403836

<https://www.phoenixcontact.com/pc/products/1403836>

Classifications

ECLASS

ECLASS-9.0	27440605
ECLASS-10.0.1	27440605
ECLASS-11.0	27440605

ETIM

ETIM 8.0	EC002560
----------	----------

UNSPSC

UNSPSC 21.0	39121400
-------------	----------

Conductor connectors - QPD C 4PE2,5 2X9-16 BK



1403836

<https://www.phoenixcontact.com/pc/products/1403836>

Environmental Product Compliance

China RoHS	Environmentally friendly use period: unlimited = EFUP-e
	No hazardous substances above threshold values

Conductor connectors - QPD C 4PE2,5 2X9-16 BK



1403836

<https://www.phoenixcontact.com/pc/products/1403836>

Accessories

Socket wrench

Socket wrench - QSS 27 - 1670646

<https://www.phoenixcontact.com/pc/products/1670646>



Allen wrench, for loosening and fastening the QUICKON union nut, WAF 27 mm

Coding profile

Coding profile - CP-QPD 5X2,5 - 1404530

<https://www.phoenixcontact.com/pc/products/1404530>



Coding profile, red, for insertion into the 5-pos. QUICKON dome and connector, can be positioned in 72° increments.

Conductor connectors - QPD C 4PE2,5 2X9-16 BK



1403836

<https://www.phoenixcontact.com/pc/products/1403836>

Protective cap

Protective cap - QPD QSK 5X2,5 - 1404528

<https://www.phoenixcontact.com/pc/products/1404528>



Protective cap, transparent plastic, for 5x 2.5 mm² QPD QUICKON connection, IP50.

Protective cap

Protective cap - QPD QSK BK 5X2,5 FS - 1404525

<https://www.phoenixcontact.com/pc/products/1404525>



Protective cap, plastic, for QUICKON connection, black, with retaining cord, IP68

Conductor connectors - QPD C 4PE2,5 2X9-16 BK

1403836

<https://www.phoenixcontact.com/pc/products/1403836>

Closing cap

Closing cap - SEALING PLUG 14X22 RD - 1400270

<https://www.phoenixcontact.com/pc/products/1400270>



Closing cap, for threads pluggable, color: red

Panel feed-through

Panel feed-through - QPD W 4PE2,5 9-16 M20 0,5 BK - 1403731

<https://www.phoenixcontact.com/pc/products/1403731>



Panel feed-through, QUICKON connection, number of positions: 4+PE, 1 mm² ... 2.5 mm², 690 V, 20 A, black, with QUICKON nut, external cable diameter: 9 mm ... 16 mm, assembly thread: M20, Single wires (welded-on), 2.5 mm², wires cut flat at the end, cable length: 0.5 m

Conductor connectors - QPD C 4PE2,5 2X9-16 BK

1403836

<https://www.phoenixcontact.com/pc/products/1403836>

Panel feed-through

Panel feed-through - QPD W 4PE2,5 9-16 M20 1,0 BK - 1403733

<https://www.phoenixcontact.com/pc/products/1403733>



Panel feed-through, QUICKON connection, number of positions: 4+PE, 1 mm² ... 2.5 mm², 690 V, 20 A, black, with QUICKON nut, external cable diameter: 9 mm ... 16 mm, assembly thread: M20, Single wires (welded-on), 2.5 mm², wires cut flat at the end, cable length: 1 m

Panel feed-through

Panel feed-through - QPD W 4PE2,5 9-16 M20 FC BK - 1403735

<https://www.phoenixcontact.com/pc/products/1403735>



Panel feed-through, QUICKON connection, number of positions: 4+PE, 1 mm² ... 2.5 mm², 690 V, 15 A, black, with QUICKON nut, external cable diameter: 9 mm ... 16 mm, assembly thread: M20, Spade connection (For slip-on sleeves according to DIN 46247-2)

Conductor connectors - QPD C 4PE2,5 2X9-16 BK



1403836

<https://www.phoenixcontact.com/pc/products/1403836>

Panel feed-through

Panel feed-through - QPD W 4PE2,5 9-16 M25 0,5 BK - 1582561

<https://www.phoenixcontact.com/pc/products/1582561>



Panel feed-through, QUICKON connection, number of positions: 4+PE, 1 mm² ... 2.5 mm², 690 V, 20 A, black, with QUICKON nut, external cable diameter: 9 mm ... 16 mm, assembly thread: M25, Single wires (welded-on), 2.5 mm², wires cut flat at the end, cable length: 0.5 m

Panel feed-through

Panel feed-through - QPD W 4PE2,5 9-16 M25 1,0 BK - 1582562

<https://www.phoenixcontact.com/pc/products/1582562>



Panel feed-through, QUICKON connection, number of positions: 4+PE, 1 mm² ... 2.5 mm², 690 V, 20 A, black, with QUICKON nut, external cable diameter: 9 mm ... 16 mm, assembly thread: M25, Single wires (welded-on), 2.5 mm², wires cut flat at the end, cable length: 1 m

Conductor connectors - QPD C 4PE2,5 2X9-16 BK

1403836

<https://www.phoenixcontact.com/pc/products/1403836>

Panel feed-through

Panel feed-through - QPD W 4PE2,5 9-16 M25 FC BK - 1582563

<https://www.phoenixcontact.com/pc/products/1582563>



QUICKON panel feed-through, black, 4+PE-pos. 1.0 mm² ... 2.5 mm²/690 V/20 A, with QUICKON nut, for 9 mm ... 16 mm cable diameter, M25 connection thread with 5 slip-on contacts for slip-on sleeves according to DIN 46247-2

Panel feed-through

Panel feed-through - QPD W 4PE2,5 9-16 M25 DT BK - 1411433

<https://www.phoenixcontact.com/pc/products/1411433>



QUICKON panel feed-through, black, 4+PE-pos., 1.0 mm² ... 2.5 mm²/690 V/20 A, with QUICKON nut, for cable diameter of 9 mm ... 16 mm, with push-in spring-cage connection.

Conductor connectors - QPD C 4PE2,5 2X9-16 BK

1403836

<https://www.phoenixcontact.com/pc/products/1403836>

Conductor connectors

Conductor connectors - QPD C 4PE2,5 1X9-16 BK - 1403831

<https://www.phoenixcontact.com/pc/products/1403831>



QUICKON cable connector, black, 4+PE-pos., 1.0 mm² ... 2.5 mm² / 690 V / 20 A, for 9 mm ... 16 mm cable diameter.

T distributor

T distributor - QPD T 4PE 2X9-16 BK - 1405404

<https://www.phoenixcontact.com/pc/products/1405404>



QUICKON T-distributor, black, 4+PE-pos., 1.0 mm² ... 2.5 mm²/690 V/20 A, for cable diameter of 9 mm ... 16 mm, with two QUICKON nuts

Conductor connectors - QPD C 4PE2,5 2X9-16 BK



1403836

<https://www.phoenixcontact.com/pc/products/1403836>

T distributor

T distributor - QPD T 4PE 3X9-16 BK - 1405402

<https://www.phoenixcontact.com/pc/products/1405402>



QUICKON T-distributor, black, 4+PE-pos., 1.0 mm² ... 2.5 mm²/690 V/20 A, for cable diameter of 9 mm ... 16 mm, with three QUICKON nuts

H distributor

H distributor - QPD H 4PE2,5 4X9-16 BK - 1406369

<https://www.phoenixcontact.com/pc/products/1406369>



QUICKON H-distributor, black, 4 pos. +PE, 1.0 mm² ... 2.5 mm² / 690 V / 20 A, for cable diameters of 9 mm ... 16 mm, with a sealing bolt.

Conductor connectors - QPD C 4PE2,5 2X9-16 BK

1403836

<https://www.phoenixcontact.com/pc/products/1403836>

Nut

Nut - QPD N 4PE2,5 9-16 BK - 1459647

<https://www.phoenixcontact.com/pc/products/1459647>



QUICKON nut, black, 4+PE-pos., 1.0 mm² ... 2.5 mm²/690 V/20 A, for cables with 9 mm ... 16 mm diameter.

Connector

Connector - QPD P 4PE2,5 9-16 BK - 1403782

<https://www.phoenixcontact.com/pc/products/1403782>



QUICKON connector, black, 4+PE-pos., 1.0 mm² ... 2.5 mm²/690 V/20 A, with QUICKON nut, for cables with 9 mm ... 16 mm diameter.

Conductor connectors - QPD C 4PE2,5 2X9-16 BK



1403836

<https://www.phoenixcontact.com/pc/products/1403836>

Connector

Connector - QPD P 4PE2,5 9-16 TL BK - 1039561

<https://www.phoenixcontact.com/pc/products/1039561>



QUICKON connector, black, 4+PE-pos., 1.0 mm² ... 2.5 mm²/690 V/20 A, with QUICKON nut, for cables with 9 mm ... 16 mm diameter.

Phoenix Contact 2023 © - all rights reserved

<https://www.phoenixcontact.com>

PHOENIX CONTACT GmbH & Co. KG

Flachsmarktstraße 8

D-32825 Blomberg

+49 (0) 5235-3 00

info@phoenixcontact.com