

## Panel feed-through - QPD W 4PE2,5 9-16 M20 0,5 BK - 1403731

Please be informed that the data shown in this PDF Document is generated from our Online Catalog. Please find the complete data in the user's documentation. Our General Terms of Use for Downloads are valid (<http://phoenixcontact.com/download>)



Panel feed-through, QUICKON connection, number of positions: 4+PE, 1 mm<sup>2</sup> ... 2.5 mm<sup>2</sup>, 690 V, 20 A, black, with QUICKON nut, cable diameter range: 9 mm ... 16 mm, assembly thread: M20, Single wires (welded-on), 2.5 mm<sup>2</sup>, wires cut flat at the end, cable length: 0.5 m

### Why buy this product

- ✓ Innovative and time saving - QUICKON fast connection for time saving of up to 80 % for on-site connection
- ✓ Convenient: quick and easy assembly without special tools
- ✓ Robust throughout: housing with IP68/IP69K and IK07 protection for a wide range of applications
- ✓ Safer connection thanks to polarization against mismatching and touch-proof protection according to DIN EN 0105
- ✓ Efficient - by using panel feed-throughs, devices no longer need to be opened in order to connect cables

RoHS

### Key Commercial Data

Packing unit	1 STK
GTIN	 4 046356 665056
GTIN	4046356665056
Weight per Piece (excluding packing)	140.000 g
Custom tariff number	85444290
Country of origin	Poland

### Technical data

#### General

Type	QPD 5x2,5
Length of cable	0.5 m
Color	black
Locking type	Screw locking
Connection method	QUICKON connection

## Panel feed-through - QPD W 4PE2,5 9-16 M20 0,5 BK - 1403731

### Technical data

#### General

	IDC connection
Number of positions	5
Note number of positions	4+PE
Wrench size, union nut	27 mm
Tightening torque, union nut	10 Nm
Tightening torque, counter nut	5 Nm
Wrench size, counter nut	30 mm
Number of connections	10
Conductor cross section flexible min.	1 mm <sup>2</sup>
Conductor cross section flexible max.	2.5 mm <sup>2</sup>
Conductor cross section solid min.	1 mm <sup>2</sup>
Conductor cross section solid max.	2.5 mm <sup>2</sup>
Conductor cross section AWG min.	16
Conductor cross section AWG max.	14

#### Cabel

Structure of individual litz in acc. with VDE 0295 / smallest wire diameter	VDE 0295 class 1 to 6/min. 0.15 mm
Wire insulation material	PVC/PE/TPE/rubber
Wire diameter including insulation	2 mm ... 3.8 mm
External cable diameter	9 mm ... 16 mm
Conductor cross section	2.5 mm <sup>2</sup>
Wire colors	black, brown, gray, blue, green/yellow
Position marking	1, 2, 3, N, PE

#### Ambient conditions

Degree of protection	IP66
	IP68 (2 m / 24 h)
	IP69K
Ambient temperature (operation)	-40 °C ... 100 °C
Ambient temperature (storage/transport)	-40 °C ... 80 °C
Temperature when conductor connected	-5 °C ... 50 °C

#### Electrical characteristics

Nominal current I <sub>N</sub>	20 A
Rated current	20 A
Rated voltage (III/3)	690 V
Rated voltage (III/2)	1000 V
Rated voltage (II/2)	1000 V
Rated surge voltage (III/3)	6 kV

# Panel feed-through - QPD W 4PE2,5 9-16 M20 0,5 BK - 1403731

## Technical data

### Electrical characteristics

Rated surge voltage (III/2)	8 kV
Rated surge voltage (II/2)	8 kV

### Mechanical characteristics

QUICKON connectability	max. 10
Category of shock impact	IK07

### Material data

Contact material	Cu
Contact surface material	silver-plated
Contact carrier material	PA
Insulating material	PA
Flammability rating according to UL 94	V0
Overvoltage category	III
Degree of pollution	3

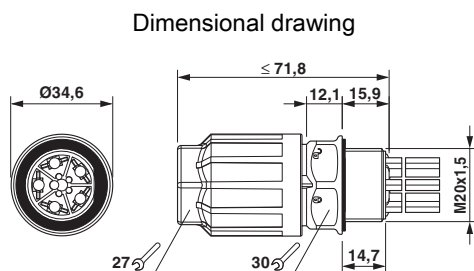
### Standards and Regulations

Flammability rating according to UL 94	V0
--	----

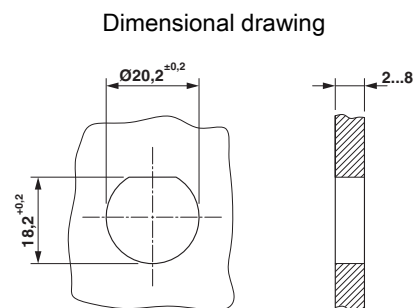
### Environmental Product Compliance

China RoHS	Environmentally Friendly Use Period = 50
	For details about hazardous substances go to tab "Downloads", Category "Manufacturer's declaration"

## Drawings



Dimensional drawing of the QPD W 5x2,5 M20



Housing cutout

## Classifications

eCl@ss

eCl@ss 4.0	272607xx
------------	----------

# Panel feed-through - QPD W 4PE2,5 9-16 M20 0,5 BK - 1403731

## Classifications

### eCl@ss

eCl@ss 4.1	27260701
eCl@ss 5.0	27143424
eCl@ss 5.1	27143400
eCl@ss 6.0	27143400
eCl@ss 7.0	27440602
eCl@ss 8.0	27440602
eCl@ss 9.0	27440602

### ETIM

ETIM 3.0	EC001283
ETIM 4.0	EC000516
ETIM 5.0	EC002566
ETIM 6.0	EC002061

### UNSPSC

UNSPSC 6.01	31251501
UNSPSC 7.0901	31251501
UNSPSC 11	31251501
UNSPSC 12.01	39121522
UNSPSC 13.2	39121522

## Approvals

### Approvals

---

#### Approvals

GL / VDE approval of drawings / IECEE CB Scheme / EAC

---

#### Ex Approvals

---

### Approval details

GL		<a href="http://exchange.dnv.com/tari/">http://exchange.dnv.com/tari/</a>	6195914 HH
----	---	---	------------

# Panel feed-through - QPD W 4PE2,5 9-16 M20 0,5 BK - 1403731

## Approvals

VDE approval of drawings		<a href="http://www2.vde.com/de/Institut/Online-Service/VDE-gepruefteProdukte/Seiten/Online-Suche.aspx">http://www2.vde.com/de/Institut/Online-Service/VDE-gepruefteProdukte/Seiten/Online-Suche.aspx</a>	40029149
Nominal voltage UN		690 V	
Nominal current IN		20 A	
mm <sup>2</sup> /AWG/kcmil		1-2.5	

IECEE CB Scheme		<a href="http://www.iecee.org/">http://www.iecee.org/</a>	DE1-58228
-----------------	--	---	-----------

EAC			RU C- DE.AI30.B.01102
-----	--	--	--------------------------

## Accessories

### Accessories

#### Coding element

Coding profile - CP-QPD 5X2,5 - 1404530



Coding profile, red, for insertion into the 5-pos. QUICKON dome and connector, can be positioned in 72° increments.

#### Protective cap

Protective cap - QPD QSK BK 5X2,5 FS - 1404525

Protective cap, plastic, for QUICKON connection, black, with retaining cord, IP68



#### Sealing plugs

## Panel feed-through - QPD W 4PE2,5 9-16 M20 0,5 BK - 1403731

### Accessories

Closing cap - SEALING PLUG 14X22 RD - 1400270



Closing cap, PA, for threads pluggable, color: red

---

### Socket spanner

Socket wrench - QSS 27 - 1670646



Allen wrench, for loosening and fastening the QUICKON union nut, WAF 27 mm

---

Q-MU-M20 BK - 1586099



Phoenix Contact 2018 © - all rights reserved  
<http://www.phoenixcontact.com>