

## Flush-type connector - SACC-E-FS-12CON-M16/1,0 SCO - 1401030


Please be informed that the data shown in this PDF Document is generated from our Online Catalog. Please find the complete data in the user's documentation. Our General Terms of Use for Downloads are valid (<http://phoenixcontact.com/download>)



Sensor/actuator flush-type socket, 12-pos., M12 SPEEDCON, front/screw mounting with M16 thread, with 1.0 m PVC litz wire, 12 x 0.14 mm<sup>2</sup>



### Key Commercial Data

|                                      |   |
|--------------------------------------|---|
| Packing unit                         | 1 pc  |
| Minimum order quantity               | 50 pc   |
| GTIN                                 | <br>4 046356 517409 |
| GTIN                                 | 4046356517409   |
| Weight per Piece (excluding packing) | 40.000 g  |
| Custom tariff number                 | 85444290  |
| Country of origin                    | Germany   |

### Technical data

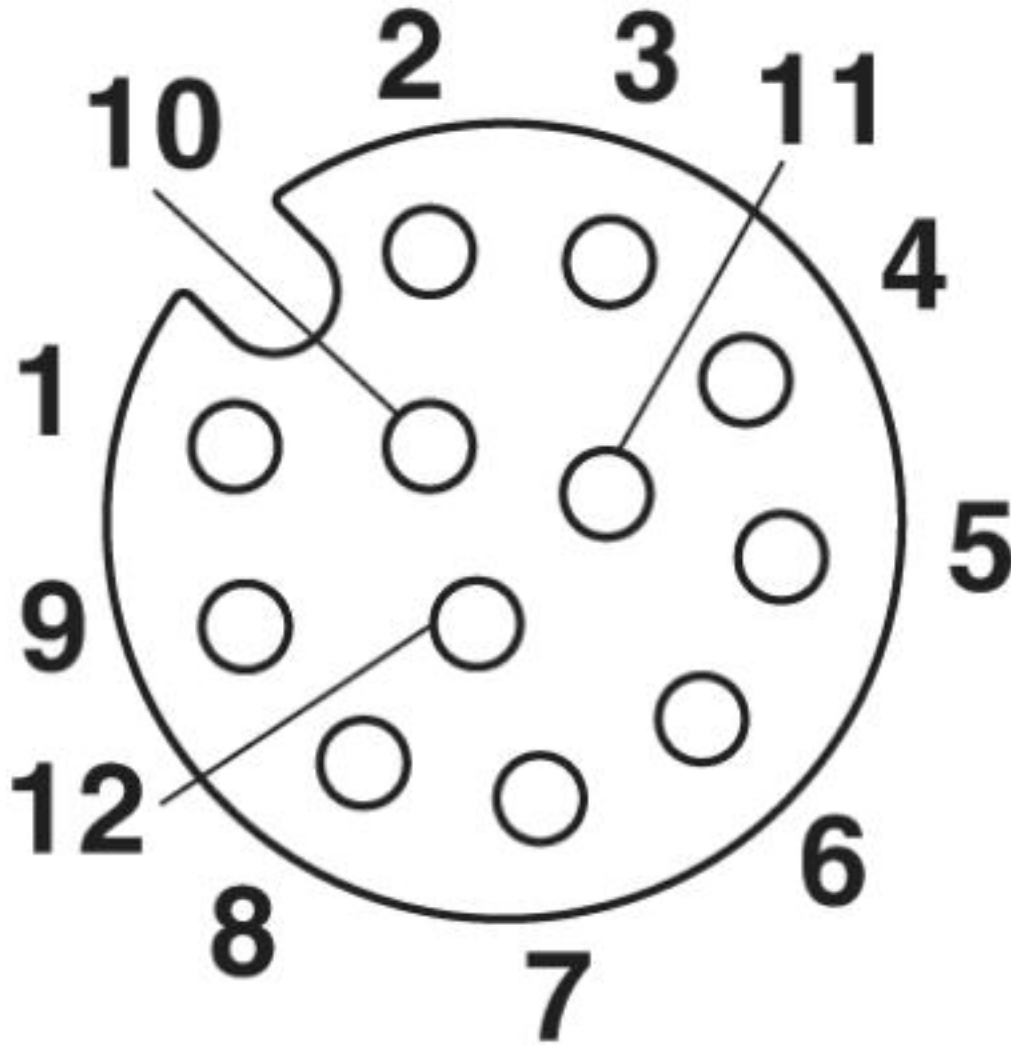
#### Environmental Product Compliance

|            |   |
|------------|---|
| REACH SVHC | Lead 7439-92-1  |
| China RoHS | Environmentally Friendly Use Period = 50 years  |
|            | For details about hazardous substances go to tab "Downloads", Category "Manufacturer's declaration" |

### Drawings

# Flush-type connector - SACC-E-FS-12CON-M16/1,0 SCO - 1401030

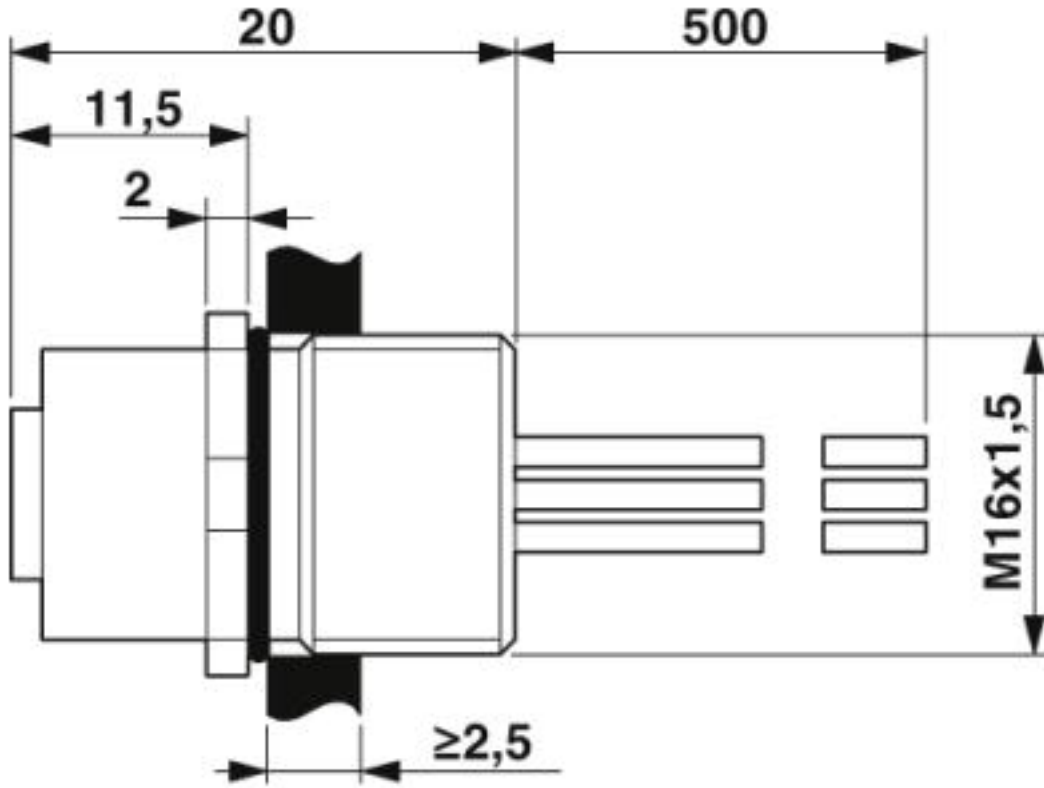
Schematic diagram



Pin assignment M12, 12-pos., female side view

# Flush-type connector - SACC-E-FS-12CON-M16/1,0 SCO - 1401030

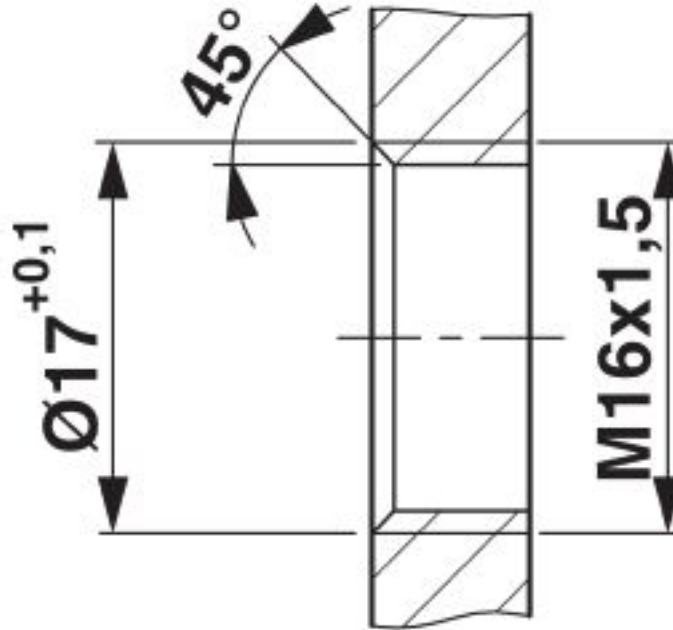
Dimensional drawing



M12 flush-type connector

# Flush-type connector - SACC-E-FS-12CON-M16/1,0 SCO - 1401030

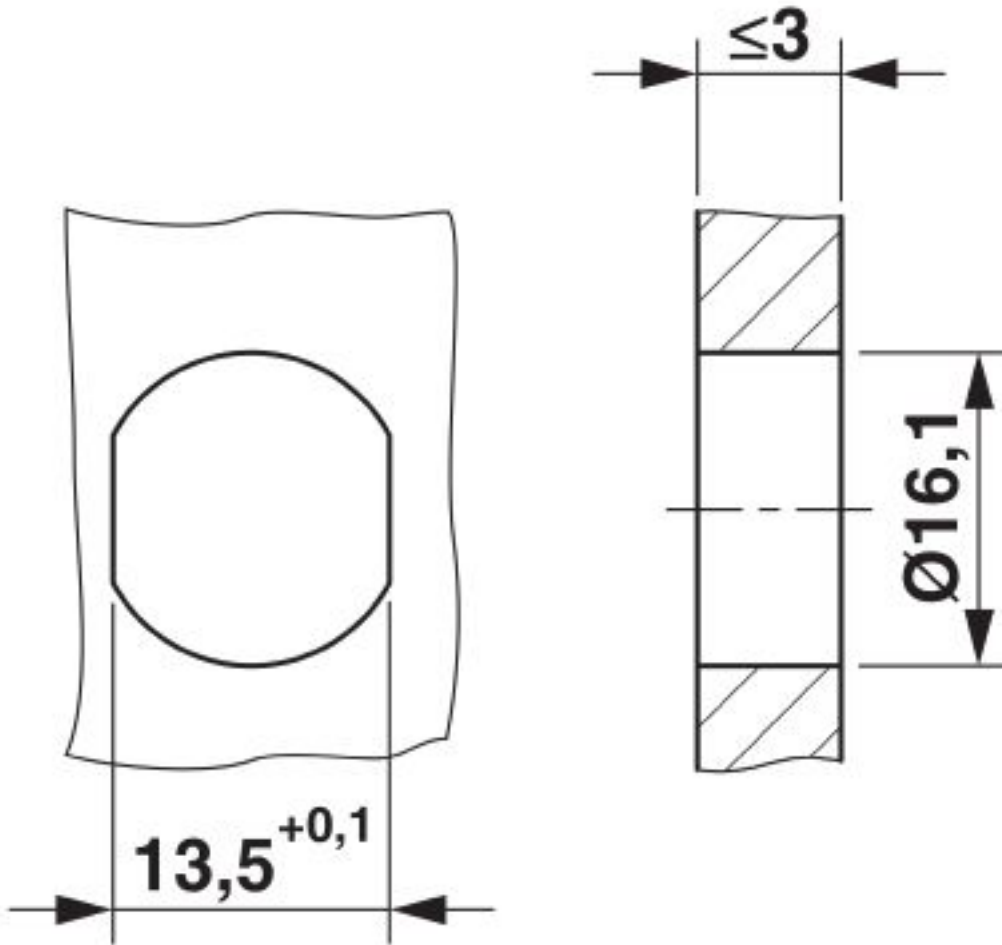
Dimensional drawing



Housing cutout for M16 fastening thread, mounting panel with thread

# Flush-type connector - SACC-E-FS-12CON-M16/1,0 SCO - 1401030

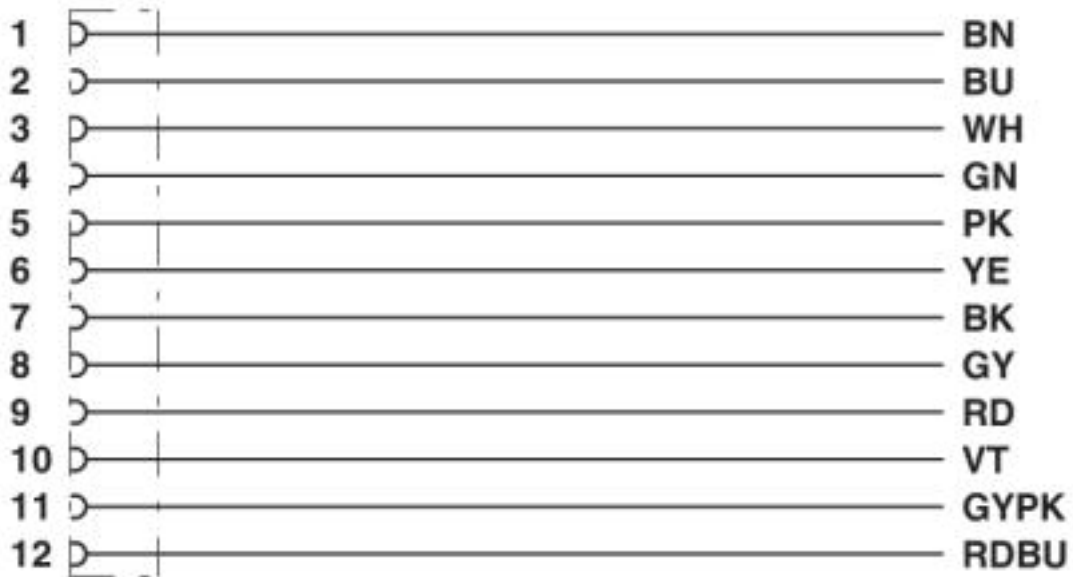
Dimensional drawing



Housing cutout for M16 fastening thread, mounting panel with feed-through hole (alternatively with surface as protection against rotation)

# Flush-type connector - SACC-E-FS-12CON-M16/1,0 SCO - 1401030

Circuit diagram



Contact assignment of the M12 socket

## Classifications

### eCl@ss

|               |          |
|---------------|----------|
| eCl@ss 10.0.1 | 27440102 |
| eCl@ss 4.0    | 27140800 |
| eCl@ss 4.1    | 27140800 |
| eCl@ss 5.0    | 27143400 |
| eCl@ss 5.1    | 27143400 |
| eCl@ss 6.0    | 27279200 |
| eCl@ss 7.0    | 27440103 |
| eCl@ss 8.0    | 27440103 |
| eCl@ss 9.0    | 27440102 |

### ETIM

|          |          |
|----------|----------|
| ETIM 3.0 | EC002061 |
| ETIM 4.0 | EC002061 |
| ETIM 5.0 | EC002061 |
| ETIM 6.0 | EC002061 |

### UNSPSC

|             |          |
|-------------|----------|
| UNSPSC 6.01 | 31251501 |
|-------------|----------|

# Flush-type connector - SACC-E-FS-12CON-M16/1,0 SCO - 1401030

## Classifications

### UNSPSC

|               |          |
|---------------|----------|
| UNSPSC 7.0901 | 31251501 |
| UNSPSC 11     | 31251501 |
| UNSPSC 12.01  | 31251501 |
| UNSPSC 13.2   | 39121413 |
| UNSPSC 18.0   | 39121413 |
| UNSPSC 19.0   | 39121413 |
| UNSPSC 20.0   | 39121413 |
| UNSPSC 21.0   | 39121413 |

## Approvals


### Approvals


Approvals

UL Recognized / EAC

Ex Approvals

### Approval details

|                            |   |   |               |
|----------------------------|---|---|---------------|
| UL Recognized              |  | <a href="http://database.ul.com/cgi-bin/XYV/template/LISEXT/1FRAME/index.htm">http://database.ul.com/cgi-bin/XYV/template/LISEXT/1FRAME/index.htm</a> | FILE E 118976 |
| Nominal voltage UN         | 30 V  |   |               |
| Nominal current IN         | 1.5 A   |   |               |
| mm <sup>2</sup> /AWG/kcmil | 26  |   |               |

|     |   |         |
|-----|---|---------|
| EAC |  | B.01687 |
|-----|---|---------|