

Seal - VS-ASI-FC-SEAL-HP - 1400374

Please be informed that the data shown in this PDF Document is generated from our Online Catalog. Please find the complete data in the user's documentation. Our General Terms of Use for Downloads are valid (<http://phoenixcontact.com/download>)



End sealing for AS-Interface flat-ribbon conductor, can be used on both sides, IP67 degree of protection:

RoHS



Key Commercial Data

Packing unit	1 pc
Minimum order quantity	10 pc
GTIN	 4 046356 495080
GTIN	4046356495080
Weight per Piece (excluding packing)	8.000 g
Custom tariff number	85389099
Country of origin	Poland

Technical data

Dimensions

Length	36 mm
--------	-------

Ambient conditions

Degree of protection	IP67
----------------------	------

General

Torque	2 Nm
--------	------

Material

Sealing material	NBR
Additional material specifications	PA

Seal - VS-ASI-FC-SEAL-HP - 1400374

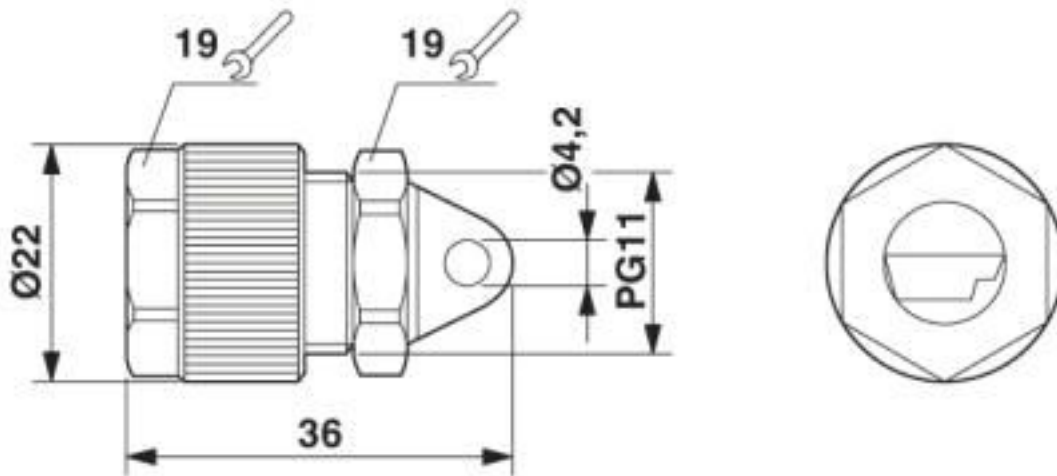
Technical data

Environmental Product Compliance

China RoHS	Environmentally friendly use period: unlimited = EFUP-e
	No hazardous substances above threshold values

Drawings

Dimensional drawing



Classifications

eCl@ss

eCl@ss 10.0.1	27440192
eCl@ss 4.0	27260700
eCl@ss 4.1	27260700
eCl@ss 5.0	27260700
eCl@ss 5.1	27260700
eCl@ss 6.0	27260700
eCl@ss 7.0	27439218
eCl@ss 8.0	27439218
eCl@ss 9.0	27440192

ETIM

ETIM 3.0	EC001121
ETIM 4.0	EC001181
ETIM 5.0	EC001181
ETIM 6.0	EC001181

Seal - VS-ASI-FC-SEAL-HP - 1400374

Classifications

ETIM

ETIM 7.0	EC001181
----------	----------

UNSPSC

UNSPSC 6.01	31261501
UNSPSC 7.0901	31261501
UNSPSC 11	31261501
UNSPSC 12.01	31261501
UNSPSC 13.2	39131608
UNSPSC 18.0	39121421
UNSPSC 19.0	39121421
UNSPSC 20.0	39121421
UNSPSC 21.0	39121421