

Support bracket - AB3/SS - 0800086

Please be informed that the data shown in this PDF Document is generated from our Online Catalog. Please find the complete data in the user's documentation. Our General Terms of Use for Downloads are valid (<http://phoenixcontact.com/download>)



Support bracket, material: PA, color: gray

RoHS

Key Commercial Data

Packing unit	1 STK
Minimum order quantity	10 STK
GTIN	 4 046356 613774
GTIN	4046356613774
Weight per Piece (excluding packing)	10.000 g
Custom tariff number	85472000
Country of origin	China

Technical data

General

Color	gray
Components	free from silicone and halogen
Flammability rating according to UL 94	V0
Material	PA

Standards and Regulations

Flammability rating according to UL 94	V0
--	----

Environmental Product Compliance

China RoHS	Environmentally friendly use period: unlimited = EFUP-e
------------	---

Support bracket - AB3/SS - 0800086

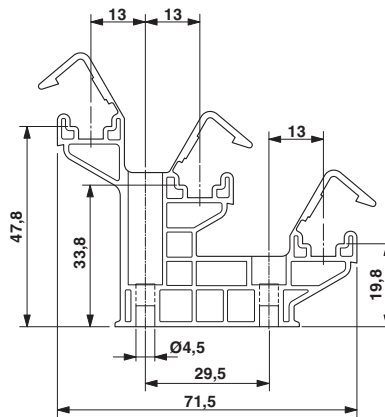
Technical data

Environmental Product Compliance

	No hazardous substances above threshold values
--	--

Drawings

Dimensional drawing



Classifications

eCl@ss

eCl@ss 4.0	23150301
eCl@ss 4.1	23150301
eCl@ss 5.0	27141143
eCl@ss 5.1	27141143
eCl@ss 6.0	27400607
eCl@ss 7.0	27400607
eCl@ss 8.0	27400607
eCl@ss 9.0	27400607

ETIM

ETIM 2.0	EC000761
ETIM 3.0	EC000761
ETIM 4.0	EC002270
ETIM 5.0	EC002270
ETIM 6.0	EC001166

UNSPSC

UNSPSC 6.01	30212109
-------------	----------

Support bracket - AB3/SS - 0800086

Classifications

UNSPSC

UNSPSC 7.0901	39121708
UNSPSC 11	39121708
UNSPSC 12.01	39121708
UNSPSC 13.2	39121708