

## Panel feed-through terminal block - HDFKV 50/Z - 0714095

Please be informed that the data shown in this PDF Document is generated from our Online Catalog. Please find the complete data in the user's documentation. Our General Terms of Use for Downloads are valid (<http://phoenixcontact.com/download>)



Panel feed-through terminal block, Connection method: Screw connection, Load current : 150 A, Cross section: 16 mm<sup>2</sup> - 50 mm<sup>2</sup>, AWG 6 - 1/0, Connection direction of the conductor to plug-in direction: 90 °, Width: 18.8 mm, Color: gray

### Why buy this product

- Easy grouping with engagement pin versions
- Both terminal halves can be easily assembled by simply snapping them together
- Touch-proof insulating housing in a new design
- Automatic compensation of the panel thickness via the snap principle integrated in the insulation housing
- Spacer plates increase clearances and creepage distances
- Universal screw connection with screw locking

### Key Commercial Data

|                                      |                     |
|--------------------------------------|---------------------|
| Packing unit                         | 1 STK               |
| Minimum order quantity               | 10 STK              |
| GTIN                                 | <br>4 046356 180191 |
| GTIN                                 | 4046356180191       |
| Weight per Piece (excluding packing) | 136.000 g           |
| Custom tariff number                 | 85369010            |
| Country of origin                    | Greece              |

### Technical data

#### General

|                       |                    |
|-----------------------|--------------------|
| Number of levels      | 1                  |
| Number of connections | 2                  |
| Nominal cross section | 50 mm <sup>2</sup> |

## Panel feed-through terminal block - HDFKV 50/Z - 0714095

### Technical data

#### General

|  |               |
|--|---------------|
| Color                                  | gray          |
| Insulating material                    | PA            |
| Flammability rating according to UL 94 | V0            |
| Maximum load current                   | 150 A         |
| Rated surge voltage                    | 8 kV          |
| Degree of pollution                    | 3             |
| Overvoltage category                   | III           |
| Insulating material group              | I             |
| Connection in acc. with standard       | IEC 60947-7-1 |
| Nominal current $I_N$                  | 150 A         |
| Maximum load current                   | 150 A         |
| Nominal voltage $U_N$                  | 690 V         |
| Open side panel                        | No            |
| Number of positions                    | 1             |

#### Dimensions

|                 |               |
|-----------------|---------------|
| Width           | 18.8 mm       |
| Length          | 90 mm         |
| Plate thickness | 1 mm ... 6 mm |

#### Connection data

|  |                    |
|--|--------------------|
| Note   | Terminal sleeve    |
| Connection side  | Level 1 ext. 1     |
| Connection method  | Screw connection   |
| Conductor cross section solid min.   | 16 mm <sup>2</sup> |
| Conductor cross section solid max.   | 50 mm <sup>2</sup> |
| Conductor cross section flexible min.                                      | 16 mm <sup>2</sup> |
| Conductor cross section flexible max.                                      | 50 mm <sup>2</sup> |
| Conductor cross section AWG min.   | 6                  |
| Conductor cross section AWG max.   | 1/0                |
| Conductor cross section flexible, with ferrule without plastic sleeve min. | 10 mm <sup>2</sup> |
| Conductor cross section flexible, with ferrule without plastic sleeve max. | 50 mm <sup>2</sup> |
| Conductor cross section flexible, with ferrule with plastic sleeve min.    | 10 mm <sup>2</sup> |
| Conductor cross section flexible, with ferrule with plastic sleeve max.    | 50 mm <sup>2</sup> |
| 2 conductors with same cross section, solid min.                           | 6 mm <sup>2</sup>  |
| 2 conductors with same cross section, solid max.                           | 16 mm <sup>2</sup> |
| 2 conductors with same cross section, stranded min.                        | 10 mm <sup>2</sup> |
| 2 conductors with same cross section, stranded max.                        | 16 mm <sup>2</sup> |

# Panel feed-through terminal block - HDFKV 50/Z - 0714095

## Technical data

### Connection data

|   |                    |
|---|--------------------|
| 2 conductors with same cross section, stranded, ferrules without plastic sleeve, min.   | 6 mm <sup>2</sup>  |
| 2 conductors with same cross section, stranded, ferrules without plastic sleeve, max.   | 16 mm <sup>2</sup> |
| 2 conductors with same cross section, stranded, TWIN ferrules with plastic sleeve, min. | 6 mm <sup>2</sup>  |
| 2 conductors with same cross section, stranded, TWIN ferrules with plastic sleeve, max. | 10 mm <sup>2</sup> |
| Stripping length  | 24 mm              |
| Internal cylindrical gage   | B10                |
| Screw thread  | M6                 |
| Tightening torque, min  | 6 Nm               |
| Tightening torque max   | 8 Nm               |

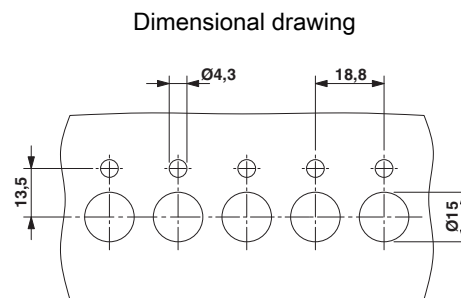
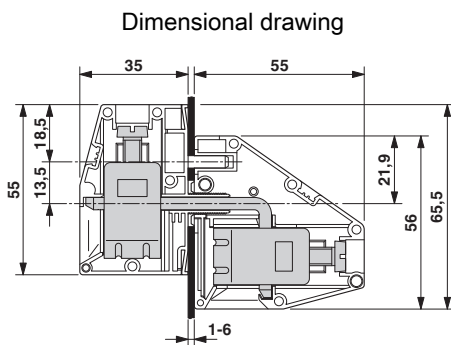
### Standards and Regulations

|  |               |
|--|---------------|
| Connection in acc. with standard       | CSA           |
|  | IEC 60947-7-1 |
| Flammability rating according to UL 94 | V0            |

### Environmental Product Compliance

|            |   |
|------------|---|
| China RoHS | Environmentally friendly use period: unlimited = EFUP-e |
|            | No hazardous substances above threshold values          |

## Drawings



## Classifications

eCl@ss

|            |          |
|------------|----------|
| eCl@ss 4.0 | 27141131 |
| eCl@ss 4.1 | 27141131 |
| eCl@ss 5.0 | 27141134 |

# Panel feed-through terminal block - HDFKV 50/Z - 0714095

## Classifications

### eCl@ss

|            |          |
|------------|----------|
| eCl@ss 5.1 | 27141134 |
| eCl@ss 6.0 | 27141134 |
| eCl@ss 7.0 | 27141134 |
| eCl@ss 8.0 | 27141134 |
| eCl@ss 9.0 | 27141134 |

### ETIM

|          |          |
|----------|----------|
| ETIM 2.0 | EC001283 |
| ETIM 3.0 | EC001283 |
| ETIM 4.0 | EC001283 |
| ETIM 5.0 | EC001283 |
| ETIM 6.0 | EC001283 |

### UNSPSC

|               |          |
|---------------|----------|
| UNSPSC 6.01   | 30211811 |
| UNSPSC 7.0901 | 39121410 |
| UNSPSC 11     | 39121410 |
| UNSPSC 12.01  | 39121410 |
| UNSPSC 13.2   | 39121410 |

## Approvals


### Approvals

#### Approvals

CSA / UL Recognized / PRS / EAC

#### Ex Approvals


### Approval details


|                            |   |   |       |
|----------------------------|---|---|-------|
| CSA                        |  | <a href="http://www.csagroup.org/services/testing-and-certification/certified-product-listing/">http://www.csagroup.org/services/testing-and-certification/certified-product-listing/</a> | 13631 |
|                            | B   | C   |       |
| mm <sup>2</sup> /AWG/kcmil | 6-1/0   | 6-1/0   |       |
| Nominal current IN         | 125 A   | 125 A   |       |

## Panel feed-through terminal block - HDFKV 50/Z - 0714095

### Approvals

|                    |       |       |
|--------------------|-------|-------|
|                    | B     | C     |
| Nominal voltage UN | 600 V | 600 V |

|                            |   |   |                 |
|----------------------------|---|---|-----------------|
| UL Recognized              |  | <a href="http://database.ul.com/cgi-bin/XYV/template/LISEXT/1FRAME/index.htm">http://database.ul.com/cgi-bin/XYV/template/LISEXT/1FRAME/index.htm</a> | E60425-19890329 |
|                            | B   | C   |                 |
| mm <sup>2</sup> /AWG/kcmil | 6-2/0   | 6-2/0   |                 |
| Nominal current IN         | 170 A   | 170 A   |                 |
| Nominal voltage UN         | 600 V   | 600 V   |                 |

|     |   |   |                   |
|-----|---|---|-------------------|
| PRS |  | <a href="http://www.prs.pl/">http://www.prs.pl/</a> | TE/1825/880590/09 |
|-----|---|---|-------------------|

|     |  |  |         |
|-----|--|--|---------|
| EAC |  |  | B.01742 |
|-----|--|--|---------|

### Accessories

#### Accessories

##### End cover

Spacer plate - DP-HDFK 50/7,2 - 0709990



Spacer plate

##### Labeled terminal marker

Marker for terminal blocks - UC-TM 16 CUS - 0824621



Marker for terminal blocks, can be ordered: by sheet, white, labeled according to customer specifications, Mounting type: Snap into tall marker groove, for terminal block width: 16 mm, Lettering field: 15.45 x 10.5 mm

## Panel feed-through terminal block - HDFKV 50/Z - 0714095

### Accessories

Zack Marker strip, flat - ZBF 16 CUS - 0827465



Zack Marker strip, flat, can be ordered: Strip, white, labeled according to customer specifications, Mounting type: Snap into flat marker groove, for terminal block width: 16 mm, Lettering field: 5.15 x 16 mm

---

### Mounting material

Insertion profile - UKH 50 EP - 3009228



Insertion profile, Color: silver

---

### Screwdriver tools

Screwdriver - SZS 1,2X8,0 VDE - 1205082



Screwdriver, slot-headed, VDE insulated, size: 1.2 x 8.0 x 175 mm, 2-component grip, with non-slip grip

---

### Terminal marking

Marker for terminal blocks - UC-TM 16 - 0819217



Marker for terminal blocks, Sheet, white, unlabeled, can be labeled with: BLUEMARK CLED, BLUEMARK LED, Plotter, THERMOMARK CARD, THERMOMARK PRIME, Mounting type: Snap into tall marker groove, for terminal block width: 16 mm, Lettering field: 15.45 x 10.5 mm

## Panel feed-through terminal block - HDFKV 50/Z - 0714095

### Accessories

Zack marker strip - ZB 16:UNPRINTED - 0827461



Zack marker strip, Strip, white, unlabeled, can be labeled with: Plotter, Mounting type: Snap into tall marker groove, for terminal block width: 16 mm, Lettering field: 16 x 10.5 mm

---

Zack marker strip - ZB 12:UNPRINTED - 0812120



Zack marker strip, Strip, white, unlabeled, can be labeled with: Plotter, Mounting type: Snap into tall marker groove, for terminal block width: 12.2 mm, Lettering field: 12 x 10.5 mm