

Connection terminal block - AKG 4 BU - 0421016


Please be informed that the data shown in this PDF Document is generated from our Online Catalog. Please find the complete data in the user's documentation. Our General Terms of Use for Downloads are valid (<http://phoenixcontact.com/download>)



Connection terminal block, Connection method Screw connection, Cross section: 0.5 mm² - 6 mm², Width: 7 mm, Color: blue



Key Commercial Data

Packing unit	1 pc
Minimum order quantity	50 pc
GTIN	 4 017918 001919
Weight per Piece (excluding packing)	5.57 g
Custom tariff number	85369010
Country of origin	Germany

Technical data

General

Color	blue
Insulating material	PA
Nominal cross section	4 mm ²
Flammability rating according to UL 94	V2
Nominal current I _N	41 A
Maximum load current	41 A (with 6 mm ² conductor cross section)
Nominal voltage U _N	300 V
Result of the test for mechanical stability of terminal points (5 x conductor connection)	Test passed
Result of bending test	Test passed
Bending test rotation speed	10 rpm
Bending test turns	135

Connection terminal block - AKG 4 BU - 0421016

Technical data

General

Bending test conductor cross section/weight	0.5 mm ² / 0.3 kg
	4 mm ² / 0.9 kg
	6 mm ² / 1.4 kg
Tensile test result	Test passed
Conductor cross section tensile test	0.5 mm ²
Tractive force setpoint	30 N
Conductor cross section tensile test	4 mm ²
Tractive force setpoint	60 N
Conductor cross section tensile test	6 mm ²
Tractive force setpoint	80 N
Result of voltage-drop test	Test passed
Requirements, voltage drop	≤ 3.2 mV
Result of temperature-rise test	Test passed
Short circuit stability result	Test passed
Conductor cross section short circuit testing	4 mm ²
Short-time current	0.48 kA
Relative insulation material temperature index (Elec., UL 746 B)	125 °C
Temperature index of insulation material (DIN EN 60216-1 (VDE 0304-21))	125 °C

Dimensions

Length	23.7 mm
Width	7 mm

Connection data

Conductor cross section solid min.	0.5 mm ²
Conductor cross section solid max.	6 mm ²
Conductor cross section flexible min.	0.5 mm ²
Conductor cross section flexible max.	4 mm ²
Conductor cross section AWG min.	20
Conductor cross section AWG max.	10
Conductor cross section flexible, with ferrule without plastic sleeve min.	0.5 mm ²
Conductor cross section flexible, with ferrule without plastic sleeve max.	6 mm ²
Conductor cross section flexible, with ferrule with plastic sleeve min.	0.5 mm ²
Conductor cross section flexible, with ferrule with plastic sleeve max.	6 mm ²
2 conductors with same cross section, solid min.	0.5 mm ²
2 conductors with same cross section, solid max.	2.5 mm ²
2 conductors with same cross section, stranded min.	0.5 mm ²
2 conductors with same cross section, stranded max.	2.5 mm ²

Connection terminal block - AKG 4 BU - 0421016

Technical data

Connection data

2 conductors with same cross section, stranded, ferrules without plastic sleeve, min.	0.5 mm ²
2 conductors with same cross section, stranded, ferrules without plastic sleeve, max.	2.5 mm ²
2 conductors with same cross section, stranded, TWIN ferrules with plastic sleeve, min.	0.5 mm ²
2 conductors with same cross section, stranded, TWIN ferrules with plastic sleeve, max.	2.5 mm ²
Connection method	Screw connection
Stripping length	16 mm
Screw thread	M4
Tightening torque, min	1.5 Nm
Tightening torque max	1.8 Nm

Standards and Regulations

Connection in acc. with standard	CUL
Flammability rating according to UL 94	V2

Classifications

eCl@ss

eCl@ss 4.0	27141131
eCl@ss 4.1	27141131
eCl@ss 5.0	27141131
eCl@ss 5.1	27141131
eCl@ss 6.0	27141120
eCl@ss 7.0	27141120
eCl@ss 8.0	27141146
eCl@ss 9.0	27141120

ETIM

ETIM 2.0	EC000897
ETIM 3.0	EC000897
ETIM 4.0	EC000897
ETIM 5.0	EC000001

UNSPSC

UNSPSC 6.01	30211811
UNSPSC 7.0901	39121410
UNSPSC 11	39121410

Connection terminal block - AKG 4 BU - 0421016

Classifications

UNSPSC

UNSPSC 12.01	39121410
UNSPSC 13.2	39121410

Approvals

Approvals

Approvals

UL Recognized / cUL Recognized / EAC / EAC / CSA / cULus Recognized

Ex Approvals

Approvals submitted

Approval details

UL Recognized		
	B	C
mm ² /AWG/kcmil	22-12	22-12
Nominal current I _N	20 A	20 A
Nominal voltage U _N	250 V	300 V


cUL Recognized		
	B	C
mm ² /AWG/kcmil	22-12	22-12
Nominal current I _N	20 A	20 A
Nominal voltage U _N	250 V	300 V

EAC

EAC

Connection terminal block - AKG 4 BU - 0421016

Approvals

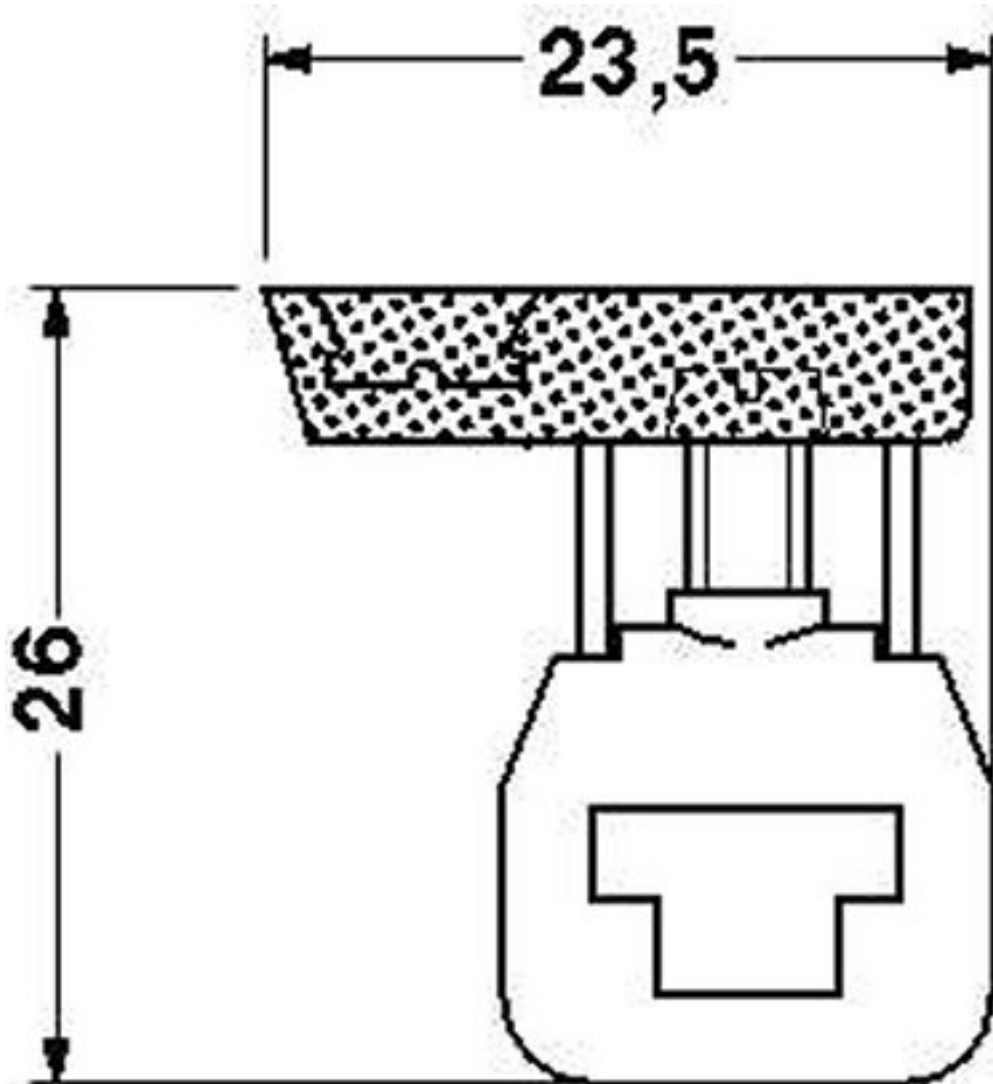
CSA 	
mm ² /AWG/kcmil	22-12
Nominal current I _N	20 A

cULus Recognized  US	
---	--

Drawings

Connection terminal block - AKG 4 BU - 0421016

Dimensional drawing



Connection terminal block - AKG 4 BU - 0421016

Dimensional drawing

