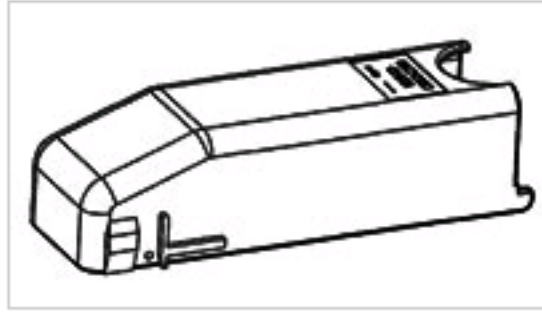


# 1393454-6 Product Details

[Share](#) [Print](#) [Email](#)


## Timer Connectors & Accessories

V23542C1052Z100=52P COVER

**1393454-6**

TE Internal Number: 1393454-6

Active

[View 3D PDF](#)

**Product Highlights** [View All](#)

- Accessory
- Accessory Type = Backshell/Cable Clamp
- Type of Connector = 1.6/2.8, Hybrid Timer, JPT/Micro Timer 2
- 52 Positions
- PBT Material

- [Pricing & Availability](#)
- [Request Sample](#)
- [Add to My Part List](#)
- [Buy Product through Distributor](#)

Feedback

[Documents](#) | [Features](#) | [Compliance](#)

**Please Note:**  
Use the Product Drawing for all design activity

Product Type Features	
Product Type	Accessory
Accessory Type	Backshell/Cable Clamp
Type of Connector	1.6/2.8, Hybrid Timer, JPT/Micro Timer 2
Color	Black
Body Features	
Material	PBT
Cable Exit Angle	90°
Configuration Features	
Number of Positions	52

Industry Standards	
RoHS/ELV Compliance	RoHS compliant, ELV compliant
Lead Free Solder Processes	Not relevant for lead free process
RoHS/ELV Compliance History	Always was RoHS compliant
Conditions for Usage	
For Use With	MT-2/JPT Connector, 1393450-1
Other	
Brand	AMP
Comment	Customer marking, see drawing.
Node Classification	Automotive Connector Caps & Covers

**Related Products**

Not quite the product you're looking for?  
[Find Similar Products](#)

[View Part in Product Feature Selector](#)

[Check for Tooling](#)