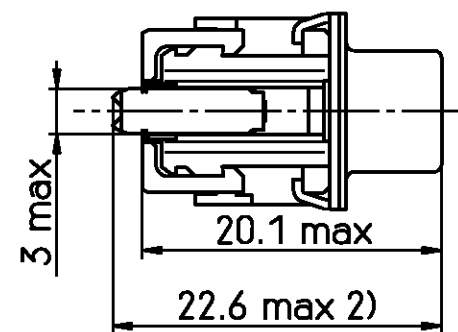
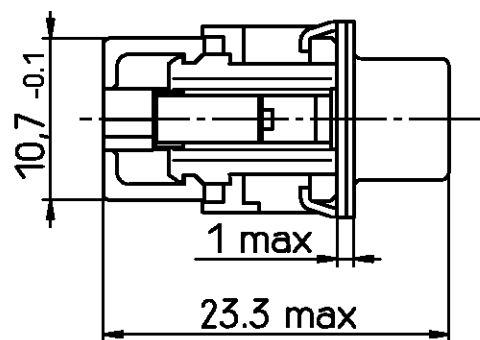
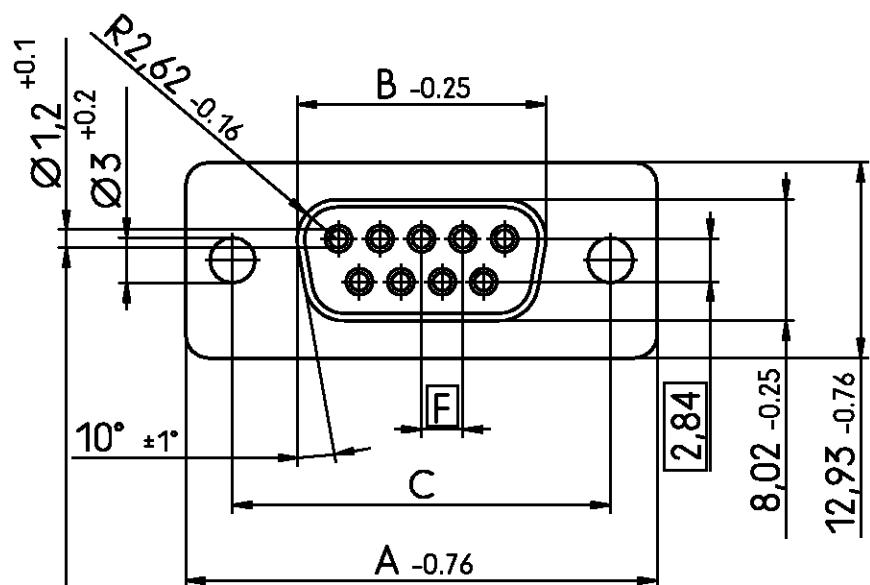


THIS INFORMATION IS CONFIDENTIAL AND PROPRIETARY TO TYCO ELECTRONICS CORPORATION AND ITS WORLDWIDE SUBSIDIARIES AND AFFILIATES. IT MAY NOT BE DISCLOSED TO ANYONE, OTHER THAN TYCO ELECTRONICS PERSONNEL, WITHOUT WRITTEN AUTHORIZATION FROM TYCO ELECTRONICS CORPORATION, HARRISBURG PENNSYLVANIA USA

Standardausführung: V42254-A5235-B***
 standard version: V42254-A5235-B***

Maße mit Oberteil
 im vorgerasteten Zustand
 dimensions with press-on
 cover prelatched

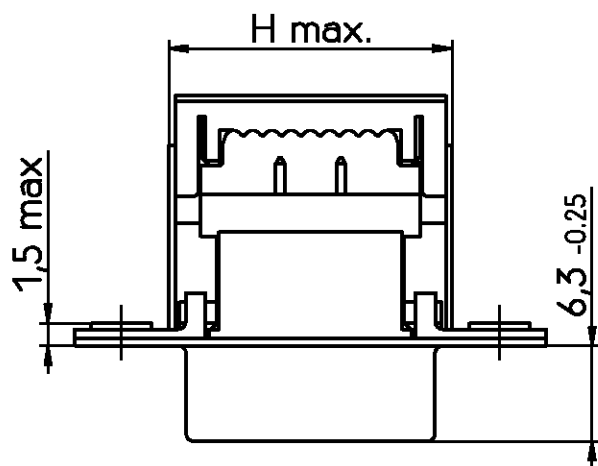
Maße mit Oberteil im verpreßten Zustand und montierten
 Zugentlastungsbügel (standardmäßig nicht mitgeliefert)
 dimensions with press-on cover pressed down and with mounted
 strain relief clamp (not standard included)



zu verwenden Zugentlastungsbügel:
 strain relief clamp to use:

- 9 p.: V42254-A4000-D9
4-1393560-3
- 15 p.: V42254-A4000-D15
4-1393560-5
- 25 p.: V42254-A4000-D25
4-1393560-6
- 37 p.: V42254-A4000-D37
4-1393560-7

alle Kontakte
 all contacts



Gesamtleiter- querschnitt mm ² overall conductor cross-sectional area mm ²	AWG- Bereich AWG range	Gesamtleiter- durchmesser mm overall conductor diameter mm	Anzahl der Einzellitzen no. of single stranded wires	Leiter // conductor	Isolierhülle insulating sleeve	
					Durchmesser diameter	Material
-	30	0.25 ³⁾	1	Massiv // solid	1 => 1.1 max	PVC
-	28	0.32 ³⁾	1	Massiv // solid	0.8 => 1.1 max	PVC
0.09 ³⁾	28	-	7	Litze // stranded	0.8 => 1.1 max	PVC
0.14	26	-	7	Litze // stranded	0.8 => 1.1 max	PVC

Sachnr. ordering code V42254-A523*-	Polzahl no. of contacts	dimension Maß				
		A	B	C	F	H
B*09	09	31.19	16.46	25.0 ^{+0.12} _{-0.13}	2.74	18.73
B*15	15	39.52	24.79	33.3 ^{+0.15} _{-0.1}	2.74	27.26
B*25	25	53.42	38.5	47.04 ^{+0.13} _{-0.13}	2.76	40.78
B*37	37	69.7	54.96	63.5 ^{+0.13} _{-0.13}	2.76	57.44

Zu verwendende Leitungen // cables to be used

Flachbandkabel // ribbon cable
 Verwendet werden können alle // all commercially available
 handelsüblichen Kabel mit: // cables with:

- einer Isolierhülle aus PVC // - insulation sleeve made of PVC
- verzinnnten oder versilberten // - tin-coated or silver-plated
Kupferdrähten // copper wires

Anforderungsstufe
 performance level 1)

3) nur mit Zugentlastungsbügel verwenden
 2) Maße mit Zugentlastungsbügel
 1) nach DIN 41652 T.2 und T.4

3) only to use with strain relief clamp
 2) dimensions with strain relief clamp
 1) according to DIN 41652 p.2 and p.4

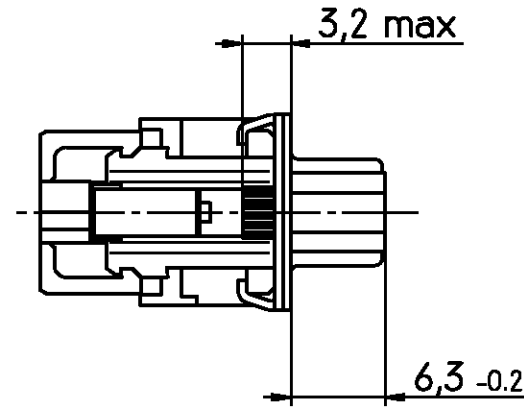
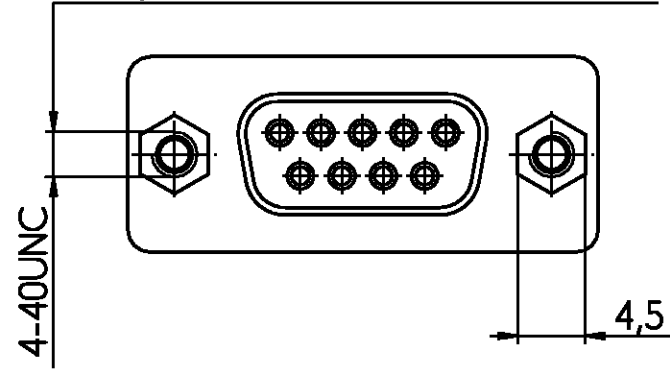
dargestellt wird die 9-polige
 Ausführung
 drawn is the 9-contacts
 version

tyco TYCO ELECTRONICS CORPORATION		SCALE 2:1		WEIGHT	
OOSTKAMP - BELGIUM		DIMENSIONS IN MM		MATERIAL	
DATE 06.05.91		PART NAME		Sub-D Schneidklemmanschluß	
NAME Sterckx		Buchsleiste (für Flachleitungen / in Blister)		D-Sub IDC	
DEP. PE Com PE&SE		PART NO.		V42254-A523*-B***-*-27	
C	EH01-1172-03	07 OCT 03	KV	SHT. 1+	
B	SR10-0227-01	31 MAY 01	KV	OF 4	
A	WO00/7020	28 AUG 00	KV		
05	WO96/2536	20.09.96	DG	TOLERANCE UNLESS SPECIFIED OTHERWISE	
04	WO94/155	28.03.94	RST		
REV.	CHANGE ORDER	DATE	APP.	Customer Drawing Nr. C 8-1393485-7	

PROPRIETARY:

mit Gewindebolzen: V42254-A5236-B***
with screwlock stud bolts: V42254-A5238-B***

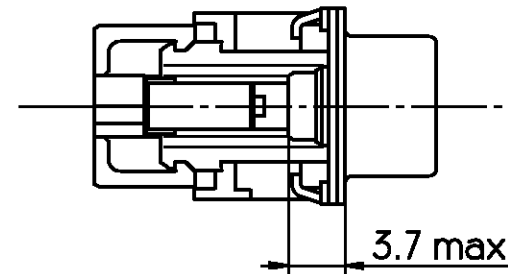
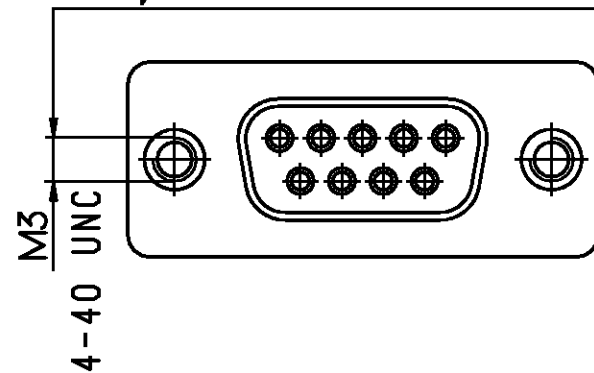
Verdrehsicherheit \geq 70 Ncm
torque retention \geq 70 Ncm



mit Stop-Mutter :
with self locking nuts:

M3: V42254-A5234-B*** 4-40UNC: V42254-A5232-B***
V42254-A5239-B*** V42254-A5233-B***

Verdrehsicherheit \geq 70 Ncm
torque retention \geq 70 Ncm



dargestellt wird die 9-polige Ausführung
drawn is the 9-contacts version

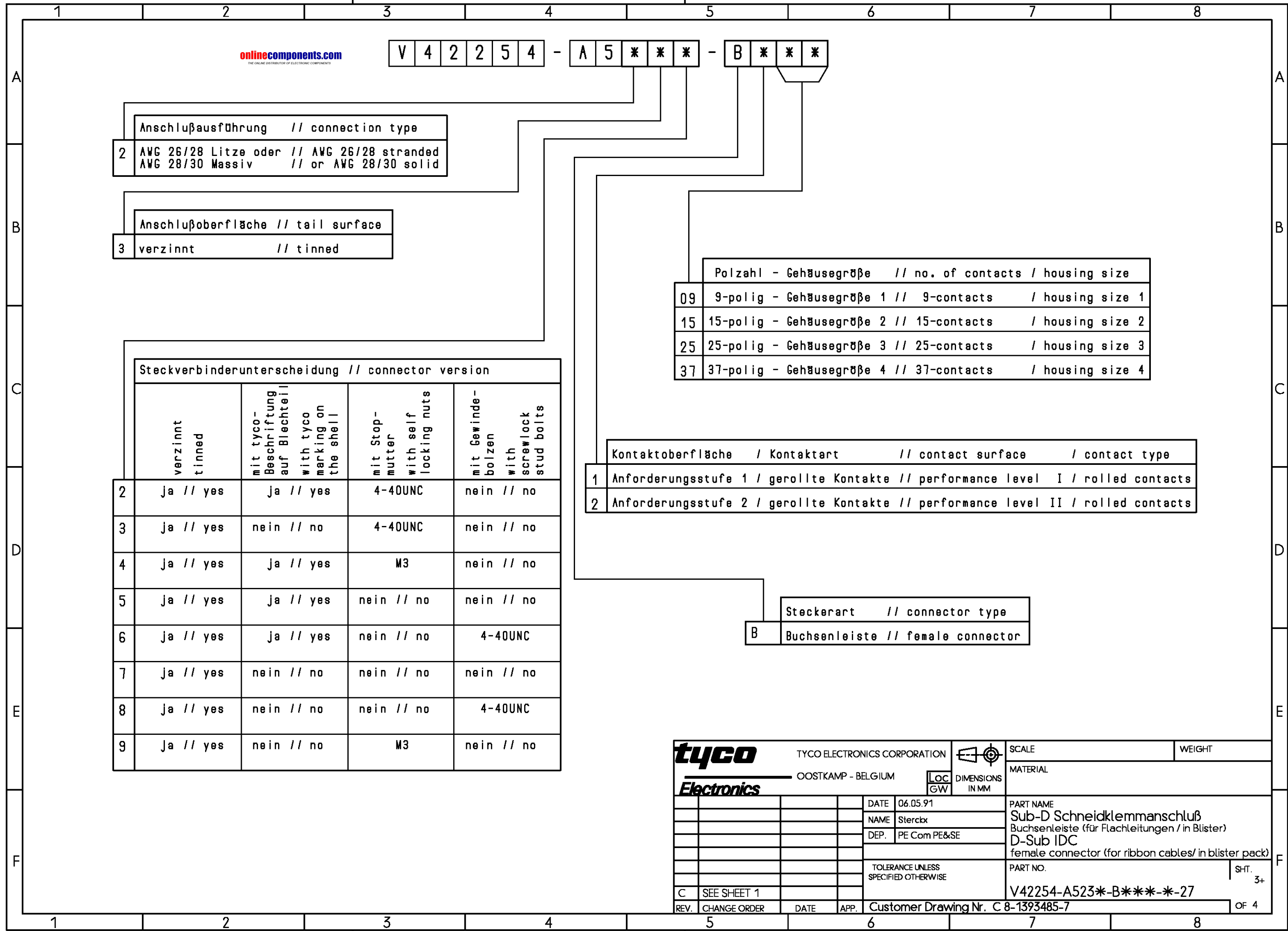
tyco		TYCO ELECTRONICS CORPORATION		SCALE 2:1		WEIGHT	
Electronics		OOSTKAMP - BELGIUM		DIMENSIONS IN MM		MATERIAL	
REV. C		SEE SHEET 1		DATE 06.05.91		PART NAME	
REV.		CHANGE ORDER		NAME Sterckx		Sub-D Schneidklemmanschluß	
REV.		DATE		DEP. PE Com PE&SE		Buchsenleiste (für Flachleitungen / in Blister)	
REV.		APP.		TOLERANCE UNLESS SPECIFIED OTHERWISE		D-Sub IDC	
REV.		DATE		TOLERANCE UNLESS SPECIFIED OTHERWISE		female connector (for ribbon cables/ in blister pack)	
REV.		APP.		Customer Drawing Nr. C 8-1393485-7		PART NO.	
REV.		DATE		Customer Drawing Nr. C 8-1393485-7		V42254-A523*-B***-*-27	
REV.		DATE		Customer Drawing Nr. C 8-1393485-7		SHT. 2+	
REV.		DATE		Customer Drawing Nr. C 8-1393485-7		OF 4	

THIS INFORMATION IS CONFIDENTIAL AND PROPRIETARY TO TYCO ELECTRONICS CORPORATION AND ITS WORLDWIDE SUBSIDIARIES AND AFFILIATES. IT MAY NOT BE DISCLOSED TO ANYONE, OTHER THAN TYCO ELECTRONICS PERSONNEL, WITHOUT WRITTEN AUTHORIZATION FROM TYCO ELECTRONICS CORPORATION, HARRISBURG PENNSYLVANIA USA

PROPRIETARY:

THIS INFORMATION IS CONFIDENTIAL AND PROPRIETARY TO TYCO ELECTRONICS CORPORATION AND ITS WORLDWIDE SUBSIDIARIES AND AFFILIATES. IT MAY NOT BE DISCLOSED TO ANYONE, OTHER THAN TYCO ELECTRONICS PERSONNEL, WITHOUT WRITTEN AUTHORIZATION FROM TYCO ELECTRONICS CORPORATION, HARRISBURG PENNSYLVANIA USA

PROPRIETARY:



onlinecomponents.com
THE ONLINE DISTRIBUTOR OF ELECTRONIC COMPONENTS

V 4 2 2 5 4 - A 5 * * * - B * * *

Anschlußausführung // connection type
2 AWG 26/28 Litze oder // AWG 26/28 stranded
AWG 28/30 Massiv // or AWG 28/30 solid

Anschlußoberfläche // tail surface
3 verzinkt // tinned

Polzahl - Gehäusegröße // no. of contacts / housing size	
09	9-polig - Gehäusegröße 1 // 9-contacts / housing size 1
15	15-polig - Gehäusegröße 2 // 15-contacts / housing size 2
25	25-polig - Gehäusegröße 3 // 25-contacts / housing size 3
37	37-polig - Gehäusegröße 4 // 37-contacts / housing size 4

Steckverbinderunterscheidung // connector version				
	verzinkt tinned	mit tyco- Beschriftung auf Blechteil with tyco marking on the shell	mit Stop- mutter with self locking nuts	mit Gewinde- bolzen with screwlock stud bolts
2	Ja // yes	Ja // yes	4-40UNC	nein // no
3	Ja // yes	nein // no	4-40UNC	nein // no
4	Ja // yes	Ja // yes	M3	nein // no
5	Ja // yes	Ja // yes	nein // no	nein // no
6	Ja // yes	Ja // yes	nein // no	4-40UNC
7	Ja // yes	nein // no	nein // no	nein // no
8	Ja // yes	nein // no	nein // no	4-40UNC
9	Ja // yes	nein // no	M3	nein // no

Kontaktfläche / Kontaktart // contact surface / contact type	
1	Anforderungsstufe 1 / gerollte Kontakte // performance level I / rolled contacts
2	Anforderungsstufe 2 / gerollte Kontakte // performance level II / rolled contacts

Steckerart // connector type
B Buchsenleiste // female connector

tyco TYCO ELECTRONICS CORPORATION				SCALE	WEIGHT
OOSTKAMP - BELGIUM		LOC DIMENSIONS IN MM		MATERIAL	
DATE	06.05.91	PART NAME		Sub-D Schneidklemmanschluß	
NAME	Sterckx	PART NO.		V42254-A523*-B***-*-27	
DEP.	PE Com PE&SE	TOLERANCE UNLESS SPECIFIED OTHERWISE		SHT. 3+	
REV. C	SEE SHEET 1	Customer Drawing Nr. C 8-1393485-7		OF 4	

Active part numbers. Contact Tyco Electronics for other configuration availability

Old Part Number	Tyco Part Number
V42254-A5232-B209	8-1393485-7
V42254-A5232-B215	8-1393485-8
V42254-A5232-B225	8-1393485-9
V42254-A5232-B237	9-1393485-0
V42254-A5234-B115	2-1392010-3
V42254-A5234-B209	0-1393486-9
V42254-A5234-B215	1-1393486-0
V42254-A5234-B225	1-1393486-1
V42254-A5234-B237	1-1393486-2
V42254-A5235-B109	3-1393486-0
V42254-A5235-B115	3-1393486-1
V42254-A5235-B125	3-1393486-2
V42254-A5235-B209	3-1393486-4
V42254-A5235-B215	3-1393486-5
V42254-A5235-B225	3-1393486-6
V42254-A5235-B237	3-1393486-7
V42254-A5237-B209	8-1393486-4
V42254-A5237-B215	8-1393486-6
V42254-A5237-B225	8-1393486-8
V42254-A5237-B237	9-1393486-0

THIS INFORMATION IS CONFIDENTIAL AND PROPRIETARY TO TYCO ELECTRONICS CORPORATION AND ITS WORLDWIDE SUBSIDIARIES AND AFFILIATES. IT MAY NOT BE DISCLOSED TO ANYONE, OTHER THAN TYCO ELECTRONICS PERSONNEL, WITHOUT WRITTEN AUTHORIZATION FROM TYCO ELECTRONICS CORPORATION, HARRISBURG, PENNSYLVANIA USA.

PROPRIETARY:

A

B

C

D

E

F



Tyco Electronics Corporation

Oostkamp - Belgium



LOC DIMENSIONS IN MM

DATE	06.05.91
NAME	Sterckx
DEP.	PE Com PE&SE

SCALE

WEIGHT

MATERIAL

PART NAME
Sub-D Schneidklemmanschluss
Buchsenleiste (for Flachleitungen / in Blister)
D-Sub IDC
female connector (for ribbon cables/ in blister pack)

PART NO.
V42254-A523*-B***-*-27

SHT. 4-

REV. C	CHANGE ORDER	DATE	APP.	Customer Drawing Nr. C 8-1393485-7	1	2	3	4
--------	--------------	------	------	------------------------------------	---	---	---	---